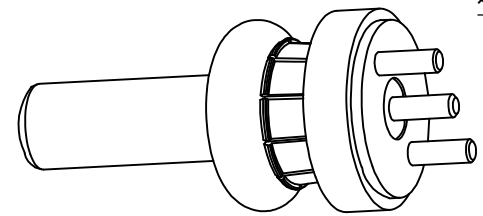
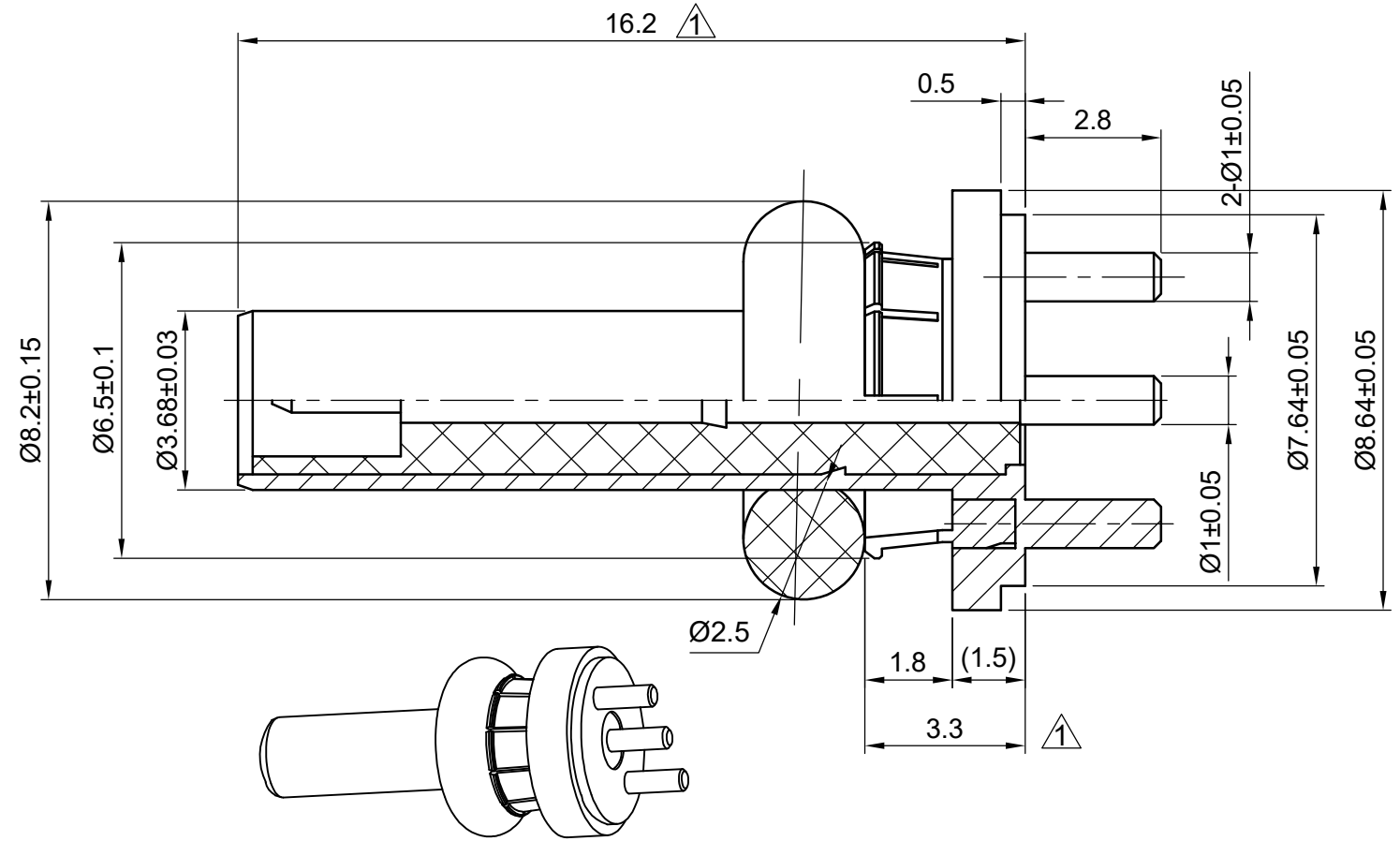
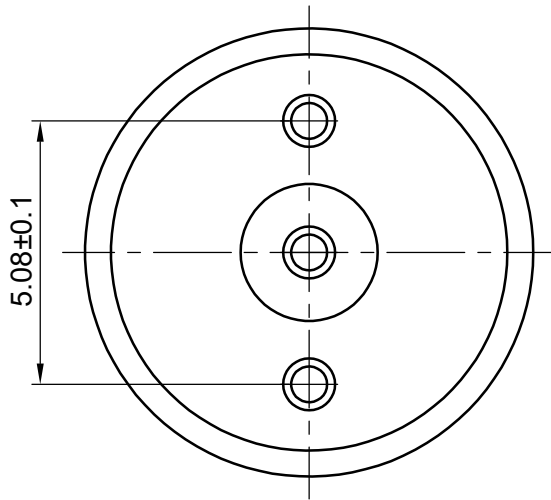




REV	Revision Note	DATE	DRAWN	APPROVED
△	Change dimensions	23.03.01		




NOTES:

1. Temperature range: -45~+85°C;
2. Characteristic impedance: 50Ω;
3. Frequency range: DC~4GHz;
4. Dielectric withstanding voltage: 750V rms;
5. Working Voltage: 335V;
5. Insulation resistance: ≥1000MΩ;
6. VSWR: ≤1.2 (DC~3GHz);
7. Durability: 500 cycles;
8. Salt spray: 48h
9. RoHs compliant.

NO.	Description	Material	Finish	Q'TY
5	O-Ring	Gasket		1
4	Spring	Beryllium bronze	Gold	1
3	Body	Brass	Alloy	1
2	Insulators	PTFE		1
1	Center Contact	Brass	Gold	1

Materials and surface treatment

Unless otherwise specified tolerance	
>120~400	±1.0
>30~120	±0.6
>6~30	±0.4
0.5~6	±0.2
Ang	±1°
UNITS: mm	
VIEW PROJECTION:	



常州市新盛电器有限公司
Changzhou XinSheng Electronics CO.,LTD.

TITLE:	SMB Male Connector With Gasket and Spring For PCB	SCALE:	1:1
Designed:	DJ.Dong	DWG NO.:	
Checked:	DJ.Dong	PART NO.:	
Approved:	ZB.Bai	REV:	A
Date:	22.03.28		