

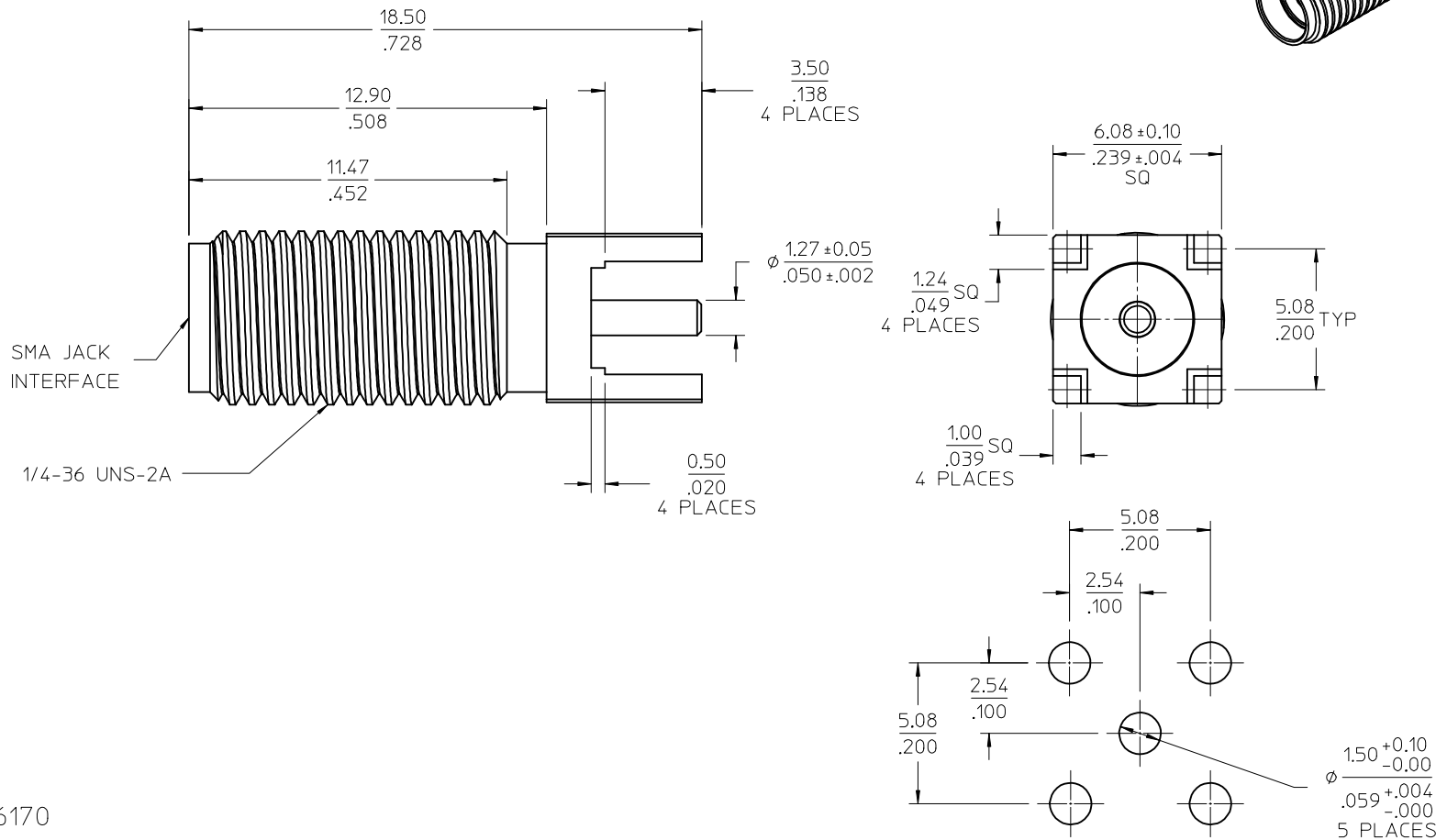
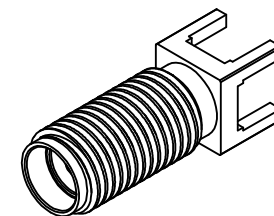
MATERIALS AND FINISHES

BODY: BRASS
PLATED GOLD

CENTER CONTACT: PHOSPHOR BRONZE
PLATED GOLD

INSULATOR: TEFLON

PACKAGING: BY TRAY



PART # 73251-6170

MIL-STD-348A, FIG. 310.2	INTERFACE
SPECIFICATION	DESCRIPTION

NEW RELEASED PER PDR13091423 EC NO: URF2014-0254	DRWN:CWE102 2013/09/12	QUALITY SYMBOLS	GENERAL TOLERANCES (UNLESS SPECIFIED)	DIMENSION STYLE	SCALE	DESIGN UNITS	THIRD ANGLE PROJECTION
CHKD: APPR:MHUANG	2013/11/15	▽=0	mm INCH	MM/IN	METRIC		
REV A	DESCRIPTION	▽=0	4 PLACES ± --- ± ---	DRAWN BY DATE	TITLE		
		▽=0	3 PLACES ± --- ± ---	CWE102 2013/09/09	SMA JACK VERTICAL PCB		
		▽=0	2 PLACES ± --- ± ---	CHECKED BY DATE	TH 50 OHMS		
			1 PLACE ± --- ± ---	KERRIE 2013/09/09	SMA-J		
			0 PLACE ± --- ± ---	APPROVED BY DATE	molex		
				MHUANG 2013/11/15			
				MATERIAL NO.	DOCUMENT NO.		
				732516170	SD-73251-617		
				ANGULAR ± 2 °			
				DRAFT WHERE APPLICABLE MUST REMAIN WITHIN DIMENSIONS			
				SIZE C			
				THIS DRAWING CONTAINS INFORMATION THAT IS PROPRIETARY TO MOLEX INCORPORATED AND SHOULD NOT BE USED WITHOUT WRITTEN PERMISSION			