

MATERIALS AND FINISHES:

SMA JACK REVERSE POLAR IP68

BODY, CONTACT, JAM NUT, CRIMP TUBE: BRASS
PLATED: GOLD

INSULATOR: TEFLON

LOCK WASHER: PHOSPHOR BRONZE
PLATED: GOLD

GASKET: SILICONE RUBBER

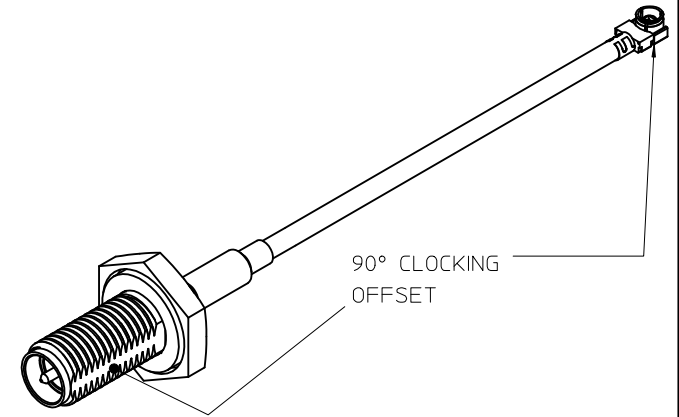
U.FL (89515-1121)

BODY, CONTACT: PHOSPHOR BRONZE
PLATED: GOLD

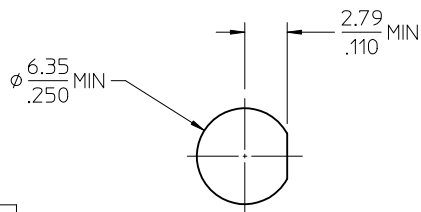
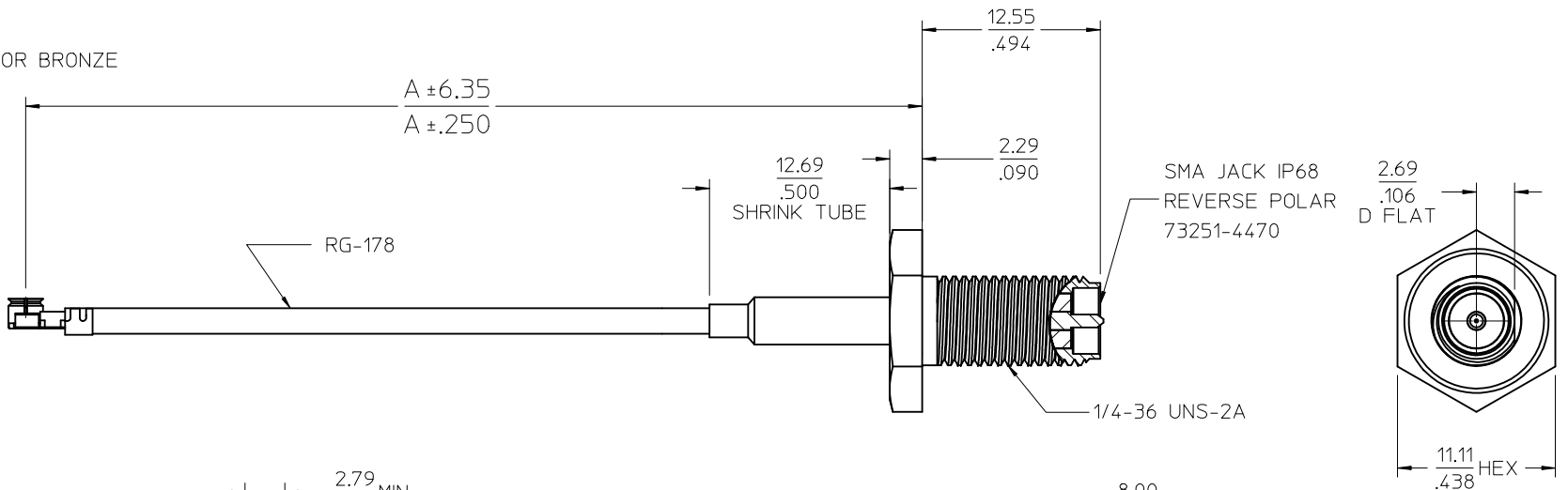
HOUSING: PBT

SHRINK TUBE: VERSAFIT
OR EQUIVALENT

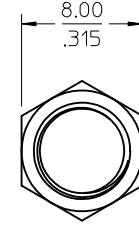
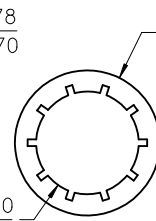
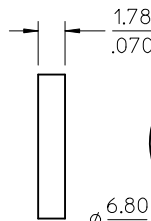
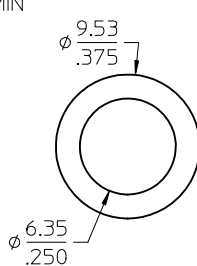
CABLE: RG-178



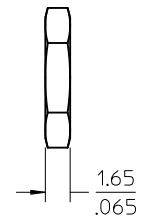
90° CLOCKING
OFFSET



PANEL CUT OUT



TORQUE RANGE:
5-8 (in-lb)



89761-8880	8.00 / 203.2
PART NO.	IN / MM
	DIM A

CHG: RELEASE DRAWING. EC NO: URF2011-0528 DRWN: JWIENER 2011/01/27 CHKD: SSS 2011/03/09 APPR: JWIENER 2011/03/10	DESCRIPTION REV A	QUALITY SYMBOLS ▽=0 ▽=0	GENERAL TOLERANCES (UNLESS SPECIFIED) 4 PLACES ± --- ± --- 3 PLACES ± --- ± --- 2 PLACES ± --- ± --- 1 PLACE ± --- ± --- ANGULAR ± 2°	DIMENSION STYLE MM/IN	SCALE DESIGN UNITS METRIC	THIRD ANGLE PROJECTION
	DRAFT WHERE APPLICABLE MUST REMAIN WITHIN DIMENSIONS	DRAWN BY JLEE02	DATE 2010/09/29	TITLE SMA J RP BH RM IP68 TO U.FL P RA RG178 CABLE EWR-4504, CA-SMA/UFL		
	MATERIAL NO. SEE TABLE	CHECKED BY SSS	DATE 2011/03/09	MOLEX INCORPORATED		
	APPROVED BY JWIENER	DATE 2011/03/10	DOCUMENT NO. SD-89761-888	SHEET NO. 1 OF 1		