

MATERIALS AND FINISHES:

BODY: BRASS ALLOY / ZINC ALLOY  
PLATED BRIGHT TIN OVER NICKEL

INSULATOR: PBT 30% GF (BLACK) UL94 V-0

CONTACTS: BRASS (SEE TABLE)  
PLATED GOLD (30 μ in MIN) OVER  
NICKEL (100μ in MIN) IN CONTACT AREA

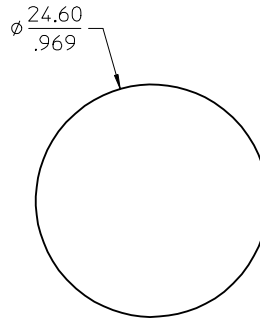
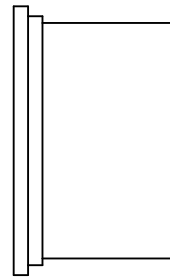
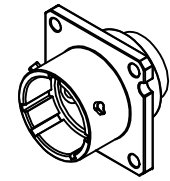
SEALS/GASKET: SILICONE RUBBER

O-RING: SILICONE RUBBER (SEE TABLE)

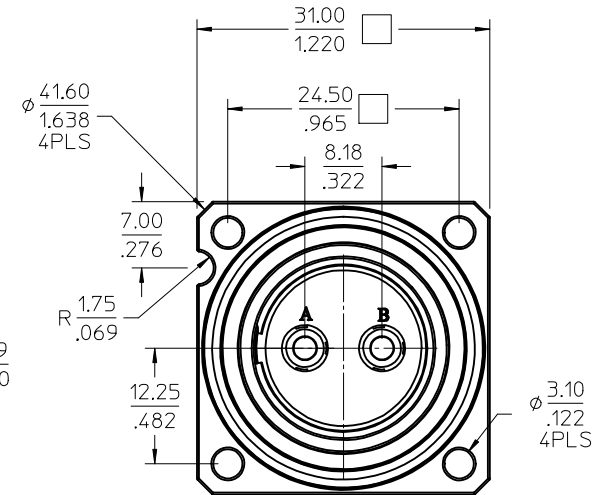
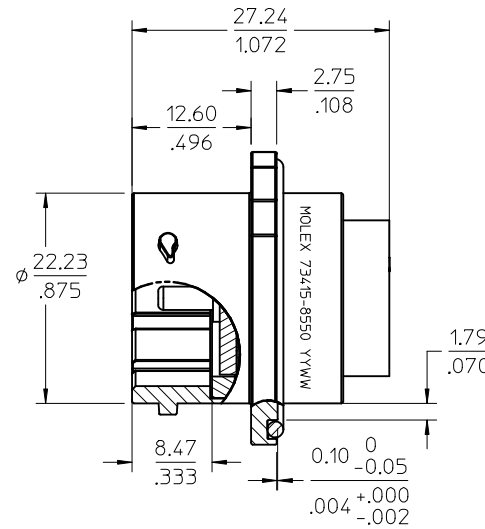
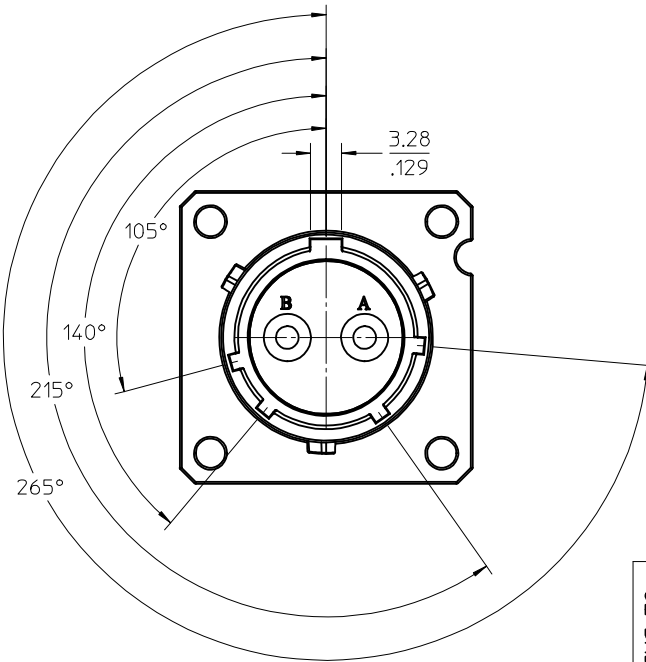
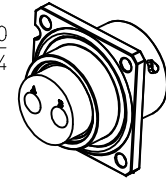
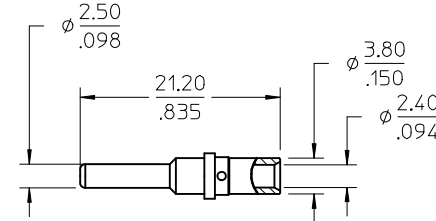
DUST CAP: PE (ESD) (SEE TABLE)

RETAINING RING: CARBON STEEL

RETAINING CLIPS: BERYLLIUM COPPER



RECOMMENDED PANEL  
CUTOUT



73415-8551	OMIT	OMIT
73415-8550	INCLUDED	INCLUDED
PART NO.	CONTACTS	CAP

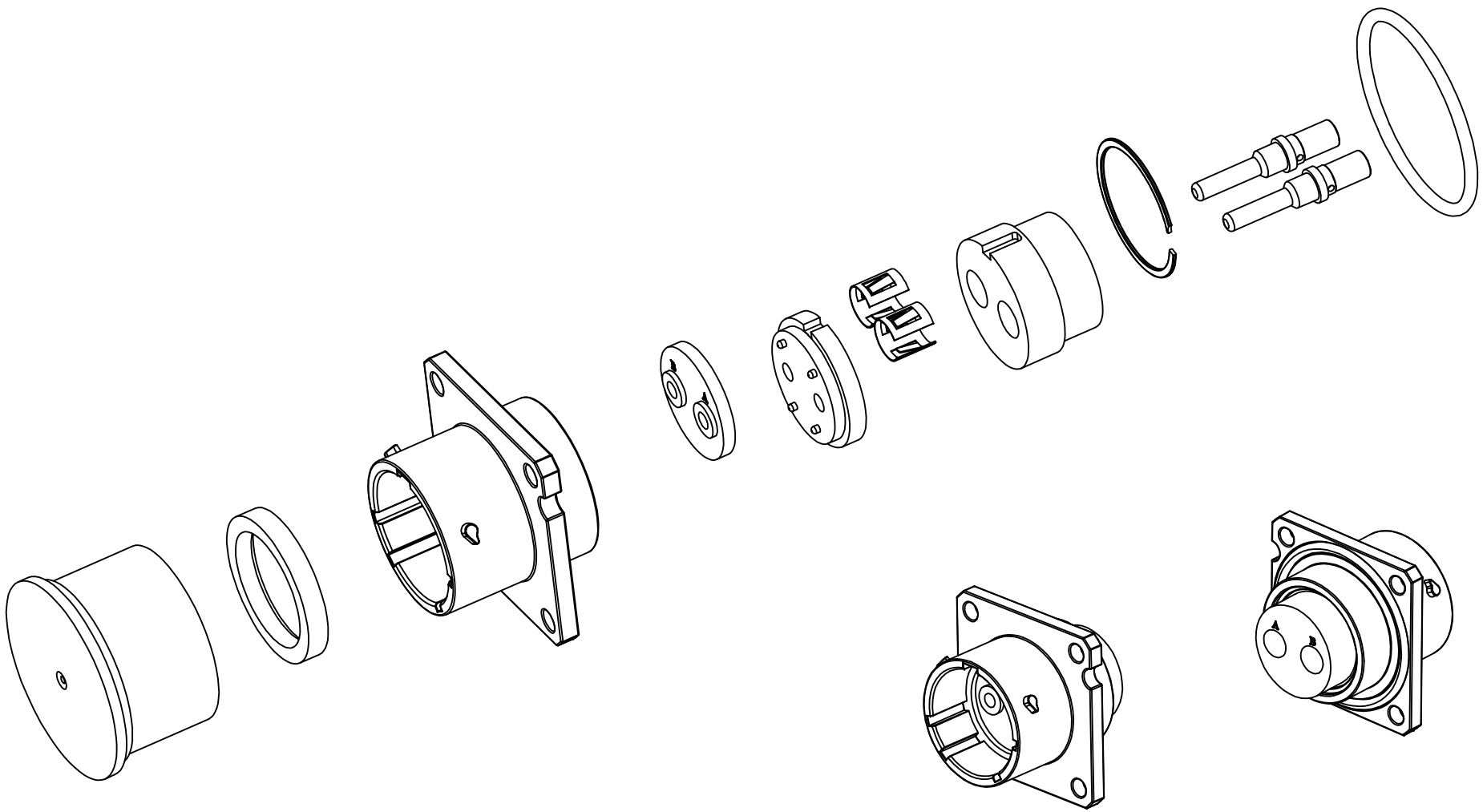
CHG:1)BODY CHG TO  
DIE CASTING TYPE  
2)NOTE UPDATE  
ZINOTE UPDATE  
REMOVE RIVETS  
EWR RF16-E131  
EC NO: URF2017-0060  
DRWN:YCHENG 2016/08/02  
CHKD:  
APPR:YCHENG 2016/09/12

REV	DESCRIPTION
1	QUALITY SYMBOLS
2	QUALITY SYMBOLS

GENERAL TOLERANCES (UNLESS SPECIFIED)	
mm	INCH
4 PLACES ± .005	± .0002
3 PLACES ± .005	± .0002
2 PLACES ± .005	± .0002
1 PLACE ± .005	± .0002
ANGULAR ± 2°	
DRAFT WHERE APPLICABLE MUST REMAIN WITHIN DIMENSIONS	

DIMENSION STYLE	
MM/IN	
DRAWN BY	DATE
YCHENG	2016/02/26
CHECKED BY	DATE
KERRIE	2016/02/27
APPROVED BY	DATE
YCHENG	2016/03/14
MATERIAL NO.	DOCUMENT NO.
SEE TABLE	SD-73415-855

SCALE	DESIGN UNITS	THIRD ANGLE PROJECTION
	METRIC	
TITLE		
2 PIN POWER CONNECTOR JACK FLANGE MOUNT POWER-J/FLG		
MOLEX INCORPORATED		
SHEET NO.		1 OF 2
THIS DRAWING CONTAINS INFORMATION THAT IS PROPRIETARY TO MOLEX INCORPORATED AND SHOULD NOT BE USED WITHOUT WRITTEN PERMISSION		



CHG:SEE SHEET1 EC NO: URF2017-0060 DRAWN:YCHENG 2016/08/02 CHKD: APPR:YCHENG 2016/09/12	DESCRIPTION REV	QUALITY SYMBOLS	GENERAL TOLERANCES (UNLESS SPECIFIED)		DIMENSION STYLE		SCALE	DESIGN UNITS	THIRD ANGLE PROJECTION	
		▽=0	mm	INCH	MM/IN		DRAWN BY DATE YCHENG 2016/02/26	METRIC	TITLE 2 PIN POWER CONNECTOR JACK FLANGE MOUNT POWER-J/FLG	
		▽=0	DRAFT WHERE APPLICABLE MUST REMAIN WITHIN DIMENSIONS		SEE SHEET1					
		▽=0	ANGULAR ± 2°		MATERIAL NO.		DOCUMENT NO.	SHEET NO.		
B				SIZE		SD-73415-855		2 OF 2		
THIS DRAWING CONTAINS INFORMATION THAT IS PROPRIETARY TO MOLEX INCORPORATED AND SHOULD NOT BE USED WITHOUT WRITTEN PERMISSION										