

MATERIALS AND FINISHES

BODY BRASS  
PLATED GOLD (30 MICRINCHES MIN)

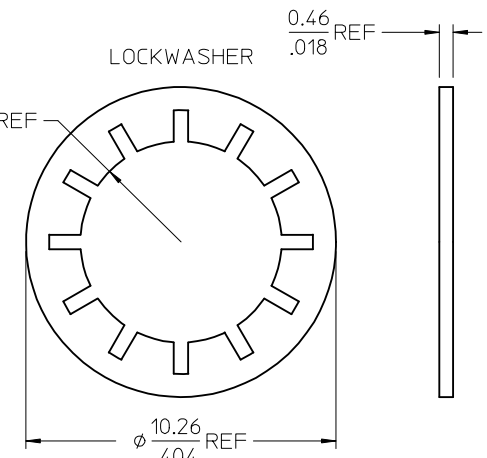
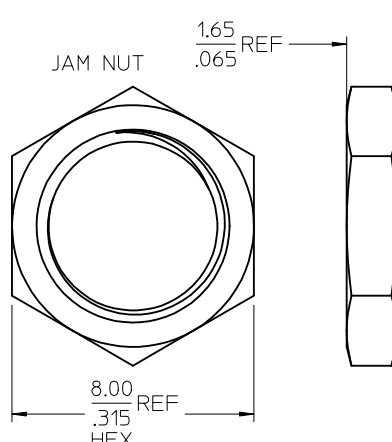
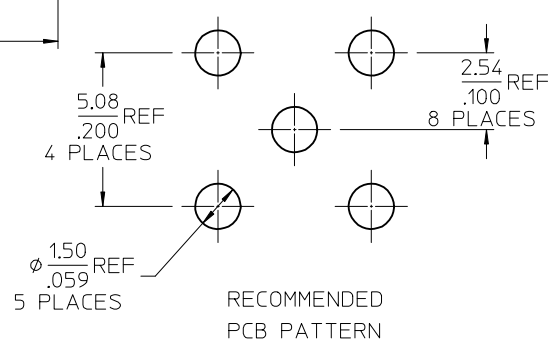
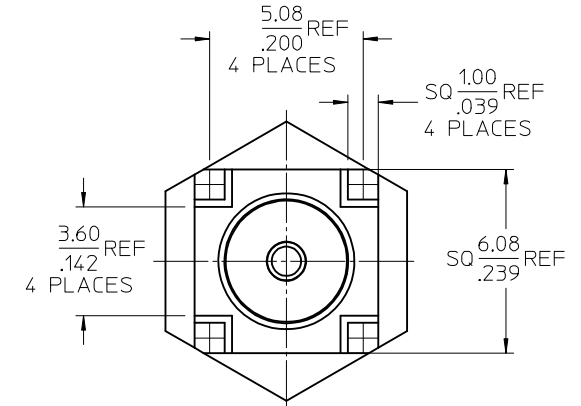
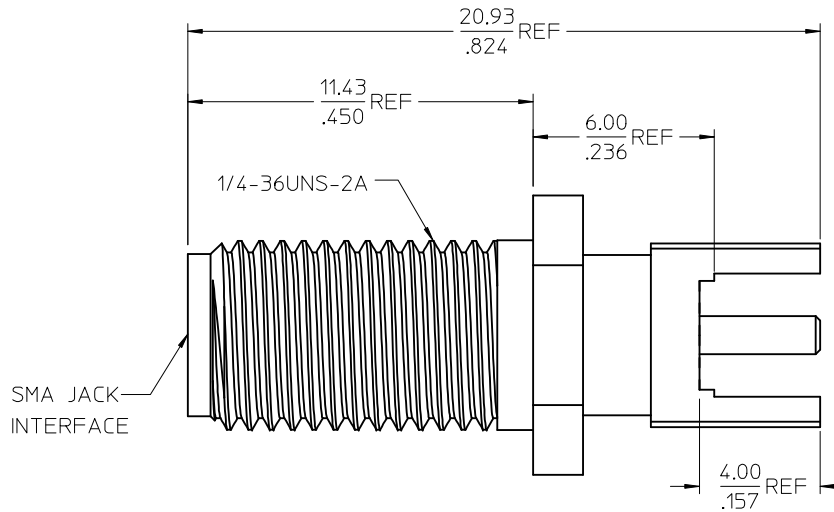
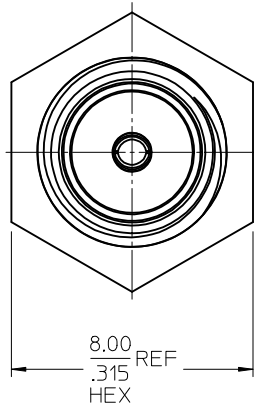
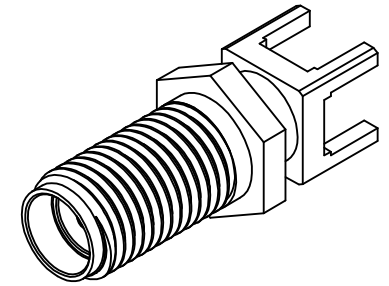
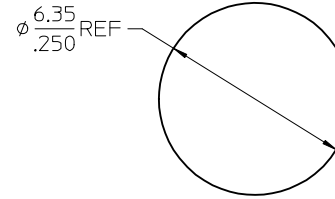
CENTER CONTACT BERYLLIUM COPPER  
PLATED GOLD (30 MICRINCHES MIN)

INSULATOR TEFLON

LOCKWASHER PHOSPHOR BRONZE  
PLATED GOLD (1 MICRINCHES MIN)

JAM NUT BRASS  
PLATED GOLD (1 MICRINCHES MIN)

RECOMMENDED PANEL  
MOUNTING HOLE



PART # 73251-2700

MIL-STD-348A, FIG. 310.2	INTERFACE
SPECIFICATION	DESCRIPTION

- UNLESS OTHERWISE SPECIFIED DIMS ARE MILLIMETERS AND ANGLES ARE DEGREES.
- ALL OVER.
  - NO CHATTER OR NON-UNIFORM SURFACE FINISH ALLOWED.
  - PARTS TO BE FREE OF BURRS & SHARP EDGES 0.13(.005) MAX BREAK.
  - EXTERNAL THREADS TO BE ROLLED OR SINGLE POINT.
  - DIAMETERS TO BE CONCENTRIC WITHIN 0.08(.003) TIR.

CHG: NEW RELEASE

EC NO: URF2005-0425  
 DRWN: JMASTRANO 2005/04/05  
 CHKD: SSHAH 2005/04/05  
 APPR: JWIENER 2005/04/05

QUALITY SYMBOLS  
 ▽=0  
 ▽=0

GENERAL TOLERANCES (UNLESS SPECIFIED)

	mm	INCH
4 PLACES	± .010	± .0004
3 PLACES	± .015	± .0006
2 PLACES	± .020	± .0008
1 PLACE	± .030	± .0012
ANGULAR ± 2 °		

DRAFT WHERE APPLICABLE MUST REMAIN WITHIN DIMENSIONS

DIMENSION STYLE		SCALE	DESIGN UNITS	THIRD ANGLE PROJECTION
MM/IN			METRIC	
DRAWN BY	DATE	TITLE	SMA JACK, BULKHEAD PCB, 50 OHMS EWR-2749, SMA-J/PCB	
JM	2005/03/22			
CHECKED BY	DATE			
APPROVED BY	DATE	MOLEX INCORPORATED		
JDW	2005/03/22	DOCUMENT NO. SD-73251-270		SHEET NO. 1 OF 1

MATERIAL NO. 732512700  
 SIZE C THIS DRAWING CONTAINS INFORMATION THAT IS PROPRIETARY TO MOLEX INCORPORATED AND SHOULD NOT BE USED WITHOUT WRITTEN PERMISSION