

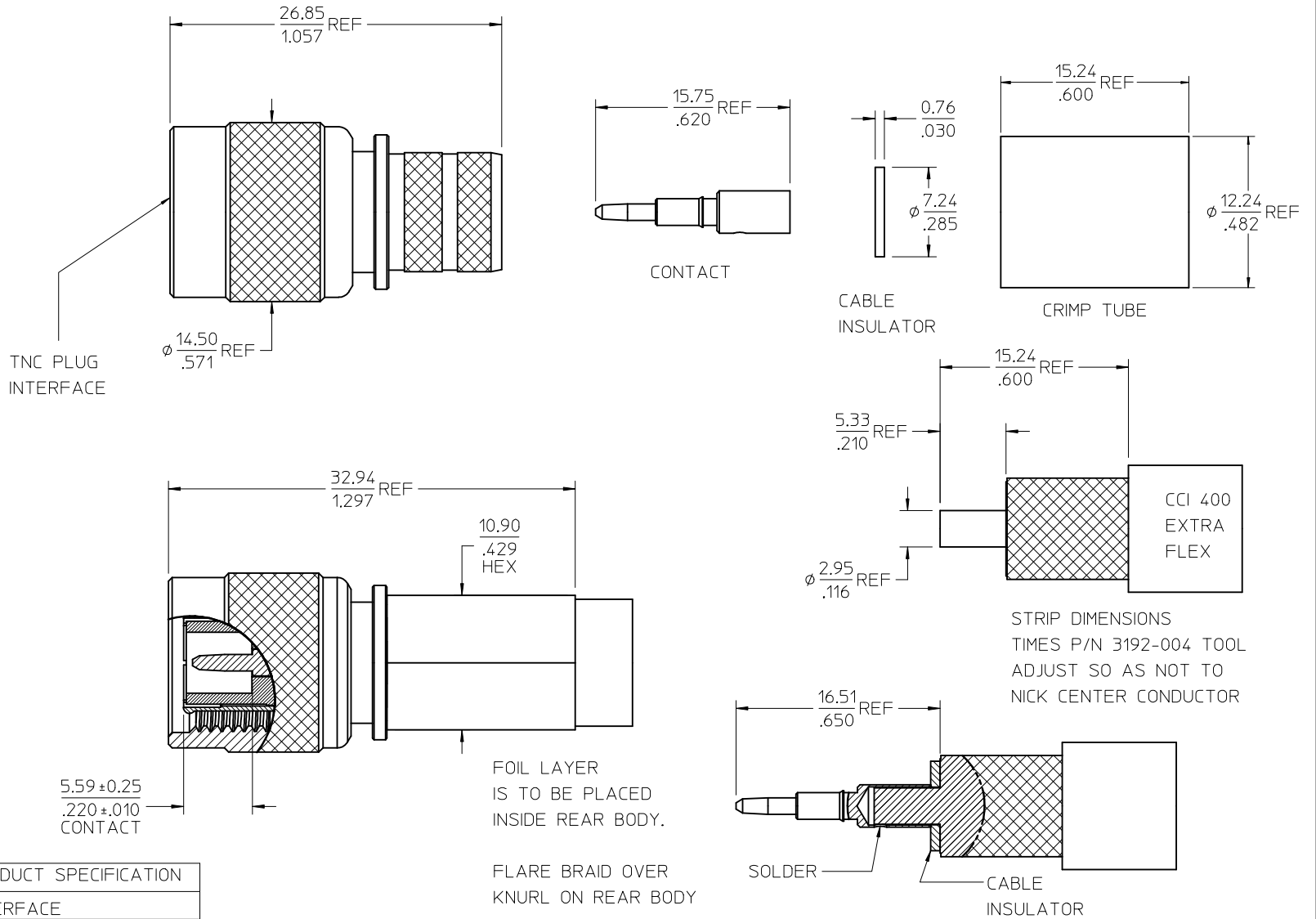
MATERIALS AND FINISHES

BODY, CRIMP TUBE, C'NUT: BRASS
PLATED NICKEL

CENTER CONTACT: BRASS
PLATED GOLD

INSULATORS: TEFLON

GASKET: SILICONE RUBBER



PART # 73216-2820

PS-89675-1400	PRODUCT SPECIFICATION
MIL-STD-348A, FIG. 313.1	INTERFACE
SPECIFICATION	DESCRIPTION

CHG: UPDATE	REV	DESCRIPTION
VIEW OF BODY	B2	
EC NO: URF2013-0710		
DRWN: JWIENER		
CHKD: SSS		
APPR: JWIENER		

QUALITY SYMBOLS	▽=0
	▽=0

GENERAL TOLERANCES (UNLESS SPECIFIED)	mm	INCH
4 PLACES	± .005	± .0005
3 PLACES	± .002	± .0002
2 PLACES	± .001	± .0001
1 PLACE	± .0005	± .00005
ANGULAR ± 2°		
DRAFT WHERE APPLICABLE MUST REMAIN WITHIN DIMENSIONS		

DIMENSION STYLE	MM/IN
DRAWN BY	AROBERTSON
DATE	2011/12/14
CHECKED BY	SSS
DATE	2011/12/14
APPROVED BY	JWIENER
DATE	2011/12/15
MATERIAL NO.	732162820
SIZE	C

SCALE	DESIGN UNITS	THIRD ANGLE PROJECTION
	INCH	
TITLE		
TNC PLUG STRAIGHT FOR CCI400EF OR LMR400 TNC-PC, EWR-4846		
MOLEX MOLEX INCORPORATED		
DOCUMENT NO.	SD-73216-282	SHEET NO.
		1 OF 1
THIS DRAWING CONTAINS INFORMATION THAT IS PROPRIETARY TO MOLEX INCORPORATED AND SHOULD NOT BE USED WITHOUT WRITTEN PERMISSION		