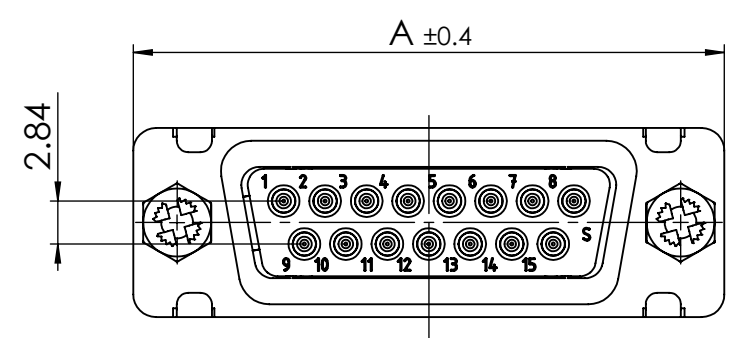
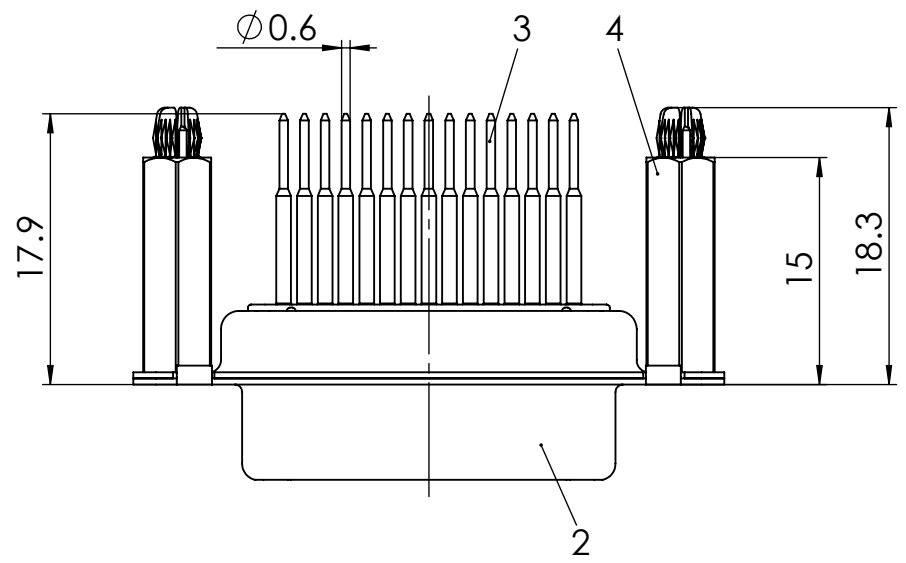
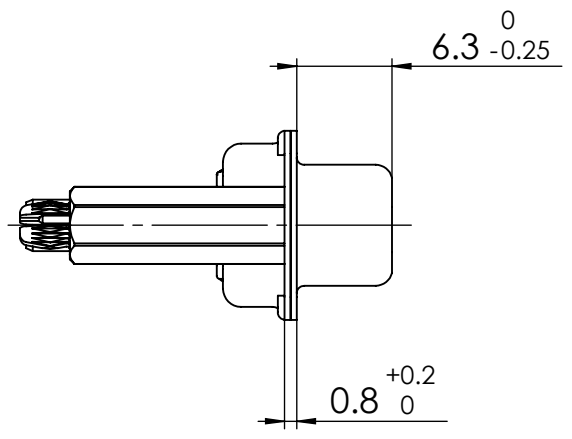
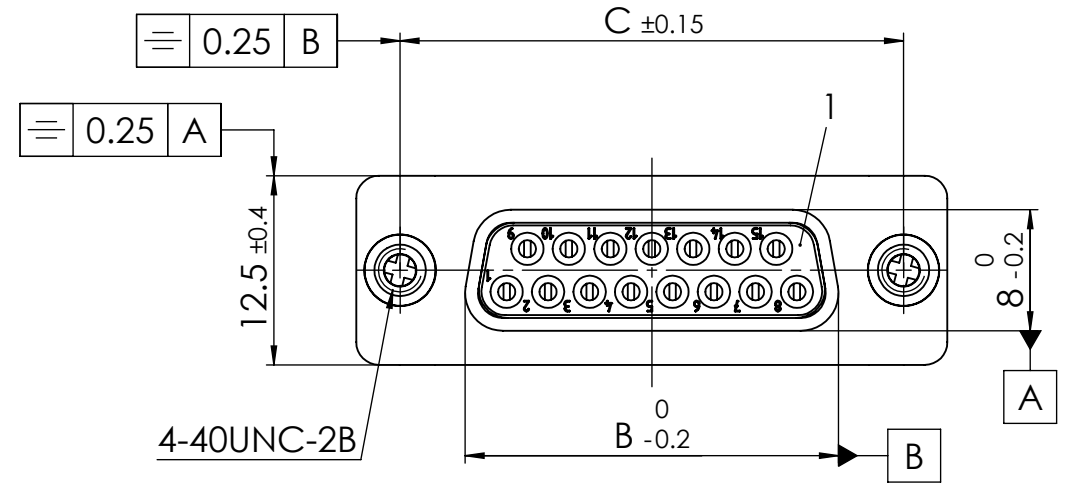


COMMENT: ALL RIGHTS ARE RESERVED BY US FOR THIS DRAWING. WITHOUT OUR PRIOR CONSENT, IT MAY NEITHER BE DUPLICATED NOR MADE AVAILABLE TO A THIRD PARTY. AND IT ALSO MAY NOT BE IMPROPERLY USED BY THE RECEIVER, OR A THIRD PARTY.



Fxx*1)S80Gy*2)-1254

e.g. F15S80G2-1254

RoHS compliant
by exemption

- *1) xx No. of contacts 09, 15, 25 or 37
- *2) y for performance classes 1, 2 or 3 (contact cycle for G1/G2/G3 = 500/200/50)

xx	A [mm]	B [mm]	C [mm]	*E [mm]	*F [mm]
09	30.8	16.4	25	ø1	ø3
15	39.1	24.7	33.3		
25	53	38.5	47.04		
37	69.3	54.9	63.5		

*PCB hole patterns, øE, øF on supplement AM0023

No.	St.	Part	Type Description/Material	Surface plating/Colour/Class
4	2	Snap-in bolt	PCB 1.6mm / Brass	tin plated
3	xx	Signal contact	S80 / Brass	G1/G2/G3
2	1	Shell	Steel	tin plated
1	1	Insulator	PBT (-55°C - +125°C)	white

DRAWN birgit.rinder 07-06-2007	CHECKED ssChref 11-06-2007	<p>a molex company</p>	SCALE 2:1	TITLE D-Sub Miniature Connector	
			MEASUREMENT WITHOUT TOLERANCE OCC. TO ISO 2768-M		
			NAME / DATE		
1	REV.	DATE	CH.-NO.	DWG.NO. FxxS80Gy-1254	REV. 1
ORIGINAL: DIN A3-DRAWING AS A FILE			REPLACEMENT FOR:	FxxS80Gy-1254 a	PAGES 1