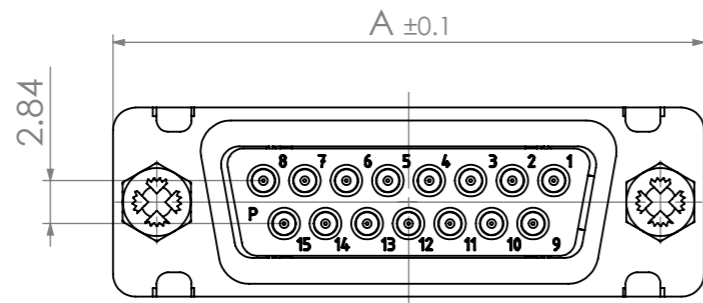
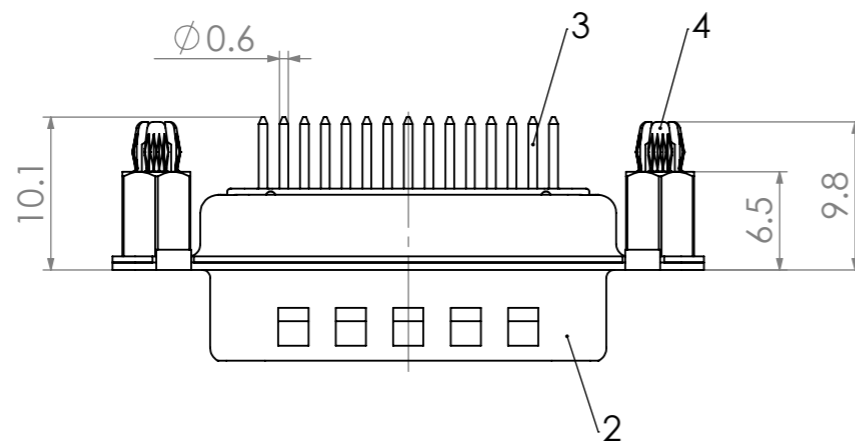
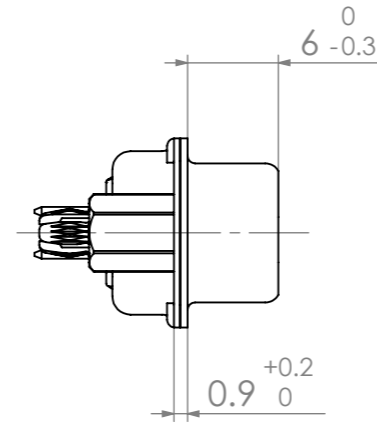
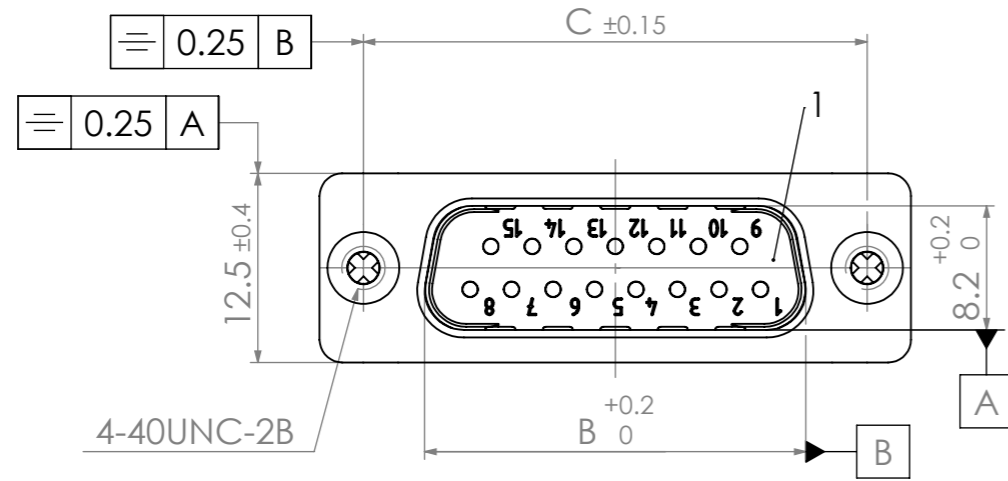


COMMENT: ALL RIGHTS ARE RESERVED BY US FOR THIS DRAWING. WITHOUT OUR PRIOR CONSENT, IT MAY NEITHER BE DUPLICATED NOR MADE AVAILABLE TO A THIRD PARTY. AND IT ALSO MAY NOT BE IMPROPERLY USED BY THE RECEIVER, OR A THIRD PARTY.



FHxx*1)P24Gy*2)-0981

e.g. FH15P24G1-0981

*1) xx No. of contacts 09, 15, 25 or 37
 *2) y for performance classes 1, 2 or 3
 (contact cycle for G1/G2/G3 = 500/200/50)

xx	A [mm]	B [mm]	C [mm]	*E [mm]	*H [mm]
09	30.8	16.9	25	ø1	ø3
15	39.1	25.2	33.3		
25	53	38.9	47.04		
37	69.3	55.3	63.5		

RoHS compliant

*PCB hole patterns, øE, øF on supplement AM0023

No.	St.	Part	Type Description/Material	Surface plating/Colour/Class
4	2	Snap-in bolt	PCB 1.6mm / Brass	tin plated
3	xx	Signal contact	P24 / Brass	G1/G2/G3
2	1	Shell	Steel	tin plated
1	1	Insulator	PCT (-55°C - +150°C)	natural

		Measurement without tolerance occ. to ISO 2768-m SCALE 2:1 TITLE D-Sub Miniature Connector	
		NAME / DATE DRAWN Mpostulka 03-04-2014 CHECKED sschref 03-04-2014	
		DWG.NO. FHxxP24Gy-0981 REV. 1	
1	REV.	DATE	CH.-NO.
		ORIGINAL: DIN A3-DRAWING AS A FILE REPLACEMENT FOR:	
		PAGES 1	