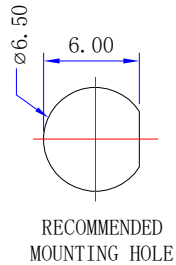
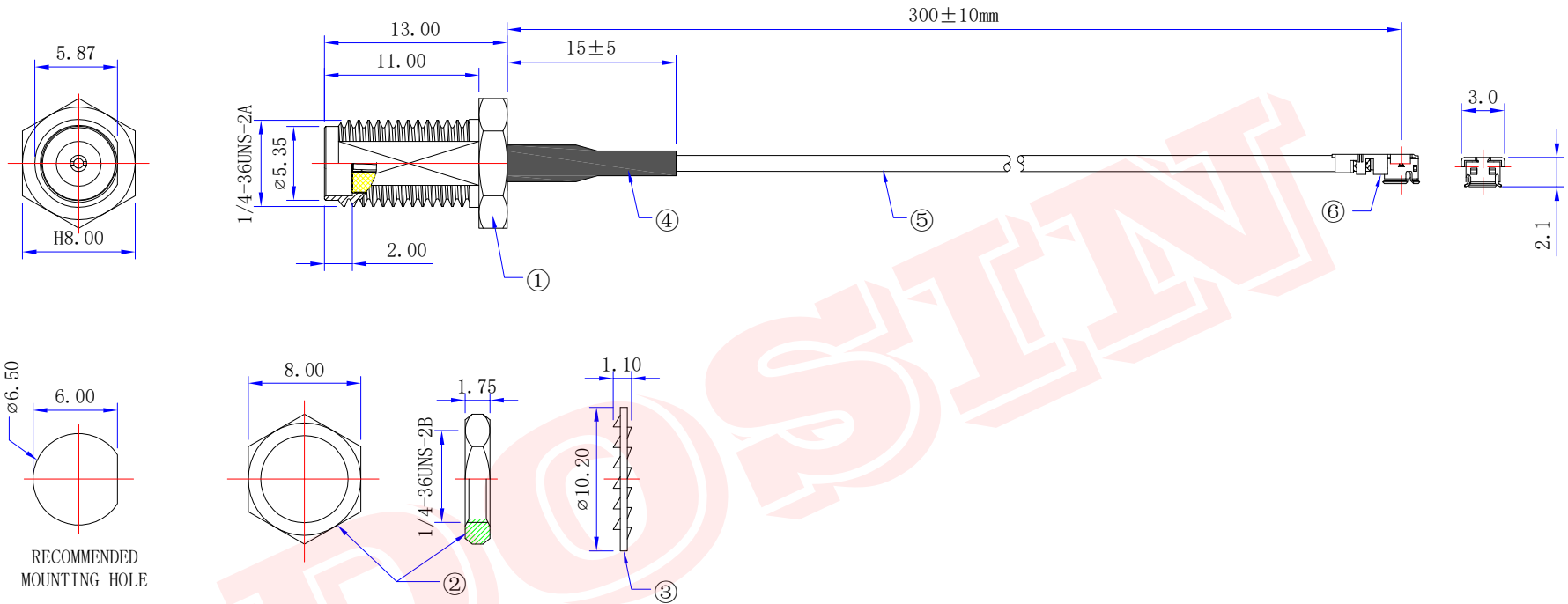




Product NO.		DOSIN-811-1871		
REV	DESCRIPTION	DWN	DATE	APPROVEN
A	First issue	Gavin	2022/08/23	John kine



**Specifications**

Impedance: 50 Ohms  
 Frequency Range: DC~6G  
 VSWR: 1.5MAX  
 Working Voltage: 500V rms @ sea level  
 Insulation Resistance: 5000 MOhms min  
 Temperature Range: -40°C TO +105°C

6	IPEX-1	Brass	Gold	1
5	Cable	OD1.13	Black	1
4	Heat shrink tubing		Black	1
3	Washer	Iron	Gold	1
2	NUT	Brass	Gold	1
1	SMA Jack	Brass	Gold	1
NO	DESCRIPTION	MATERIAL	FINISH	QTY

NOTE:	Tolerance	0.5 - 8mm ± 0.20mm 8 - 30mm ± 0.25mm 30 - 120mm ± 0.30mm	Dosin Industrial (H.K) Co. Ltd dosin2005@dosin-china.com Web: http://www.china-guan.com <b>东莞市德索五金电子制品有限公司</b> Dosin Hardware Electronics Co., Ltd TEL: (0086) 769-81153906 FAX: (0086) 769-81875836	
DRAWN Gavin	View		Name: SMA JACK TO IPEX-1 FOR OD1.13 CABLE	
CHECKED	UNIT	MM	SIZE A	Product NO. DOSIN-811-1871
APPROVALS John kine	SCALE	1:1	DateTime 2022/08/23	CAD FILE D/company drawings/BD
			SHEET: 1 OF 1	