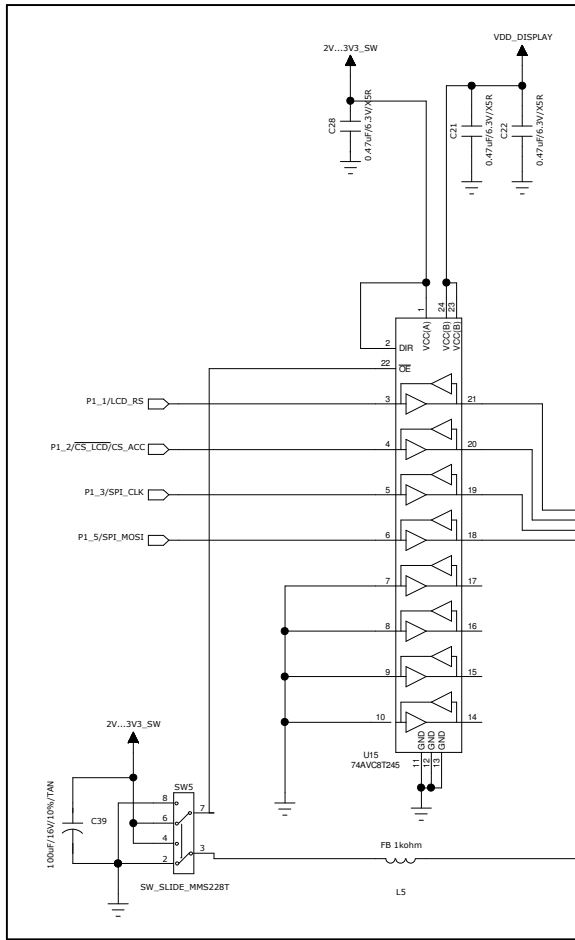
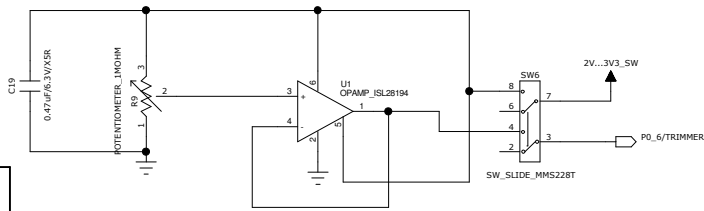


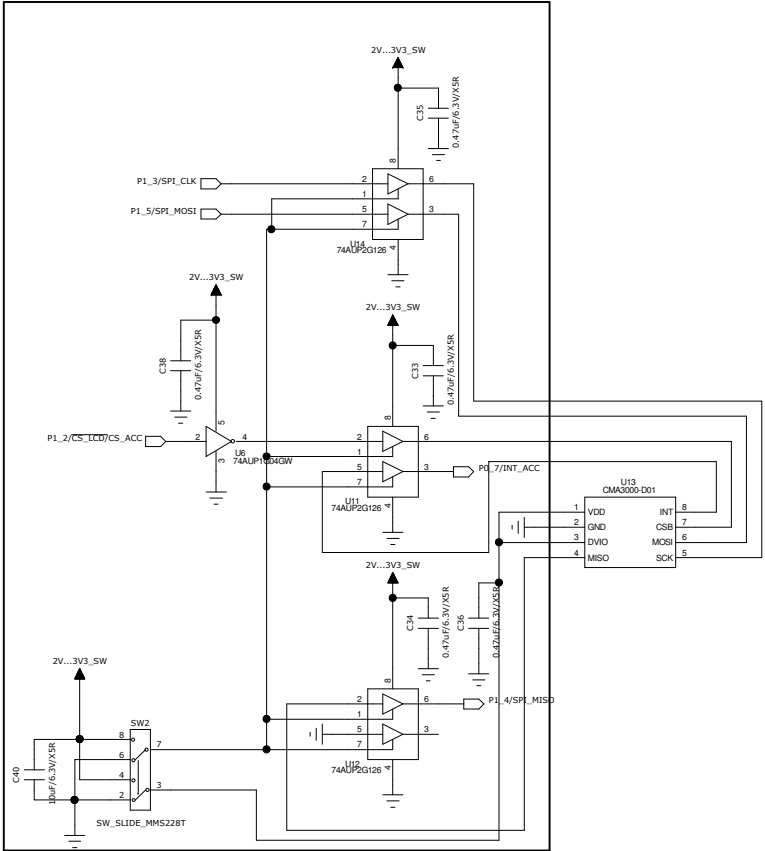
REVISION RECORD			
LTR	ECD NO.	APPROVED:	DATE:

COMPANY:			
TITLE: BLE112 Evaluation Board			
DRAWN: PRA	DATE: 12.04.2011	CODE: -	SIZE: C
CHECKED: -	DATE: -	DRAWING NO: -	REV: 1.0
QUALITY CONTROL: -	DATE: -	SCALE: 1:1	
RELEASED: -	DATE: -	SHEET: 1 of 3	

REVISION RECORD			
LTR	ECO NO:	APPROVED:	DATE:



Disconnect and shut down display



Disconnect and shut down accelerometer

COMPANY:

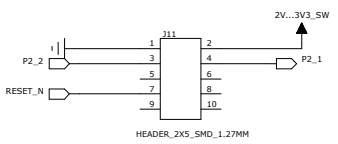
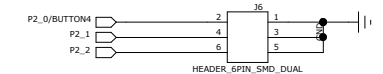
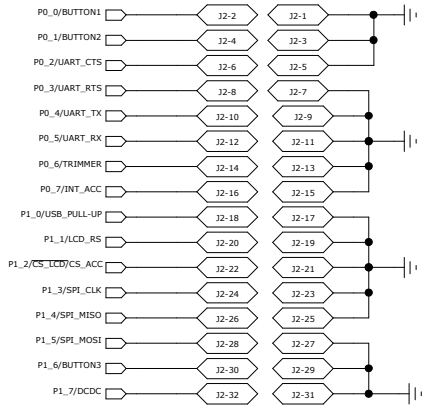
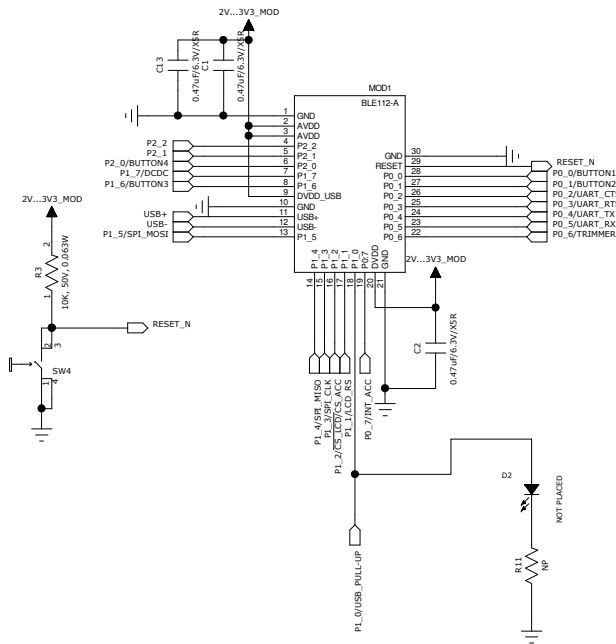
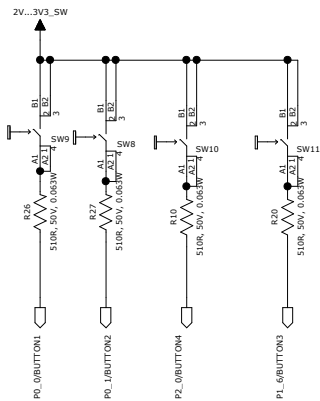
TITLE:

BLE112 Evaluation Board

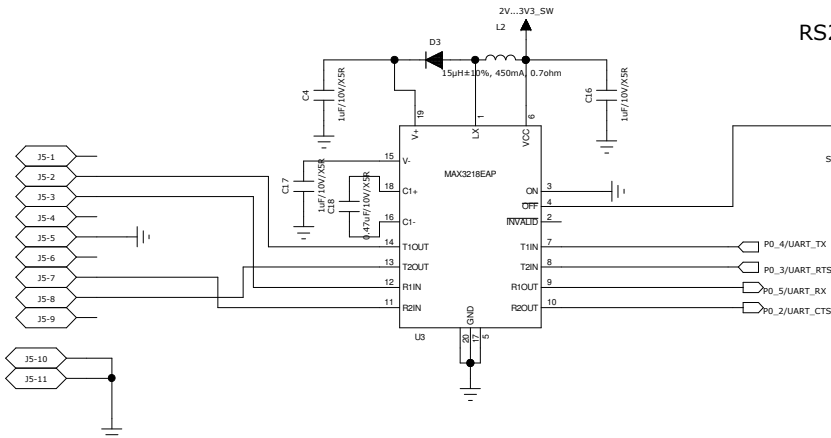
DRAWN:	PRA	DATED:	12.04.2011
CHECKED:	-	DATED:	-
QUALITY CONTROL:	-	DATED:	-
RELEASED:	-	DATED:	-

CODE:	SIZE:	DRAWING NO:	REV:
-	C	-	1.0
SCALE:	SHEET: 2 of 3		

REVISION RECORD			
LTR	ECO NO:	APPROVED:	DATE:



PROGRAMMING INTERFACE



RS232 ON/OFF



COMPANY:

TITLE: BLE112 Evaluation Board

DRAWN: PRA	DATED: 12.04.2011
CHECKED: -	DATED: -
QUALITY CONTROL: -	DATED: -
RELEASED: -	DATED: -

CODE: -	SIZE: C	DRAWING NO: -	REV: 1.0
SCALE:			SHEET: 3 of 3