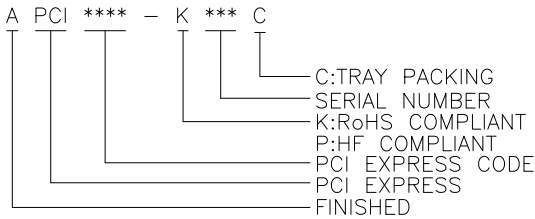


REV.	ECN NO./DESCRIPTION	DATE
B	R170314	06/21'17
C	R170314	07/07'17
D	R170314	09/09'17

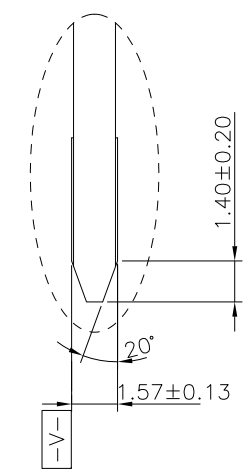
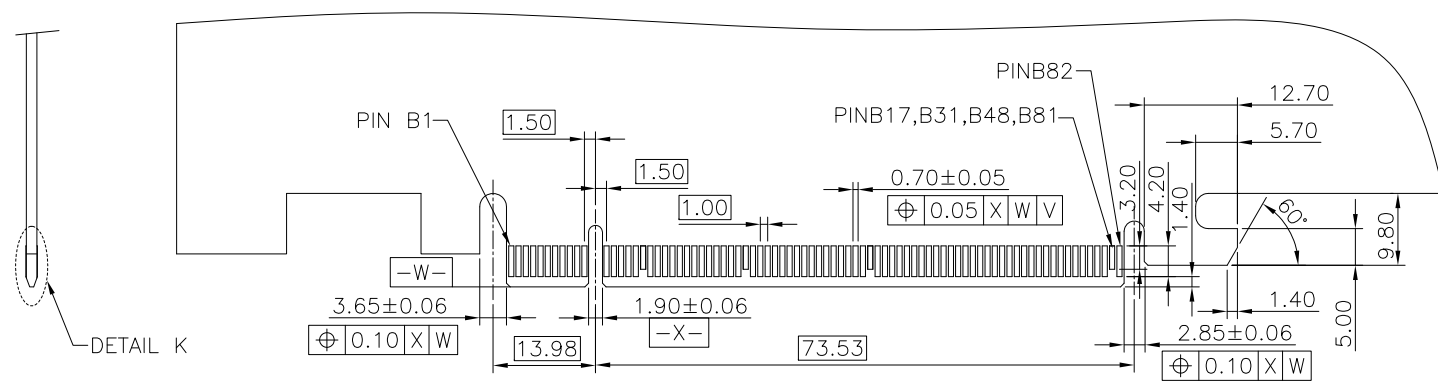
- MATERIAL:
HOUSING: PA66+30%GF UL-94V0; COLOR:SEE TABLE
LATCH: PA66+30%GF UL-94V0; COLOR:SEE TABLE
TERMINAL: BRASS C2680.
HOOK: S50C.
SHELL: SUS304.
- FINISH:
CONTACT: 50u" NI MIN PLATING OVER ALL;
MATTE Sn 100u" MIN PLATING ON SOLDER TAIL;
Au PLATING ON CONTACT AREA(SEE TABLE).
HOOK: 50u" NI MIN PLATING OVER ALL.
SHELL: 50u" NI MIN PLATING OVER ALL.
MATTE Sn 100u" MIN PLATING ON SOLDER TAIL;
- MECHANICAL SPEC:
DURABILITY: 50 CYCLES.
RETENTION FORCE: 0.40 kgf MIN PER PIN.
MATING FORCE: 1.15N MAX PER PAIR.
UNMATING FORCE: 0.15N MIN PER PAIR.
- ELECTRICAL SPEC:
CURRENT RATING: 1.1A.
CONTACT RESISTANCE: 30 MILLIOHMS MAX. INITIAL.
INSULATION RESISTANCE: 1000 MEGOHMS MIN.
DIELECTRIC WITHSTANDING VOLTAGE: 500V AC MIN.
- WAVE SOLDERING:
THE CONNECTOR SHALL BE MOUNTED ON THE PCB,
THE TEMPERATURE OF THE SOLDER SHALL BE 260±5°C,
AND IMMERSION DURATION:10±2 SECONDS.
- RoHS COMPLIANT OR HALOGEN FREE COMPLIANT.
- PRODUCT NUMBER NOTE:



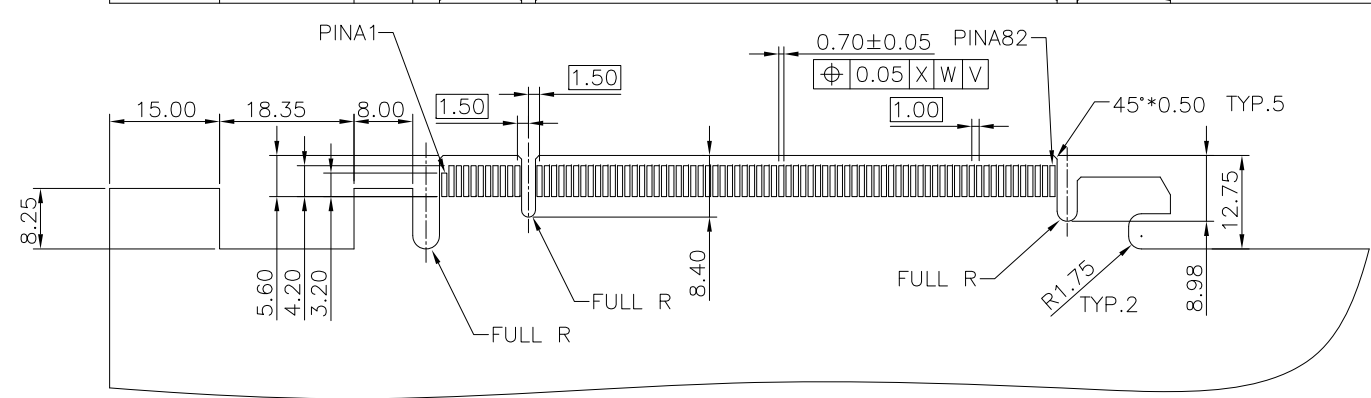
GENERAL TOLERANCES UNLESS SPECIFIED		PART NO. SEE TABLE	LOTES					
X± 0.35	X°± 3°					APPROVED BY YIN JIAXU 09/09'17	TITLE 164PIN PCI-E CONNECTOR WITH DOUBLE PUSH LATCH	
.XX± 0.25	.X°± 2°							
.XXX± 0.15	.XX°± 1°							
CUSTOMER DRAWING		CHECKED BY MARK ZHANG 09/09'17	DWG NO. GAP-APCI0338					
SIZE A4	UNITS mm[INCH]	DRAWN BY ZHONGWEIXUE 09/09'17		SHEET 1 / 2	SCALE 1:1	REV D		

DATE CODE: WEEK YEAR

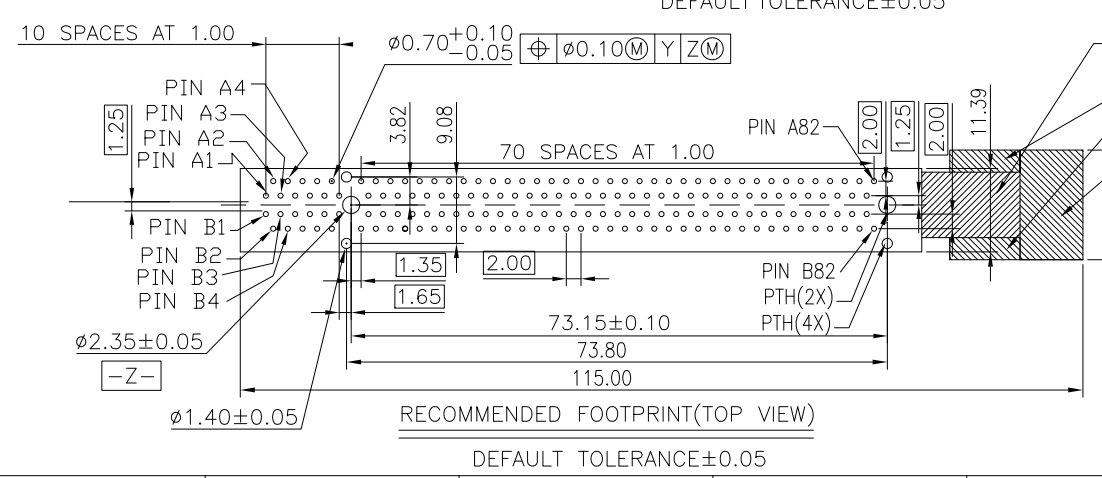
REV.	ECN NO./DESCRIPTION	DATE
B	R170314	06/21'17
C	R170314	07/07'17
D	R170314	09/09'17



DETAIL K
SCALE 4:1



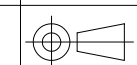
ADD-IN CARD EDGE-FINGER DIMENSIONS
DEFAULT TOLERANCE±0.05



RECOMMENDED FOOTPRINT(TOP VIEW)
DEFAULT TOLERANCE±0.05

HEIGHT OF THE CAPACITANCE IS LESS THAN 3.00mm MAX
HEIGHT OF THE CAPACITANCE IS LESS THAN 9.00mm MAX
HEIGHT OF THE CAPACITANCE IS LESS THAN 10.50mm MAX

GENERAL TOLERANCES UNLESS SPECIFIED		PART NO.	LOTES		
X± 0.35	X°± 3°	SEE TABLE			
.XX± 0.25	.X°± 2°	APPROVED BY	TITLE 164PIN PCI-E CONNECTOR WITH DOUBLE PUSH LATCH		
.XXX± 0.15	.XX°± 1°	YIN JIAXU 09/09'17			
CUSTOMER DRAWING		CHECKED BY	DWG NO. GAP-APCI0338		
		MARK ZHANG 09/09'17			
SIZE	UNITS	DRAWN BY	SHEET SCALE REV		
A4	mm[INCH]	ZHONGWEIXUE 09/09'17			



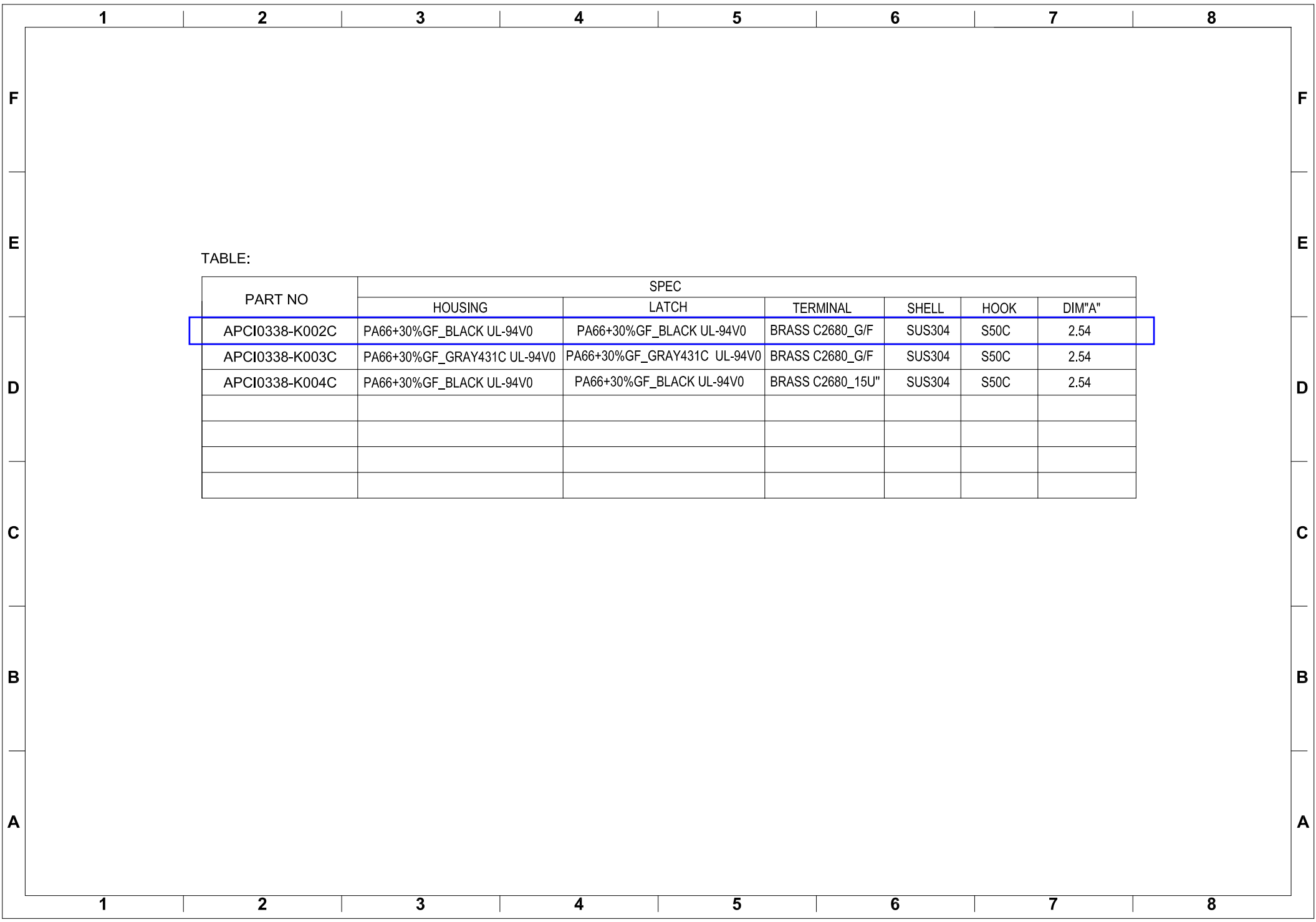


TABLE:

PART NO	SPEC					
	HOUSING	LATCH	TERMINAL	SHELL	HOOK	DIM"A"
APCI0338-K002C	PA66+30%GF_BLACK UL-94V0	PA66+30%GF_BLACK UL-94V0	BRASS C2680_G/F	SUS304	S50C	2.54
APCI0338-K003C	PA66+30%GF_GRAY431C UL-94V0	PA66+30%GF_GRAY431C UL-94V0	BRASS C2680_G/F	SUS304	S50C	2.54
APCI0338-K004C	PA66+30%GF_BLACK UL-94V0	PA66+30%GF_BLACK UL-94V0	BRASS C2680_15U"	SUS304	S50C	2.54