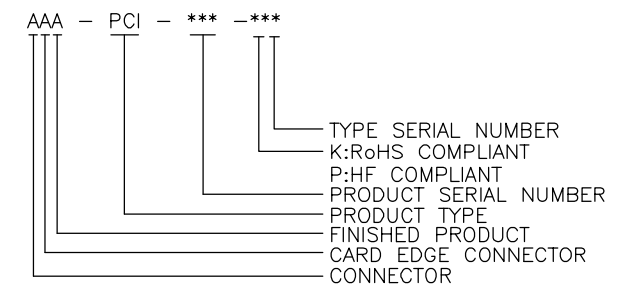


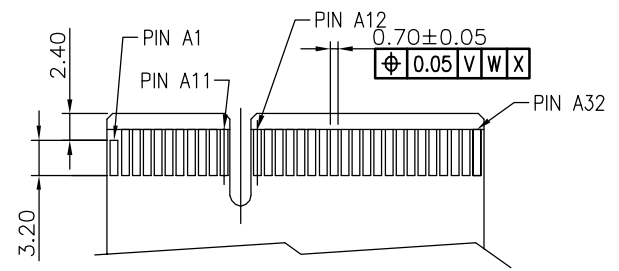
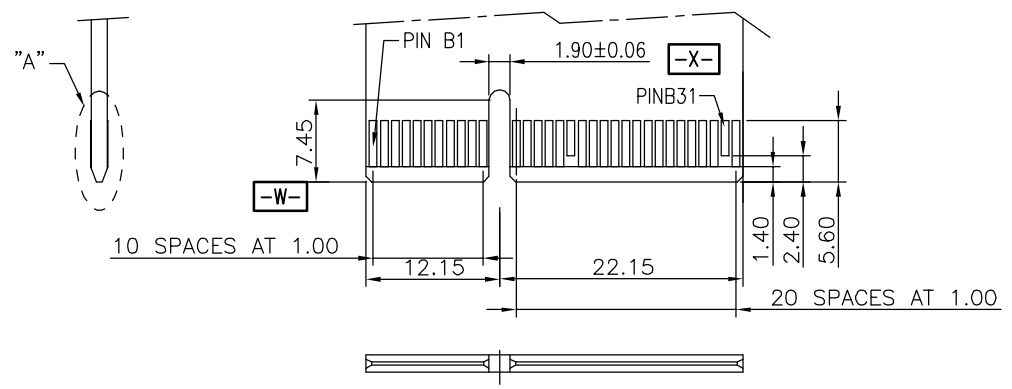
REV.	ECN NO./DESCRIPTION	DATE
1	N130130	06/01'13
1A	R160606	10/10'16
1B	R160606	07/25'17

- NOTES:
- MATERIAL:  
HOUSING: HIGH TEMPERATURE THERMOPLASTIC.  
(DETAILS REFER TO TABLE)  
TERMINAL: PHOSPHOR BRONZE C5191 OR BRASS C2680.
  - FINISH:  
TERMINAL: 50u" NI PLATING OVER ALL;  
100u" MATTE Sn PLATING ON SOLDER TAIL;  
Au PLATING ON CONTACT AREA.
  - MECHANICAL SPEC:  
DURABILITY: 50 CYCLES.  
RETENTION FORCE: 0.40 kgf MIN PER PIN.  
MATING FORCE: 1.15N MAX PER PAIR.  
UNMATING FORCE: 0.15N MIN PER PAIR.
  - ELECTRICAL SPEC:  
CURRENT RATING: 1.1A.  
CONTACT RESISTANCE: 30 MILLIOHMS MAX. INITIAL.  
INSULATION RESISTANCE: 1000 MEGOHMS MIN.  
DIELECTRIC WITHSTANDING VOLTAGE: 500V AC MIN.
  - WAVE SOLDERING:  
THE CONNECTOR SHALL BE MOUNTED ON THE PCB,  
THE TEMPERATURE OF THE SOLDER SHALL BE  
260±5°C AND IMMERSION DURATION 10±2 SECONDS.
  - RoHS COMPLIANT OR HF COMPLIANT.
  - PRODUCT NUMBER NOTE:

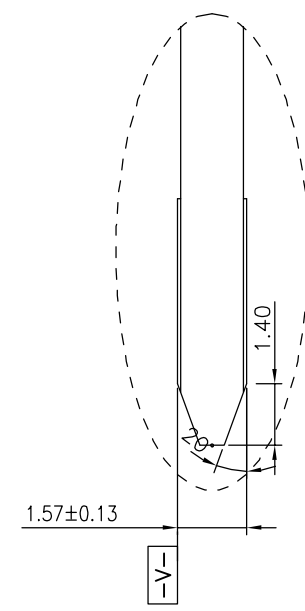


GENERAL TOLERANCES UNLESS SPECIFIED		PART NO.	LOTES			
X± 0.35	X°± 3°	SEE TABLE	TITLE			
.XX± 0.25	.X°± 2°	APPROVED BY	64PIN PCI-EXPRESS CONNECTOR(GEN3.0)			
.XXX± 0.15	.XX°± 1°	BILL 07/25'17	DWG NO.			
CUSTOMER DRAWING		CHECKED BY	GAP-AAA-PCI-161			
SIZE	UNITS	DRAWN BY		SHEET	SCALE	REV
A4	MM[INCH]	HUHUALIN 07/25'17		1 / 2	3:2	1B

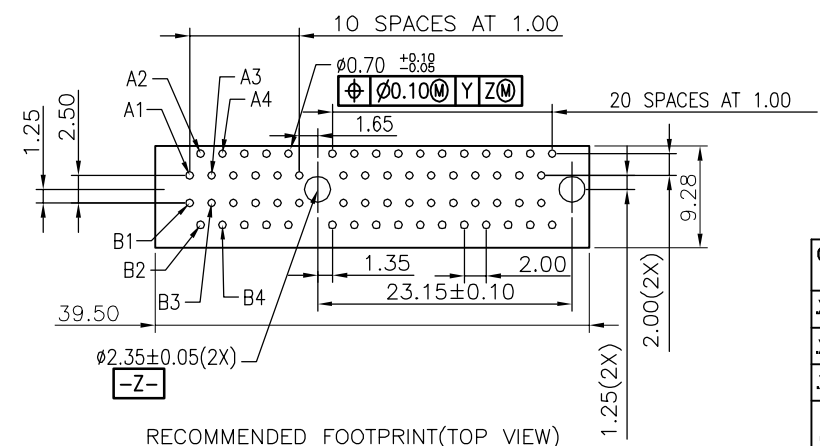
REV.	ECN NO./DESCRIPTION	DATE
1	N130130	06/01'13
1A	R160606	10/10'16
1B	R160606	07/25'17



ADD-IN CARD EDGE-FINGER DIMENSIONS  
DEFAULT TOLERANCE ±0.05.



DETAIL "A"  
SCALE 4/1



RECOMMENDED FOOTPRINT(TOP VIEW)  
DEFAULT TOLERANCE ±0.05.

GENERAL TOLERANCES UNLESS SPECIFIED		PART NO. SEE TABLE	<b>LOTES</b>			
X± 0.35	X°± 3°					APPROVED BY BILL 07/25'17
.XX± 0.25	.X°± 2°					
.XXX± 0.15	.XX°± 1°					
CUSTOMER DRAWING		CHECKED BY BILL 07/25'17	DWG NO. GAP-AAA-PCI-161			
SIZE A4	UNITS MM[INCH]	DRAWN BY HUHUALIN 07/25'17		SHEET 2 / 2	SCALE 3:2	REV 1B

1 2 3 4 5 6 7 8

F

F

PART NUMBER	SPECIFICATION	DIM"A"
AAA-PCI-161-K13	PA46+40%GF UL-94V0_BLACK; PHOSPHOR BRONZE C5191_15u"; POST;L.T	2.30mm
AAA-PCI-161-K03	PA46+40%GF UL-94V0_BLACK; PHOSPHOR BRONZE C5191_G/F"; POST;L.T	2.30mm
AAA-PCI-161-P37	PA10T+35%GF UL-94V0_BLACK; PHOSPHOR BRONZE C5191_30u"; POST;L.T	2.30mm
AAA-PCI-161-K48	PA46+40%GF UL-94V0_BLUE 293C; PHOSPHOR BRONZE C5191_30u"; POST;L.T	2.30mm
AAA-PCI-161-K07	PA46+40%GF UL-94V0_BLACK; PHOSPHOR BRONZE C5191_G/F"; POST;L.T	3.10mm
AAA-PCI-161-K07_A	PA46+40%GF UL-94V0_BLACK; PHOSPHOR BRONZE C5191_G/F"; POST;L.T	3.10mm
AAA-PCI-161-P49_A	PA10T+35%GF UL-94V0_BLACK; PHOSPHOR BRONZE C5191_30u"; POST;L.T	3.10mm
AAA-PCI-161-P46	PA10T+35%GF UL-94V0_BLACK; PHOSPHOR BRONZE C5191_15u"; POST;L.T	3.10mm
AAA-PCI-161-K52	PA6T+35%GF UL-94V0_BLACK; PHOSPHOR BRONZE C5191_G/F; POST;L.T	2.30mm
AAA-PCI-161-K53	PA6T+35%GF UL-94V0_BLACK; PHOSPHOR BRONZE C5191_15U"; POST;L.T	2.30mm
AAA-PCI-161-K53_A	PA6T+35%GF UL-94V0_BLACK; PHOSPHOR BRONZE C5191_15U"; POST;L.T	2.30mm
AAA-PCI-161-K33_A	PA46+40%GF UL-94V0_BLACK; PHOSPHOR BRONZE C5191_15u"; POST;L.T	3.10mm
AAA-PCI-161-K33	PA46+40%GF UL-94V0_BLACK; PHOSPHOR BRONZE C5191_15u"; POST;L.T	3.10mm
AAA-PCI-161-K61	PA6T+35%GF UL-94V0_287C-1; PHOSPHOR BRONZE C5191_G/F; POST;L.T	2.30mm
AAA-PCI-161-K62	PA6T+35%GF UL-94V0_WHITE; PHOSPHOR BRONZE C5191_G/F; POST;L.T	2.30mm

E

E

D

D

C

C

B

B

A

A

1 2 3 4 5 6 7 8