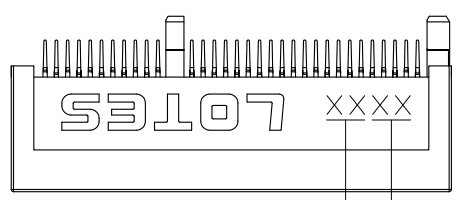
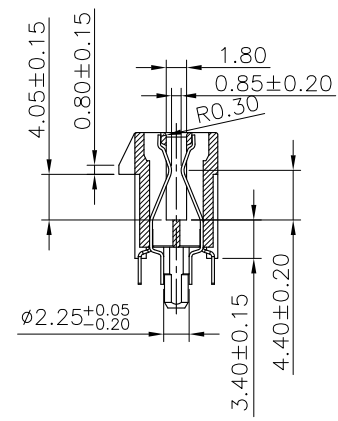
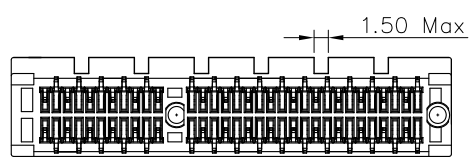
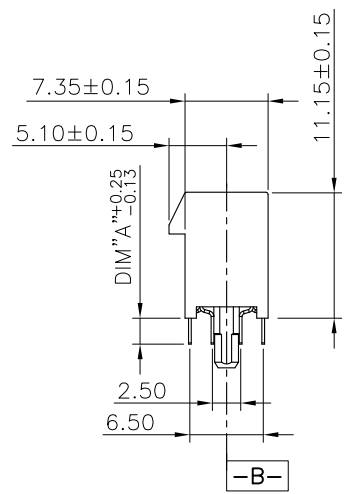
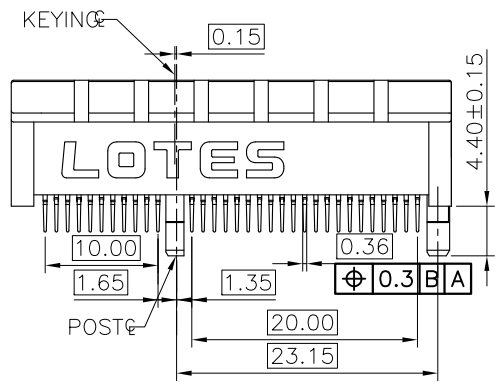
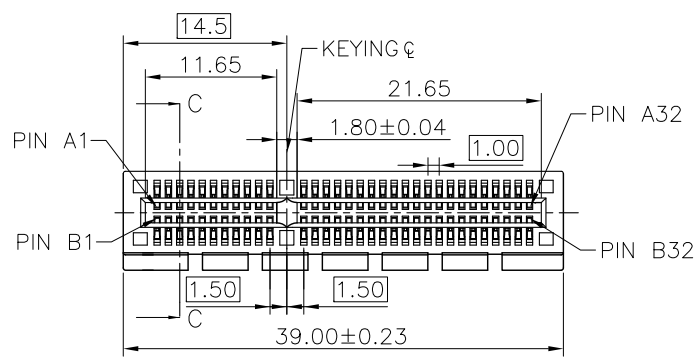


REV.	ECN NO./DESCRIPTION	DATE
2A	R160443	09/26'16
3	N170484	12/02'17
3A	R180014	06/19'18

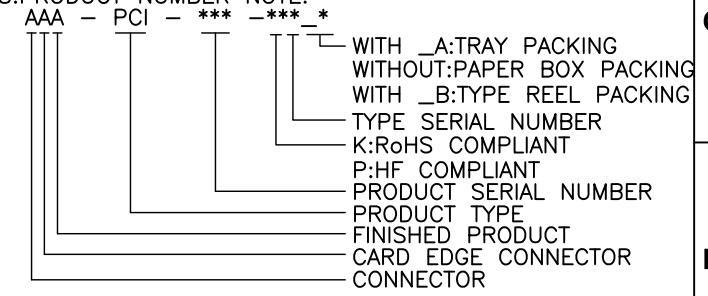


DATE CODE: WEEK YEAR

SECTION C-C

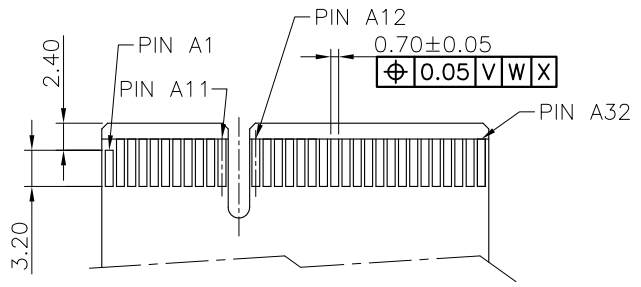
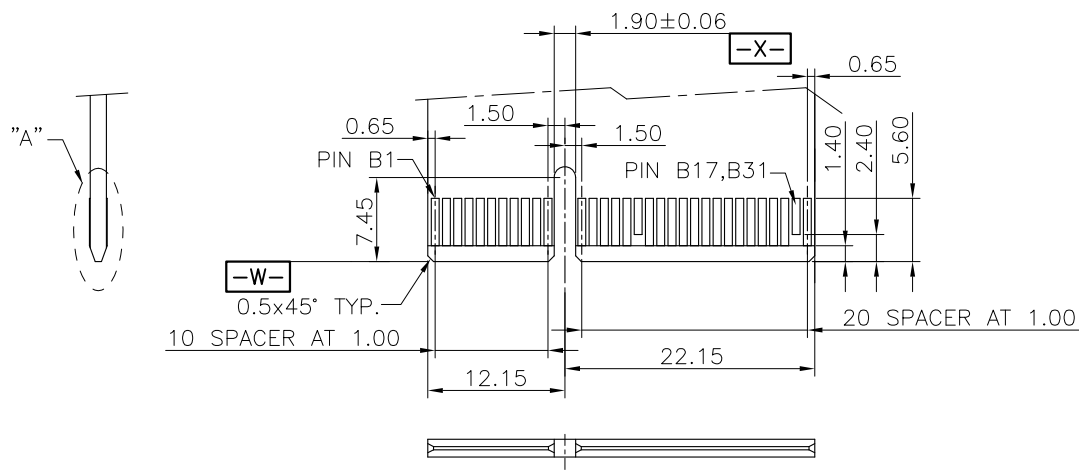
NOTES:

- MATERIAL:  
HOUSING: HIGH TEMPERATURE THERMOPLASTIC.  
TERMINAL: PHOSPHOR BRONZE C5191 OR BRASS C2680.
- FINISH:  
TERMINAL: 50u" NI PLATING OVER ALL;  
100u" MATTE Sn PLATING ON SOLDER TAIL;  
Au PLATING ON CONTACT AREA.
- MECHANICAL SPEC:  
DURABILITY: 50 CYCLES.  
RETENTION FORCE: 0.40 kgf MIN PER PIN.  
MATING FORCE: 1.15N MAX PER PAIR.  
UNMATING FORCE: 0.15N MIN PER PAIR.
- ELECTRICAL SPEC:  
CURRENT RATING: 1.1A.  
CONTACT RESISTANCE: 30 MILLIOHMS MAX. INITIAL.  
INSULATION RESISTANCE: 1000 MEGOHMS MIN.  
DIELECTRIC WITHSTANDING VOLTAGE: 500V AC MIN.
- WAVE SOLDERING:  
THE CONNECTOR SHALL BE MOUNTED ON THE PCB,  
THE TEMPERATURE OF THE SOLDER SHALL BE  
260±5°C AND IMMERSION DURATION 10±2 SECONDS.
- OPERATING TEMPERATURE RANGE -40~85°C .
- RoHS COMPLIANT OR HF COMPLIANT.
- PRODUCT NUMBER NOTE:

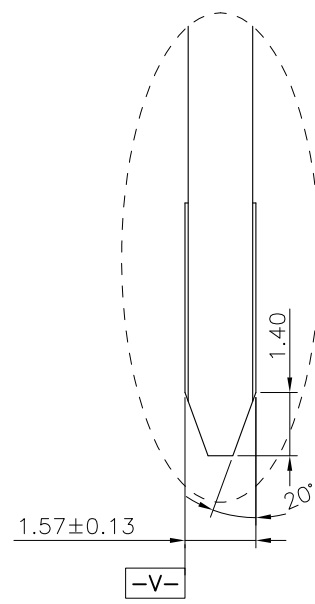


GENERAL TOLERANCES UNLESS SPECIFIED		PART NO.	<b>LOTES</b>			
.X ± 0.35 X.° ± 3°		SEE TABLE				
.XX ± 0.25 X.° ± 2°		APPROVED BY	TITLE			
.XXX ± 0.15 .XX° ± 1°		YINJIAXU 06/19'18	64PIN PCI-EXPRESS CONNECTOR			
CUSTOMER DRAWING		CHECKED BY	DWG NO.			
		MARK ZHANG 06/19'18	GAP-AAA-PCI-159			
SIZE	UNITS	DRAWN BY		SHEET	SCALE	REV
A4	MM[INCH]	ZHONG WEIXUE 0619'18		1 / 2	3:2	3A

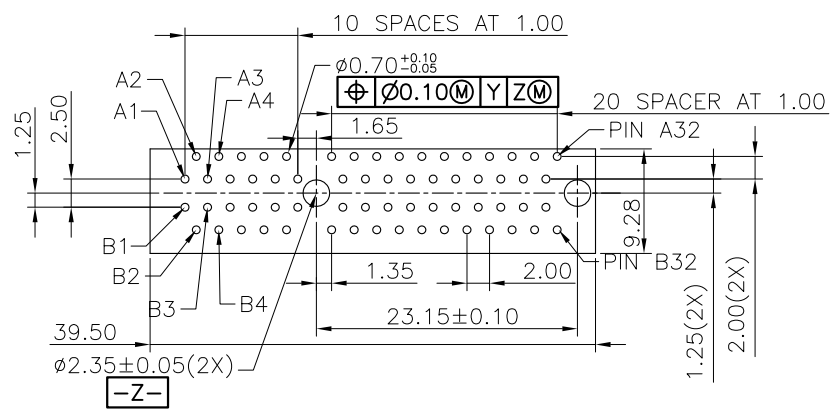
REV.	ECN NO./DESCRIPTION	DATE
2A	R160443	09/26'16
3	N170484	12/02'17
3A	R180014	06/19'18



ADD-IN CARD EDGE-FINGER DIMENSIONS  
DEFAULT TOLERANCE ±0.05.



DETAIL "A"  
SCALE 4/1



RECOMMENDED FOOTPRINT(TOP VIEW)  
DEFAULT TOLERANCE ±0.05.

GENERAL TOLERANCES UNLESS SPECIFIED		PART NO.	<b>LOTES</b>		
.X ± 0.35	X.° ± 3°	SEE TABLE	TITLE 64PIN PCI-EXPRESS CONNECTOR		
.XX ± 0.25	.X.° ± 2°	APPROVED BY YINJIAXU 06/19'18	DWG NO. GAP-AAA-PCI-159		
.XXX ± 0.15	.XX.° ± 1°	CHECKED BY MARK ZHANG 06/19'18	DRAWN BY ZHONG WEIXUE 06/19'18		
SIZE A4	UNITS MM[INCH]		SHEET 2 / 2	SCALE 3:2	REV 3A

	1	2	3	4	5	6	7	8
		PART NUMBER	HOUSING			TERMINAL		DIM"A"
		AAA-PCI-159-K01	PA46+40%GF UL-94V0_BLACK			PHOSPHOR BRONZE C5191_15u"		2.30
		AAA-PCI-159-K01_A	PA46+40%GF UL-94V0_BLACK			PHOSPHOR BRONZE C5191_15u"		2.30
		AAA-PCI-159-K02	PA46+40%GF UL-94V0_BLACK			PHOSPHOR BRONZE C5191_G/F		2.30
		AAA-PCI-159-K03	PA46+40%GF UL-94V0_WHITE			PHOSPHOR BRONZE C5191_G/F		2.30
		AAA-PCI-159-K21	PA46+40%GF UL-94V0_BLACK			PHOSPHOR BRONZE C5191_15u"		2.54
		AAA-PCI-159-P36	PPA+30%GF UL-94V0_BLACK			PHOSPHOR BRONZE C5191_G/F		2.30
		AAA-PCI-159-P37	PPA+30%GF UL-94V0_BLACK			PHOSPHOR BRONZE C5191_15u"		2.30
		AAA-PCI-159-K09	PA46+40%GF UL-94V0_BLACK			PHOSPHOR BRONZE C5191_15u"		3.10
		AAA-PCI-159-K10	PA46+40%GF UL-94V0_BLACK			PHOSPHOR BRONZE C5191_30u"		3.10
		AAA-PCI-159-K40	PA46+40%GF UL-94V0_WHITE			PHOSPHOR BRONZE C5191_15u"		2.30
		AAA-PCI-159-K41	PA46+40%GF UL-94V0_BLUE 293C			PHOSPHOR BRONZE C5191_15u"		2.30
		AAA-PCI-159-K11	PA46+40%GF UL-94V0_BLACK			PHOSPHOR BRONZE C5191_30u"		2.30
		AAA-PCI-159-K05	PA46+40%GF UL-94V0_BLACK			PHOSPHOR BRONZE C5191_G/F		3.10
		AAA-PCI-159-P40	PA46+30%GF UL-94V0_WHITE			PHOSPHOR BRONZE C5191_15u"		2.30
		AAA-PCI-159-K47_A	PA46+40%GF UL-94V0_BLACK			PHOSPHOR BRONZE C5191_15u"		2.30
		AAA-PCI-159-K09_A	PA46+40%GF UL-94V0_BLACK			PHOSPHOR BRONZE C5191_15u"		3.10
		AAA-PCI-159-P46	PA10T+35%GF UL-94V0_BLACK			PHOSPHOR BRONZE C5191_15u"		2.30
		AAA-PCI-159-K50	PA46+40%GF UL-94V0_BLACK			BRASS C2680_G/F		2.54
		AAA-PCI-159-K33	PA9T+30%GF UL-94V0_BLACK			PHOSPHOR BRONZE C5191_15u"		2.30
		AAA-PCI-159-K33_B	PA9T+30%GF UL-94V0_BLACK			PHOSPHOR BRONZE C5191_15u"		2.30
		AAA-PCI-159-P33	PA9T+45%GF UL-94V0_BLACK			PHOSPHOR BRONZE C5191_15u"		2.30
		AAA-PCI-159-P24	PA46+40%GF UL-94V0_WHITE			PHOSPHOR BRONZE C5191_30u"		2.30
		AAA-PCI-159-P45	PA10T+35%GF UL-94V0_BLACK			PHOSPHOR BRONZE C5191_30u"		2.30
		AAA-PCI-159-K02_A	PA46+40%GF UL-94V0_BLACK			PHOSPHOR BRONZE C5191_G/F		2.30
		AAA-PCI-159-P51	PA10T+35%GF UL-94V0_BLACK			PHOSPHOR BRONZE C5191_15u"		2.30
		AAA-PCI-159-K60_A	PA6T+35%GF UL-94V0_BLACK			PHOSPHOR BRONZE C5191_30u"		3.10
		AAA-PCI-159-K61_A	PA6T+35%GF UL-94V0_BLACK			PHOSPHOR BRONZE C5191_30u"		2.30
		AAA-PCI-159-K57_A	PA6T+35%GF UL-94V0_BLACK			PHOSPHOR BRONZE C5191_G/F		2.30