



A7600E-LNSE

Hardware Design

LTE Module

SIMCom Wireless Solutions Limited

SIMCom Headquarters Building, Building 3, No. 289 Linhong Road, Changning District, Shanghai P.R. China

Tel: 86-21-31575100

support@simcom.com

www.simcom.com

Document Title:	A7600E-LNSE Hardware Design
Version:	1.04
Date:	2021-01-14
Status:	Released

GENERAL NOTES

SIMCOM OFFERS THIS INFORMATION AS A SERVICE TO ITS CUSTOMERS, TO SUPPORT APPLICATION AND ENGINEERING EFFORTS THAT USE THE PRODUCTS DESIGNED BY SIMCOM. THE INFORMATION PROVIDED IS BASED UPON REQUIREMENTS SPECIFICALLY PROVIDED TO SIMCOM BY THE CUSTOMERS. SIMCOM HAS NOT UNDERTAKEN ANY INDEPENDENT SEARCH FOR ADDITIONAL RELEVANT INFORMATION, INCLUDING ANY INFORMATION THAT MAY BE IN THE CUSTOMER'S POSSESSION. FURTHERMORE, SYSTEM VALIDATION OF THIS PRODUCT DESIGNED BY SIMCOM WITHIN A LARGER ELECTRONIC SYSTEM REMAINS THE RESPONSIBILITY OF THE CUSTOMER OR THE CUSTOMER'S SYSTEM INTEGRATOR. ALL SPECIFICATIONS SUPPLIED HEREIN ARE SUBJECT TO CHANGE.

COPYRIGHT

THIS DOCUMENT CONTAINS PROPRIETARY TECHNICAL INFORMATION WHICH IS THE PROPERTY OF SIMCOM WIRELESS SOLUTIONS LIMITED COPYING, TO OTHERS AND USING THIS DOCUMENT, ARE FORBIDDEN WITHOUT EXPRESS AUTHORITY BY SIMCOM. OFFENDERS ARE LIABLE TO THE PAYMENT OF INDEMNIFICATIONS. ALL RIGHTS RESERVED BY SIMCOM IN THE PROPRIETARY TECHNICAL INFORMATION , INCLUDING BUT NOT LIMITED TO REGISTRATION GRANTING OF A PATENT , A UTILITY MODEL OR DESIGN. ALL SPECIFICATION SUPPLIED HEREIN ARE SUBJECT TO CHANGE WITHOUT NOTICE AT ANY TIME.

SIMCom Wireless Solutions Limited

SIMCom Headquarters Building, Building 3, No. 289 Linhong Road, Changning District, Shanghai P.R. China
Tel: +86 21 31575100
Email: simcom@simcom.com

For more information, please visit:

<https://www.simcom.com/download/list-863-en.html>

For technical support, or to report documentation errors, please visit:

<https://www.simcom.com/ask/> or email to: support@simcom.com

Copyright © 2020 SIMCom Wireless Solutions Limited All Rights Reserved.

Version History

Date	Version	Description of change	Author
2020-02-25	1.00	Original version.	Gaochao.li Cunbao.feng
2020-09-02	1.01	<ol style="list-style-type: none"> 1.Delete wifi information 2.Modify 2G max power TX mode current 3.Modify VBUS minimal effective high voltage 4.Modify document name 5.Update module top and bottom view 6.Modify recommend stencil thickness 7.Update Tray drawing 8.Add DTR and RI chapter 	Gaochao.li Cunbao.feng
2020-09-11	1.02	1.modify module view	Gaochao.li
2020-10-10	1.03	1.add USIM_DET pin description	Gaochao.li
2021-01-14	1.04	<ol style="list-style-type: none"> 1.Update baud rate value 2.Modify reset time 3.Update block diagram 4.Update sleep/idle mode current 	Gaochao.li

SIMCom
Confidential

Contents

1	Introduction.....	9
1.1	Product Outline.....	9
1.2	Hardware Interface Overview.....	10
1.3	Hardware Block Diagram.....	10
1.4	Functional Overview.....	11
2	Package Information.....	13
2.1	Pin Assignment Overview.....	13
2.2	Pin Description.....	15
2.3	Mechanical Information.....	20
2.4	Recommend PCB Footprint Dimension.....	22
2.5	Recommend Stencil Size.....	23
3	Interface Application.....	24
3.1	Power Supply.....	24
3.1.1	Power Supply Reference Design.....	25
3.1.2	Recommended Power Supply Circuit.....	26
3.1.3	Voltage Monitor.....	27
3.2	Power On/Off and Reset.....	27
3.2.1	Module Power on.....	27
3.2.2	Module Power off.....	29
3.2.3	Module Reset.....	30
3.3	UART.....	31
3.3.1	UART reference design.....	31
3.3.2	RI and DTR Behavior.....	32
3.4	USB Interface.....	33
3.4.1	USB Reference Design.....	33
3.4.2	USB_BOOT Interface.....	34
3.5	USIM Interface.....	35
3.5.1	USIM Application Guide.....	36
3.5.2	Recommend USIM Card Holder.....	37
3.6	PCM Interface.....	37
3.6.1	PCM Sequence.....	38
3.6.2	PCM Reference Design.....	38
3.7	GPIO Interface.....	39
3.8	SD Card Interface.....	40
3.8.1	Reference Design for External SD Card.....	40
3.9	I2C Bus.....	41
3.10	SPI Interface.....	41
3.11	SDIO Interface.....	42
3.12	Network status.....	42
3.13	Flight Mode Control.....	43

3.14	Other interface.....	44
3.14.1	ADC.....	44
3.14.2	LDO.....	45
4	RF Specifications.....	46
4.1	GSM/LTE Specifications.....	46
4.2	Antenna Requirements.....	47
4.3	Antenna Reference Design.....	48
5	Electrical Specifications.....	49
5.1	Absolute Maximum Ratings.....	49
5.2	Operating conditions.....	49
5.3	Operating Mode.....	50
5.3.1	Operating Mode Definition.....	50
5.3.2	Sleep mode.....	51
5.3.3	Minimum functionality mode and Flight mode.....	51
5.4	Current Consumption.....	52
5.5	ESD Notes.....	53
6	SMT Production Guide.....	54
6.1	Top and Bottom View of A7600E-LNSE.....	54
6.2	Label Information.....	55
6.3	Typical SMT Reflow Profile.....	56
6.4	Moisture Sensitivity Level (MSL).....	56
7	Packaging.....	58
8	Appendix.....	61
8.1	Coding Schemes and Maximum Net Data Rates over Air Interface.....	61
8.2	Related Documents.....	63
8.3	Terms and Abbreviations.....	64
8.4	Safety Caution.....	65

Table Index

Table 1: A7600E-LNSE frequency bands.....	9
Table 2: General features.....	11
Table 3: Pin Description.....	14
Table 4: IO parameters definition.....	15
Table 5: 1.8V IO electrical parameters definition.....	16
Table 6: I2C/USIM/SD IO electrical parameters definition.....	16
Table 7: Pin description.....	17
Table 8: VBAT Pin electrical parameters.....	25
Table 9: Recommended TVS diode list.....	26
Table 10: Power on sequence parameters.....	28
Table 11: Power off sequence parameters.....	30
Table 12: RESET electric parameter.....	31
Table 13: USB_BOOT description.....	34
Table 14: USIM electronic characteristic in 1.8V mode (USIM_VDD=1.8V).....	35
Table 15: USIM electronic characteristic in 3.0V mode (USIM_VDD=3V).....	35
Table 16: Amphenol USIM socket pin description.....	37
Table 17: PCM parameter list.....	38
Table 18: Standard GPIO Resources.....	39
Table 19: SD card electrical parameter (SD_DATA0-SD_DATA3, SD_CLK and SD_CMD).....	40
Table 20: SDIO interface description.....	42
Table 21: 2G mode NETLIGHT pin status.....	43
Table 22: LTE mode NETLIGHT pin status.....	43
Table 23: FLIGHTMODE pin control.....	44
Table 24: ADC1 and ADC2 electronic characteristics.....	44
Table 25: VDD_1V8 Electrical characteristics.....	45
Table 26: VDD_AUX Electrical characteristics.....	45
Table 27: Conducted transmission power.....	46
Table 28: Band information 2G.....	46
Table 29: Band information E-UTRA.....	46
Table 30: Reception sensitivity conduction.....	47
Table 31: Reference sensitivity (QPSK).....	47
Table 32: Recommended Antenna Characteristics.....	47
Table 33: TVS recommended part list.....	48
Table 34: Absolute maximum ratings.....	49
Table 35: Recommended operating ratings.....	49
Table 36: 1.8V Digital I/O characteristics*.....	49
Table 37: Operating temperature.....	50
Table 38: Operating mode Definition.....	50
Table 39: Current consumption on VBAT Pins (VBAT=3.8V).....	52
Table 40: The ESD performance measurement table (Temperature: 25°C, Humidity: 45%).....	53

Table 41: The description of label information.....	55
Table 42: Moisture Sensitivity Level and Floor Life.....	56
Table 43: Tray size.....	59
Table 44: Small Carton size.....	59
Table 45: Big Carton size.....	60
Table 46: Coding Schemes and Maximum Net Data Rates over Air Interface.....	61
Table 47: Related Documents.....	63
Table 48: Terms and Abbreviations.....	64
Table 49: Safety Caution.....	65

SIMCom
Confidential

Figure Index

Figure 1: Block diagram.....	11
Figure 2: Module pin diagram (Top view).....	13
Figure 3: Dimension drawing (Unit: mm).....	21
Figure 4: Recommend PCB footprint Dimension (Unit: mm).....	22
Figure 5: Recommend stencil dimension (Unit: mm).....	23
Figure 6: Burst current cause VBAT drop.....	24
Figure 7: VBAT input reference circuit.....	26
Figure 8: Recommended circuit for linear power supply.....	26
Figure 9: Recommended circuits for switching power supply.....	26
Figure 10: Power on/off reference circuit.....	27
Figure 11: PWRKEY power on sequence.....	28
Figure 12: PWRKEY power off sequence.....	29
Figure 13: Reference reset circuit.....	30
Figure 14: Serial port connection diagram (full function mode).....	31
Figure 15: Serial port connection diagram (NULL mode).....	31
Figure 16: Triode level conversion circuit.....	32
Figure 17: RI behaviour (SMS, URC report and incoming call).....	32
Figure 18: USB circuit diagram.....	33
Figure 19: Reference USB_BOOT circuit.....	34
Figure 20: Force-download port.....	35
Figure 21: USIM interface reference circuit.....	36
Figure 22: USIM interface reference circuit(8 PIN).....	36
Figure 23: Amphenol C707 10M006 512 USIM card socket.....	37
Figure 24: PCM sequence.....	38
Figure 25: PCM reference circuit.....	39
Figure 26: SD reference circuit.....	40
Figure 27: I2C reference circuit.....	41
Figure 28: NETLIGHT reference circuit.....	42
Figure 29: Flight mode switch reference circuit.....	44
Figure 30: MAIN antenna connection circuit.....	48
Figure 31: Top and bottom view of A7600E-LNSE.....	54
Figure 32: Label information.....	55
Figure 33: The ramp-soak-spike reflow profile of A7600E-LNSE.....	56
Figure 34: packaging diagram.....	58
Figure 35: Tray drawing.....	58
Figure 36: Small carton drawing.....	59
Figure 37: Big carton drawing.....	59

1 Introduction

This document describes the hardware interface of the module, which can help users quickly understand the interface definition, electrical performance and structure size of the module. Combined with this document and other application documents, users can understand and use A7600E-LNSE module to design and develop applications quickly.

SIMCom provides a complete set of evaluation board to facilitate the test and use of A7600E-LNSE module. The evaluation board tool comprises an EVB board, an antenna, and other peripherals.

1.1 Product Outline

A7600E-LNSE module support GSM, LTE-TDD and LTE-FDD. Please refer to the following table for detailed frequency band Description:

Table 1: A7600E-LNSE frequency bands

STANDARD	BAND	A7600E-LNSE
GSM	EGSM900MHz	✓
	DCS1800MHz	✓
LTE-FDD	LTE-FDD B1	✓
	LTE-FDD B3	✓
	LTE-FDD B5	✓
	LTE-FDD B7	✓
	LTE-FDD B8	✓
	LTE-FDD B20	✓
	LTE-TDD	LTE TDD B38
	LTE TDD B40	✓
Category		CAT1

With a small physical dimension of 30 * 30 * 2.5 mm, which can meet the requirements of space size in almost all M2M applications, such as vehicle, metering, security, routing, wireless POS, mobile computing equipment, PDA, tablet computer, etc.

A7600E-LNSE provides 119 pins, including 87 LCC pins in the outer ring and 32 LGA pins in the inner ring. This document will introduce all the functional pins.

1.2 Hardware Interface Overview

A7600E-LNSE provides the following hardware interfaces.

- Power input
- USB 2.0 interface
- Two UART interfaces, one full function serial port and one debug serial port
- SDC interfaces
- USIM card interface
- General input and output interfaces (GPIO)
- ADC interfaces
- Power supply output
- PCM digital audio interface
- I2C interfaces
- USB boot download and guidance interface
- SPI interface
- Network status indication interface
- Antenna interfaces
- Module operation status indication interface
- Flight mode control interface

1.3 Hardware Block Diagram

The block diagram of the A7600E-LNSE module is shown in the figure below.

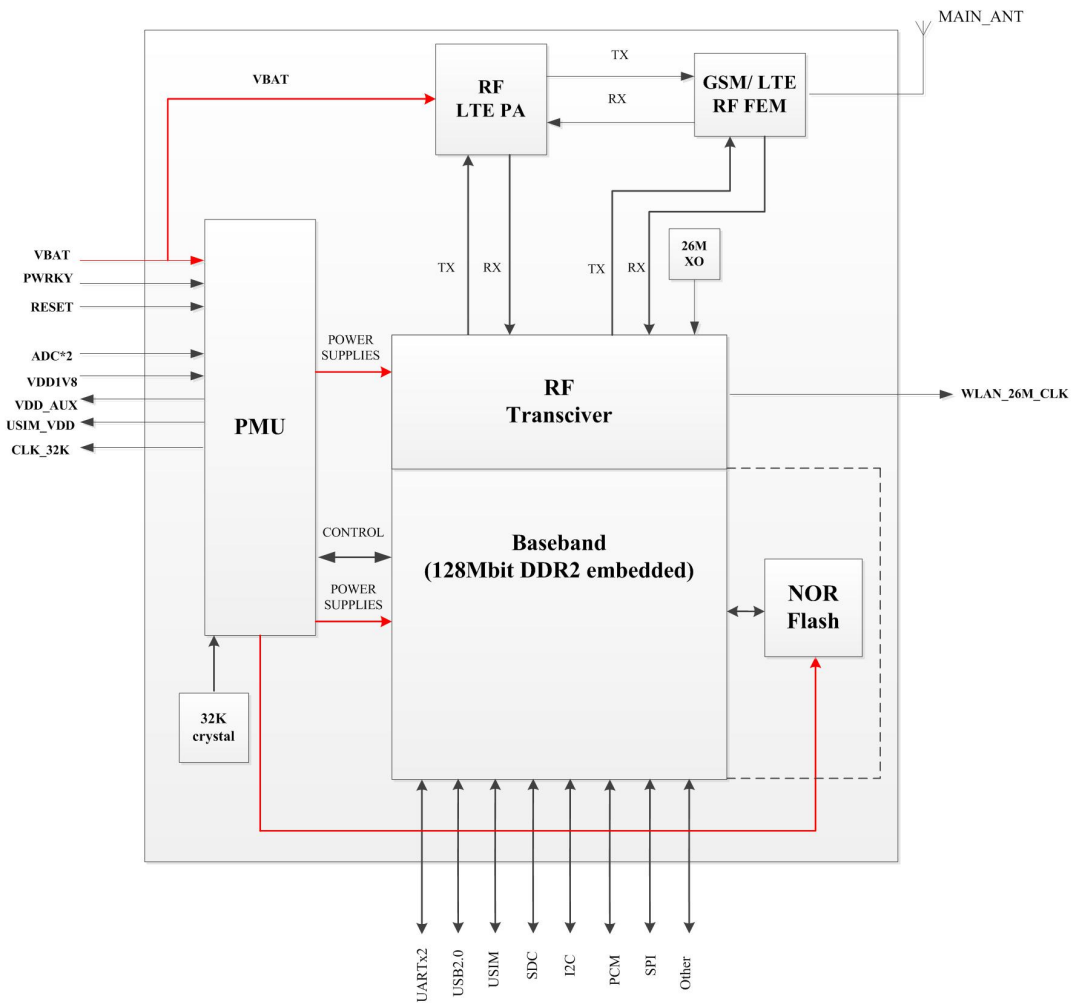


Figure 1: Block diagram

1.4 Functional Overview

Table 2: General features

Feature	Implementation
Power supply	VBAT: 3.4V ~4.2V, Recommended VBAT: 3.8V
Power consumption	Current consumption in sleep mode: <3.5mA
BAND	Refer to Table 1
TX power	GSM/GPRS power level: -- EGSM900: 4 (33dBm ±2dB)

	<p>-- DCS1800: 1 (30dBm±2dB) EDGE power level: -- EGSM900: E2 (27dBm±3dB) -- DCS1800 : E1 (26dBm+3/-4dB) LTE power level: 3 (23dBm±2.7dB)</p>
Data transmission throughput	<p>GPRS Multiple time slot level 12 EDGE Multiple time slot level 12 FDD-LTE category 1 : 10 Mbps (DL),5 Mbps (UL) TDD-LTE category 1 : 10 Mbps (DL),5 Mbps (UL)</p>
Antenna interface	GSM/LTE Main antenna interface
Short Message (SMS)	<p>MT,MO, CB, Text , PDU mode Short Message (SMS) storage device: USIM Card, CB does not support saving in SIM Card Support CS domain and PS domain SMS</p>
USIM Card interface	Support 1.8V/3V USIM card
USIM application toolkit	<p>Support SAT class3, GSM 11.14 Release 99 Support USAT</p>
Phonebook management	Support phonebook types : SM/FD/ON/AP/SDN
Audio feature	PCM Digital Audio interface
UART interface	<p>●Full function serial port Baud rate support from 9600bps to 3.6Mbps AT command and data can be sent through serial port Support RTS/CTS Hardware flow control Support serial port multiplexing function conforming to GSM 07.10 protocol ●Debug serial port Support debug usage</p>
SD/SDIO	<p>Support SDC interfaces, clock frequency up to 200MHz SDIO interface</p>
USB interface	<p>USB 2.0 compliant, host mode not supported. This interface can be used for AT command sending, data transmission, software debugging and upgrading.</p>
Firmware upgrade	Firmware upgrade over USB interface
Physical characteristics	<p>Dimension: 30*30*2.5mm Weight: 4.48g</p>
Temperature range	<p>Operation temperature: -30℃ ~ +80℃ Extended operation temperature: -40℃ ~ +85℃* Storage temperature: -45℃ ~ +90℃</p>

NOTE

Module is able to make and receive voice calls, data calls, SMS and make GPRS/LTE traffic in **-40℃ ~ +85℃** . The performance will be reduced slightly from the 3GPP specifications if the temperature is outside the normal operating temperature range and still within the extended operating temperature range.

2 Package Information

2.1 Pin Assignment Overview

A7600E-LNSE provides 119 pins interface. All functions of the MODULE will be provided through 119 pads that will be connected to the customers' platform. The following Figure is the TOP view of the pin assignment of the MODULE.

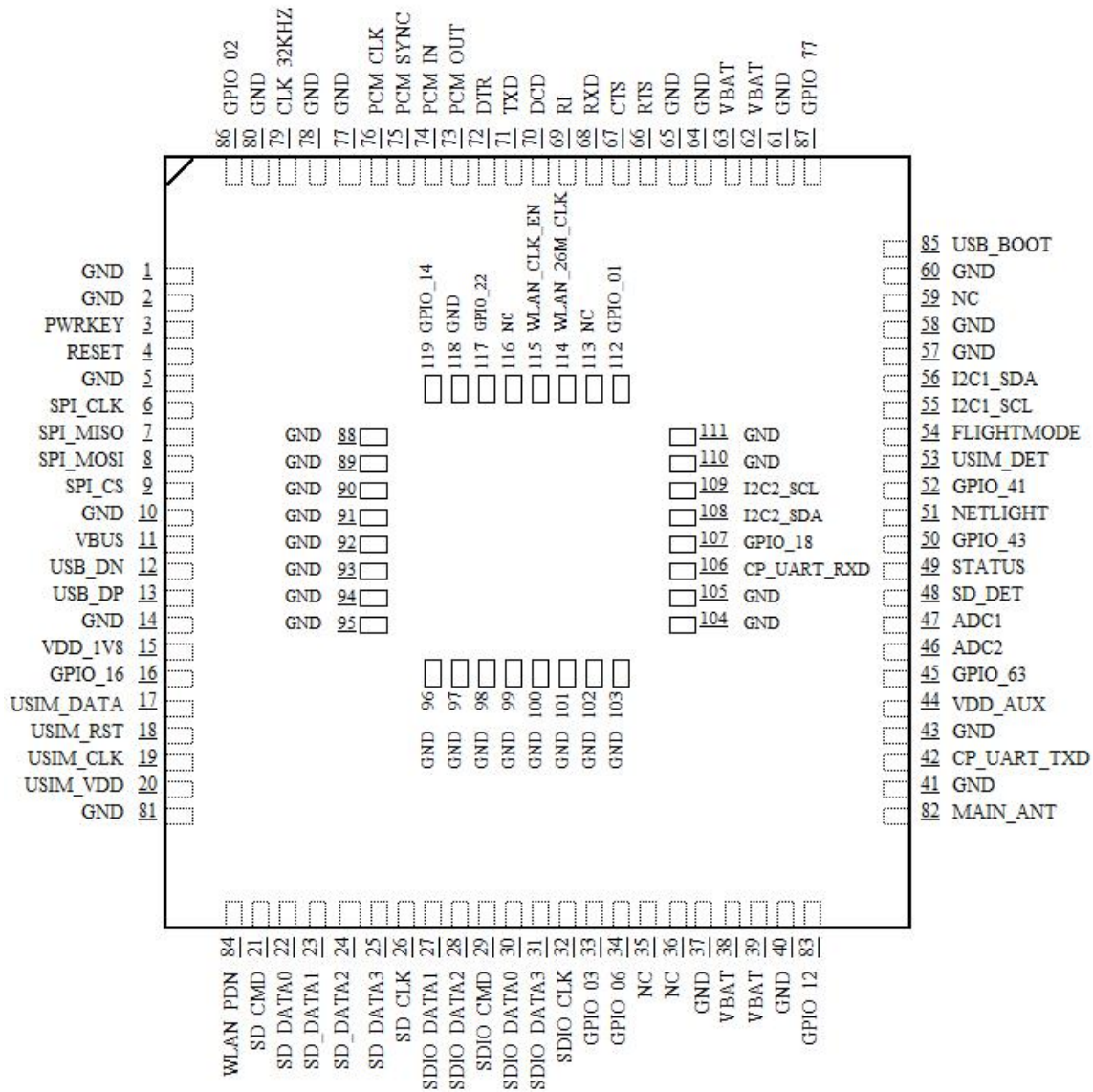


Figure 2: Module pin diagram (Top view)

Table 3: Pin Description

Pin No.	Pin name	Pin No.	Pin name
1	GND	2	GND
3	PWRKEY	4	RESET
5	GND	6	SPI_CLK
7	SPI_MISO	8	SPI_MOSI
9	SPI_CS	10	GND
11	VBUS	12	USB_DN
13	USB_DP	14	GND
15	VDD_1V8	16	GPIO_16
17	USIM_DATA	18	USIM_RST
19	USIM_CLK	20	USIM_VDD
21	SD_CMD	22	SD_DATA0
23	SD_DATA1	24	SD_DATA2
25	SD_DATA3	26	SD_CLK
27	SDIO_DATA1	28	SDIO_DATA2
29	SDIO_CMD	30	SDIO_DATA0
31	SDIO_DATA3	32	SDIO_CLK
33	GPIO_03	34	GPIO_06
35	NC	36	NC
37	GND	38	VBAT
39	VBAT	40	GND
41	GND	42	CP_UART_TXD
43	GND	44	VDD_AUX
45	GPIO_63	46	ADC2
47	ADC1	48	SD_DET
49	STATUS	50	GPIO_43
51	NETLIGHT	52	GPIO_41
53	USIM_DET	54	FLIGHTMODE
55	I2C1_SCL	56	I2C1_SDA
57	GND	58	GND
59	NC	60	GND
61	GND	62	VBAT
63	VBAT	64	GND
65	GND	66	RTS
67	CTS	68	RXD
69	RI	70	DCD
71	TXD	72	DTR
73	PCM_OUT	74	PCM_IN

75	PCM_SYNC	76	PCM_CLK
77	GND	78	GND
79	CLK_32KHZ	80	GND
81	GND	82	MAIN_ANT
83	GPIO_12	84	WLAN_PDN
85	USB_BOOT	86	GPIO_02
87	GPIO_77	88	GND
89	GND	90	GND
91	GND	92	GND
93	GND	94	GND
95	GND	96	GND
97	GND	98	GND
99	GND	100	GND
101	GND	102	GND
103	GND	104	GND
105	GND	106	CP_UART_RXD
107	GPIO_18	108	I2C2_SDA
109	I2C2_SCL	110	GND
111	GND	112	GPIO_01
113	NC	114	WLAN_26M_CLK
115	WLAN_CLK_EN	116	NC
117	GPIO_22	118	GND
119	GPIO_14		

NOTE

'USB_BOOT' Pin cannot be pulled up before the module powered up, otherwise it will affect the normal start-up of the module.

2.2 Pin Description

Table 4: IO parameters definition

Pin type	Description
PI	Power input
PO	Power output
AI	Analog input
AO	Analog output
I/O	Input/output

DI	Digital input
DO	Digital output
DOH	Digital output with high level
DOL	Digital output with low level
PU	Pull up
PD	Pull down
OD	Open Drain

Table 5: 1.8V IO electrical parameters definition

Power domain	Parameter	Description	Min	Typ.	Max
1.8V	VCC=1.8V				
	VIH	High level input	$VCC * 0.7$	1.8V	$VCC + 0.4$
	VIL	Low level input	-0.4	0V	$VCC * 0.25$
	Rpu	Pull up resistor	-	100 K Ω	-
	Rpd	Pull down resistor	-	100 K Ω	-
1.8V	VCC=1.8V Typical				
	IIL	Input leakage current	-	-	10uA
	Output DC Operating Conditions (VCC = 1.8 V Typical)				
	VOH	Output high level range	$VCC - 0.4$	-	VCC
	VOL	Output low level range	-	-	0.2V
	MFPR[DCS]= 1 0	Maximum current driving capacity at high level output			IOH = (mA min) 2 mA 4 mA

Table 6: I2C/USIM/SD IO electrical parameters definition

Power domain	Parameter	Description	Min	Typ.	Max
1.8V(I2C/USIM/SD)	VCC=1.8V				
	VIH	High level input	$VCC * 0.7$	1.8V	$VCC + 0.4$
	VIL	Low level input	-0.4	0V	$VCC * 0.25$
	Rpu	Pull up resistor	-	25 K Ω	-
	Rpd	Pull down resistor	-	25 K Ω	-
3V(USIM/SD)	VCC=3V				
	VIH	High level input	$VCC * 0.75$	-	$VCC + 0.4$
	VIL	Low level input	-0.4	-	$VCC * 0.25$
	Rpu	Pull up resistor	-	50K	-
	Rpd	Pull down resistor	-	50K	-

1.8V(I2C/USIM/SD)	VCC = 1.8V Typical				
	IIL	Input leakage current	-	-	2uA
	Output DC Operating Conditions (VCC = 1.8 V Typical)				
	VOH	Output high level range	VCC - 0.4	-	VCC
	VOL	Output low level range	-	-	0.2V
3V(USIM/SD)	VCC = 3V Typical				
	IIL	Input leakage current	-	-	2uA
	Output DC Operating Conditions (VCC = 1.8 V Typical)				
	VOH	Output high level range	VCC - 0.4	-	VCC
	VOL	Output low level range	-	-	0.3V

Table 7: Pin description

Pin name	Pin No.	Pin parameter		Description	Note
		Power domain	Type		
Power supply					
VBAT	38,39,62,63	-	PI	A7600E-LNSE input voltage ranges from 3.4V to 4.2V, and the peak current value can reach 2.8A.	
VDD_AUX	44	-	PO	Output current limit: 400mA, Output voltage: 3V (default).	SD card power supply
VDD_1V8	15	-	PO	1.8V power output, output current up to 50 mA. It is on by default.	If unused, keep it open.
GND	1,2,5,10,14,37,40,41,43,57,58,60,61,64,65,77,78,80,81,88~105,110,111,118	-	-	Ground	
System Control					
PWRKEY	3	-	DI,PU	Power ON/OFF input, active low. VIH: 0.7*VBAT VIL: 0.5V	PWRKEY has been internally pulled-up to VBAT with 50KΩ resistor, default high.

RESET	4	-	DI,PU	System reset control input, active low. VIH: 0.7*VBAT VIL: 0.5V	RESET has been pulled-up to VBAT with 50KΩ (typical) resistor, default high.
-------	---	---	-------	---	--

SDC interface

SD_CMD	21	1.8/3.0V	I/O,PU	SDC bus command output	If unused, keep it open.
SD_DATA0	22	1.8/3.0V	I/O,PU	SDC bus data I/O	
SD_DATA1	23	1.8/3.0V	I/O,PU		
SD_DATA2	24	1.8/3.0V	I/O,PU		
SD_DATA3	25	1.8/3.0V	I/O,PU		
SD_CLK	26	1.8/3.0V	DO,PD	SDC bus clock output	

USIM interface

USIM_DATA	17	1.8/3.0V	I/O,PU	USIM bus data, this pin has been pull-up with 4.7KΩ resistor to USIM_VDD.	
USIM_RST	18	1.8/3.0V	I/O,PU	USIM bus reset output.	
USIM_CLK	19	1.8/3.0V	I/O,PU	USIM bus clock output.	
USIM_DET	53	1.8V	DI,PU	USIM insert detect, can be set to active high/low by sending AT command, please refer to document [21].	
USIM_VDD	20	1.8/3.0V	PO	USIM card power supply output, Supports 1.8v/3.0v output according to the card type, Its output current is up to 50mA.	

USB interface

VBUS	11	-	AI	Valid USB detection input. Vmin=3V Vtyp=5V Vmax=5.4V	
USB_DN	12	-	I/O	Negative line of the differential, bi-directional USB signal.	
USB_DP	13	-	I/O	Positive line of the differential, bi-directional USB signal.	

Full function UART interface

RTS	66	1.8V	DO	RTS output	If unused, keep it open.
CTS	67	1.8V	DI	CTS input	
RXD	68	1.8V	DI	Data input	
TXD	71	1.8V	DOH	Data output	
RI	69	1.8V	DO	Ring indicator	
DCD	70	1.8V	DO	Carrier detection	
DTR	72	1.8V	DI	DTE Ready	

SPI interface

SPI_CLK	6	1.8V	DO	Clock signal	If unused, keep it open.
SPI_MISO	7	1.8V	DI	Master device data input,	

				slave device data output	
SPI_MOSI	8	1.8V	DO	Master device data output, slave device data input	
SPI_CS	9	1.8V	DO	Chip Select	
Debug UART					
CP_UART_TX D	42	1.8V	DOH	Log output	Default used as debug port.
CP_UART_RX D	106	1.8V	DI	Log input	
I2C interface					
I2C2_SCL	109	1.8V	DO	I2C clock output	If unused, keep it open. These pins have been Internally pull-up to VDD_1.8. External power supply cannot be used to pull up these pins, otherwise there will be voltage leakage.
I2C2_SDA	108	1.8V	I/O	I2C data I/O	
I2C1_SCL	55	1.8V	DO	I2C clock output	
I2C1_SDA	56	1.8V	I/O	I2C data I/O	
SDIO interface					
SDIO_DATA1	27	1.8V	I/O	SDIO data bus byte 1	
SDIO_DATA2	28	1.8V	I/O	SDIO data bus byte 2	
SDIO_CMD	29	1.8V	I/O	SDIO bus command	
SDIO_DATA0	30	1.8V	I/O	SDIO data bus byte 0	
SDIO_DATA3	31	1.8V	I/O	SDIO data bus byte 3	
SDIO_CLK	32	1.8V	DO	SDIO bus clock	
PCM interface					
PCM_OUT	73	1.8V	DO,PD	PCM data output	If unused, keep it open.
PCM_IN	74	1.8V	DI,PD	PCM data input	
PCM_SYNC	75	1.8V	I/O,PD	PCM SYNC signal	
PCM_CLK	76	1.8V	DO,PU	PCM clock output	
GPIO					
GPIO_16	16	1.8V	IO,PU	General purple I/O	If unused, keep it open.
GPIO_03	33	1.8V	IO,PU	General purple I/O	If unused, keep it open.
GPIO_06	34	1.8V	IO,PD	General purple I/O	If unused, keep it open.
GPIO_63	45	1.8V	IO,PD	General purple I/O	If unused, keep it open.
GPIO_43	50	1.8V	IO,PU	General purple I/O	If unused, keep it

					open.
GPIO_41	52	1.8V	IO,PU	General purple I/O	If unused, keep it open.
GPIO_12	83	1.8V	IO,PD	General purple I/O	If unused, keep it open.
GPIO_02	86	1.8V	IO,PU	General purple I/O	If unused, keep it open.
GPIO_77	87	1.8V	IO,PU	General purple I/O	If unused, keep it open.
GPIO_18	107	1.8V	IO,PD	General purple I/O	If unused, keep it open.
GPIO_01	112	1.8V	IO,PD	General purple I/O	If unused, keep it open.
GPIO_22	117	1.8V	IO,PD	General purple I/O	If unused, keep it open.
GPIO_14	119	1.8V	IO,PD	General purple I/O	If unused, keep it open.
ANT interface					
MAIN_ANT	82	-	AIO	Main ANT interface	
Other pins					
ADC1	47	-	AI	General Purpose ADC	If unused, keep it open.
ADC2	46	-	AI	General Purpose ADC	If unused, keep it open.
CLK_32KHZ	79	-	DO	32K CLK Buffered crystal output.	If unused, keep it open.
NETLIGHT	51	1.8V	DO	Network registration status indicator (LED). For more detail, please refer the chapter 3.12.	
FLIGHTMODE	54	1.8V	DI	*Flight mode control input : High level (suspended): normal mode Low level: flight mode	
USB_BOOT	85	1.8V	DI	Firmware download guide control input. when pull-up to 1.8V and press PWRKEY,A7600E-LNSE will access in USB download mode.	Do place 2 test points for debug. Do not pull up usb_boot during normal power up!

2.3 Mechanical Information

The following figure shows the package outline drawing of A7600E-LNSE module.

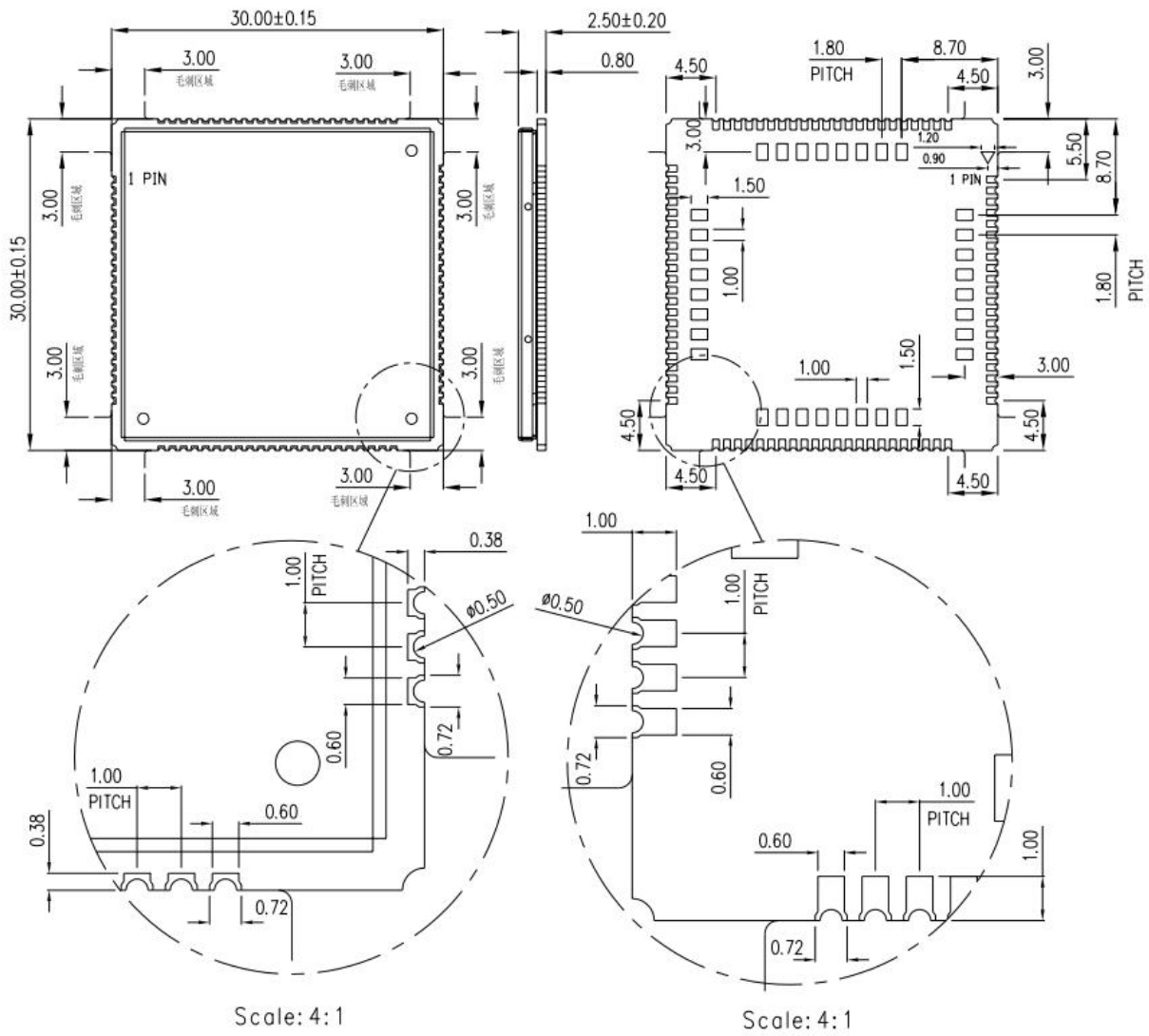


Figure 3: Dimension drawing (Unit: mm)

NOTE

The size of 30*30mm do not include Burr area.

2.4 Recommend PCB Footprint Dimension

Recommended PCB footprint outline
(Unit:mm)

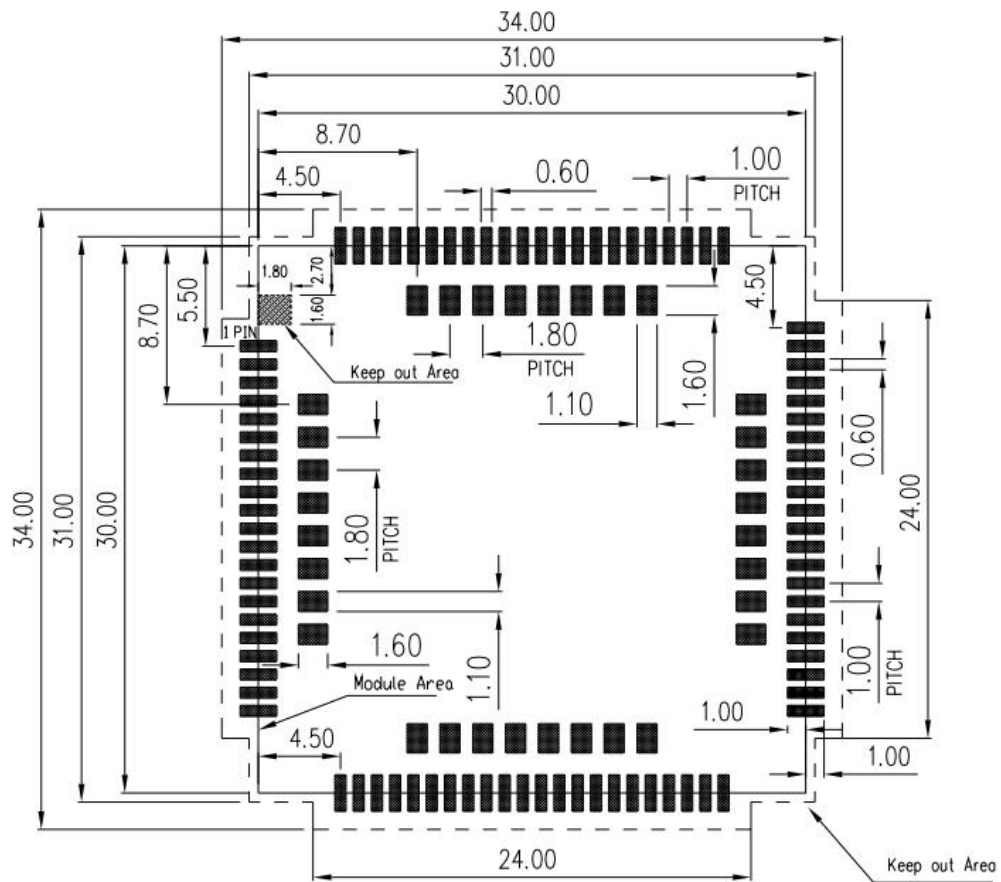


Figure 4: Recommend PCB footprint Dimension (Unit: mm)

2.5 Recommend Stencil Size

Recommend stencil thickness $\geq 0.15\text{mm}$ and $< 0.18\text{mm}$.

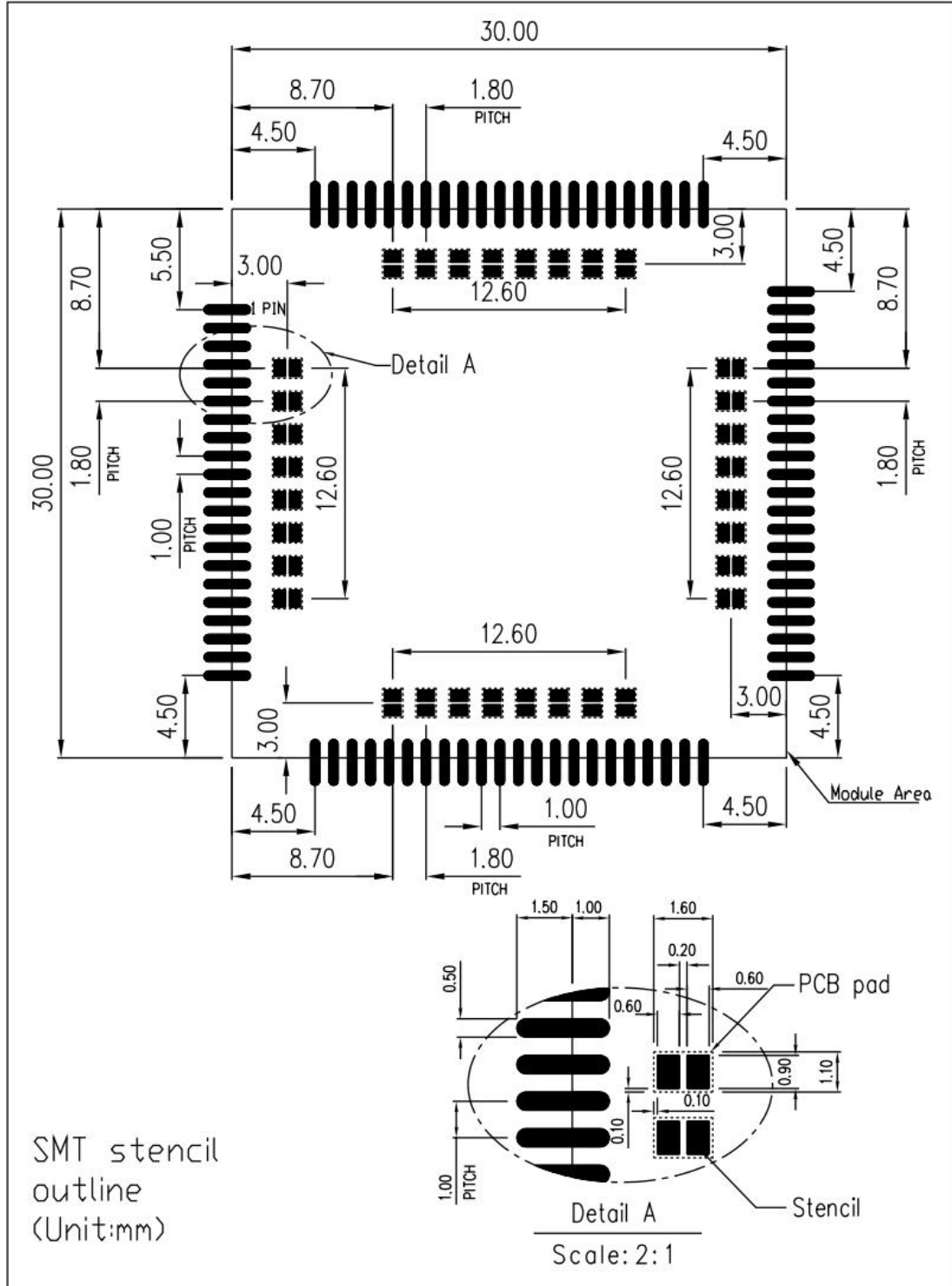


Figure 5: Recommend stencil dimension (Unit: mm)

3 Interface Application

3.1 Power Supply

A7600E-LNSE offers four power supply PINs (38, 39, 62, 63) as VBAT power input PIN. A7600E-LNSE use these four PINs supply the internal RF and baseband circuit.

If the customer adopts the double-layer board design, the power supply of the module can only connect 62, 63 pins, or only connect 38, 39 pins, because these four pins are connected together internally, so that the customer's PCB can get a better ground plane.

When the module is at the maximum power in GSM TX mode, the peak current can reach 2A (peak current), which results in a large voltage drop on Vbat. In order to ensure that the voltage drop is less than 300mV, the power supply capacity of external power supply must be no less than 2A.

The following figure shows the Vbat voltage drop.

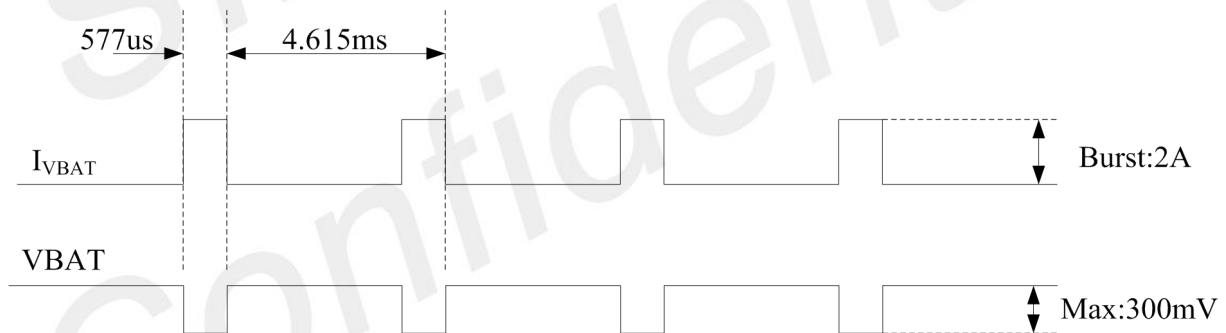


Figure 6: Burst current cause VBAT drop

NOTE

Test condition : Vbat power supply 3.8V. Test on SIMCom EVB board and with 330 μ f tantalum capacitance on Vbat.

Table 8: VBAT Pin electrical parameters

Parameter	Description	Min	Typ.	Max	Unit
V _{BAT}	Module supply voltage	3.4	3.8	4.2	V
I _{V_{BAT}(peak)}	Module consumption peak current	-	2	-	A
I _{V_{BAT}(average)}	Module average consumption current (normal mode)	Refer to figure 39			
I _{V_{BAT}(sleep)}	Module average consumption current (sleep mode)				
I _{V_{BAT}(power-off)}	Module average consumption current (off leakage current)	-	20	-	uA

3.1.1 Power Supply Reference Design

In the user's design, Make sure that the voltage on the VBAT pins will never drop below 3.4V even when the module current consumption reaches 2A. If the voltage drops below 3.4V, the RF performance of the module will be affected.

NOTE

when the power supply can provide a peak current of 2A, the total capacity of the external power supply capacitance is recommended to be no less than 300uf. If the peak current of 2A cannot be provided, the total capacity of the external capacitance is recommended to be no less than 1000uf to ensure that the voltage drop on the Vbat pin at any time is not more than 300mV.

It is recommended to place two 0.1 / 1 μ f ceramic capacitors near Vbat to improve RF performance and system stability. At the same time, it is recommended that the Vbat layout routing width from the power supply on the PCB to the module be at least 2mm. Reference design recommendations are as follows:

If the Vbat input contains high-frequency interference, it is recommended to add magnetic beads for filtering. The recommended types of magnetic beads are BLM21PG300SN1D and MPZ2012S221A.

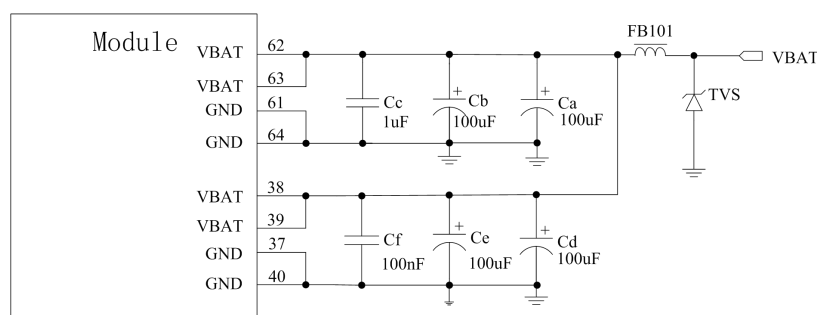


Figure 7: VBAT input reference circuit

In addition, in order to prevent the damage of A7600E-LNSE caused by surge and overvoltage, it is recommended to parallel one TVS on the Vbat pin of the module.

Table 9: Recommended TVS diode list

No.	Manufacturer	Part Number	V_{RWM}	Package
1	JCET	ESDBW5V0A1	5V	DFN1006-2L
2	Prisemi	PESDHC2FD4V5BH	4.5V	DFN1006-2L
3	WAYON	WS05DPF-B	5V	DFN1006-2L
4	WILL	ESD5611N	5V	DFN1006-2L
5	WILL	ESD56151W05	5V	SOD-323
6	WAYON	WS4.5DPV	4.5V	DFN1610-2L

3.1.2 Recommended Power Supply Circuit

It is recommended that a switching mode power supply or a linear regulator power supply is used. The following figure shows the linear regulator reference circuit:

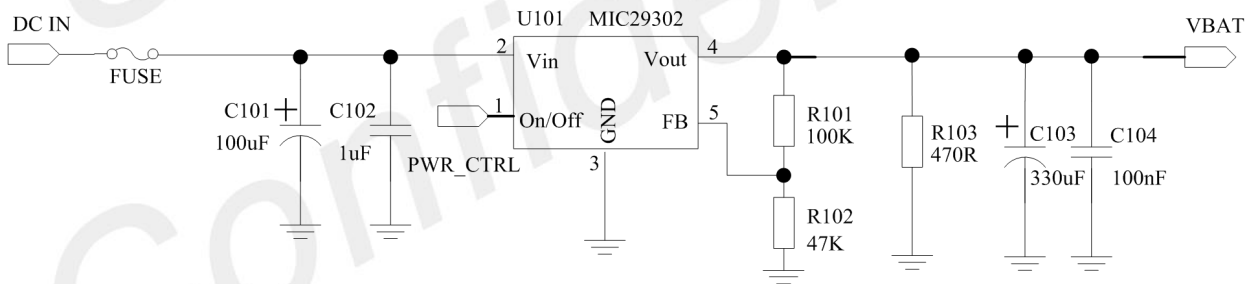


Figure 8: Recommended circuit for linear power supply

The following figure shows the DC-DC regulator reference circuit:

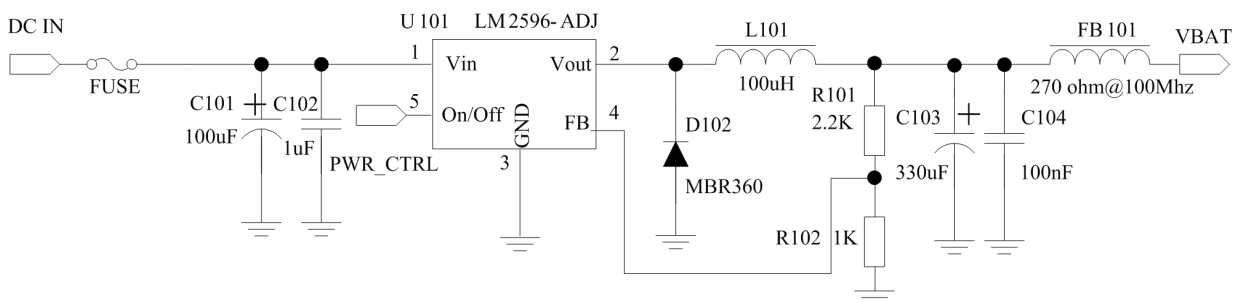


Figure 9: Recommended circuits for switching power supply

3.1.3 Voltage Monitor

AT command 'AT+CBC' can be used to monitor VBAT voltage.

AT command 'AT+CVALARM' can be used to set high/low voltage alarm, When the actual voltage exceeds the preset range, a warning message will be reported through the AT port.

AT command 'AT+CPMVT' can be used to set high/low voltage power off, When the actual voltage exceeds the preset range, the module will shut down automatically.

NOTE

Overvoltage alarm and overvoltage shutdown are off by default. For details of at commands, please refer to document [1].

3.2 Power On/Off and Reset

3.2.1 Module Power on

Customer can power on the module by pulling down the PWRKEY pin. This pin has been pulled up inside the module to Vbat.

It is recommended that when using the module, adding TVS diode at the module pin can effectively enhance the ESD performance.

The recommended circuit is as follows:

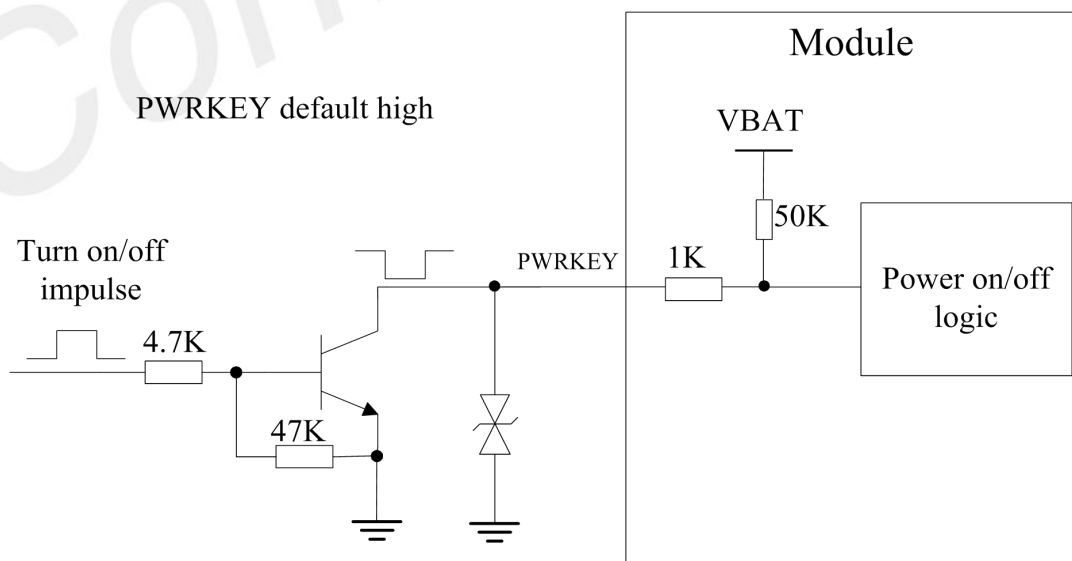


Figure 10: Power on/off reference circuit

NOTE

When PWRKEY pin is connected to the ground through 0 ohm resistor, the module will start automatically.

Do not parallel capacitors which the value is exceed 10 n F on PWRKEY or RESET pin. It will cause module power on automatically when VBAT powered.

It is forbidden to pull down both RESET key and PWRKEY to power on the module at the same time.

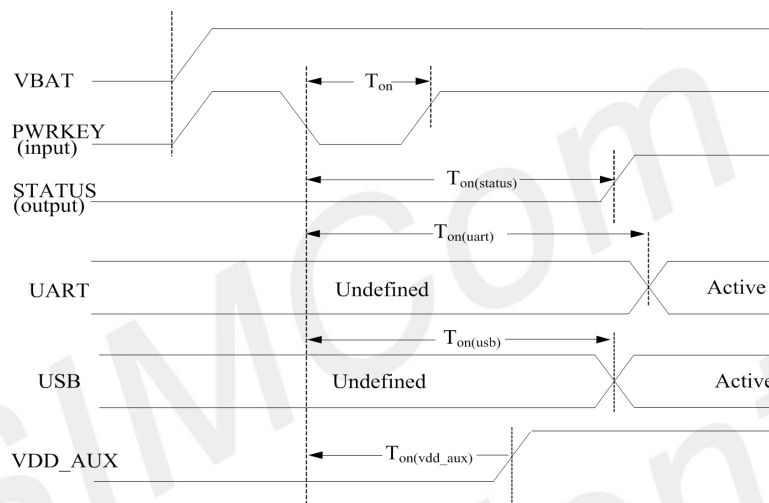


Figure 11: PWRKEY power on sequence

Table 10: Power on sequence parameters

Symbol	Parameter	Min.	Typ.	Max.	Unit
T_{on}	Power on low level pulse width	-	50	-	ms
$T_{on(status)}$	Power on time (according to status pin)	-	10.9	-	s
$T_{on(uart)}$	Power on time (according to UART interface)	-	11	-	s
$T_{on(vdd_aux)}$	Power on time (according to VDD_AUX pin)	-	10	-	s
$T_{on(usb)}$	Power on time (according to USB interface)	-	8.7	-	s
V_{IH}	PWRKEY input high voltage level	2.94V	-	VBAT	
V_{IL}	PWRKEY input low voltage level	0	0	0.5V	

3.2.2 Module Power off

A7600E-LNSE has the following shutdown methods:

- Power off by pulling the PWRKEY# pin down to a low level.
- Power off Module by AT command 'AT+CPOF'.
- Over-voltage or under-voltage automatic power off.
- Over-temperature or under-temperature automatic power off.

It is strongly recommended that the customer use PWRKEY or 'AT+CPOF' to shut down, and then power off Vbat (especially when the module does not need to work). In addition, the customer cannot shut down Vbat by disconnecting it, which may cause damage to flash.

NOTE

when the temperature exceeds the range of $-30 \sim +80 \text{ }^{\circ}\text{C}$, A7600E-LNSE will report warning information through AT port. When the temperature exceeds the range of $-40 \sim +85 \text{ }^{\circ}\text{C}$, A7600E-LNSE will shut down automatically. For a detailed description of 'AT+ CPOF' and 'AT+ CPMVT', please refer to document [1].

PWRKEY can be used to power off the module, power off sequence see the following figure:

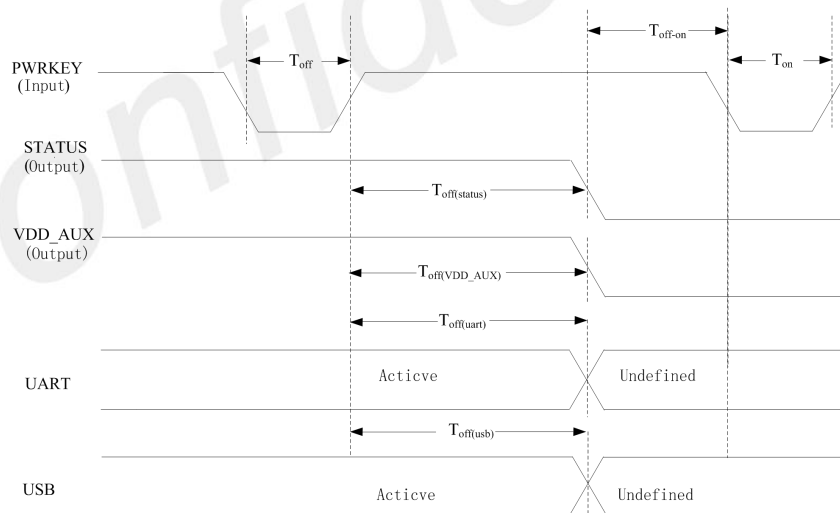


Figure 12: PWRKEY power off sequence

Table 11: Power off sequence parameters

Symbol	Parameter	Min.	Typ.	Max.	Unit
T_{off}	Power off low level pulse width	2.5	-	-	s
$T_{off(status)}$	Power off time(according to status interface)	-	1.9	-	s
$T_{off(uart)}$	Power off time(according to UART interface)	-	1.9	-	s
$T_{off(usb)}$	Power off time(according to USB interface)	-	1.9	-	s
$T_{off(VDD_AUX)}$	Power off time(according to VDD_AUX pin)	-	1.9	-	s
T_{off-on}	Power off - power on buffer time	2	-	-	s

NOTE

The status pin can be used to judge whether the module is powered on or not. When the module is powered on and initialization is completed, the status outputs a high level, otherwise the low level will be maintained all the time. All measurements are started at the release of PWRKEY.

3.2.3 Module Reset

A7600E-LNSE can restart the module by pulling down the reset pin of the module. Reset pin also has the function of power on (active low, but this key has no shutdown function), but it is recommended to use PWRKEY to power on the module and RESET key only used as reset function.

A 50K Ω resistor is used to pull-up to VBAT inside the module, so it is no need to add pull-up resistor outside. The recommended circuit is showed as follows:

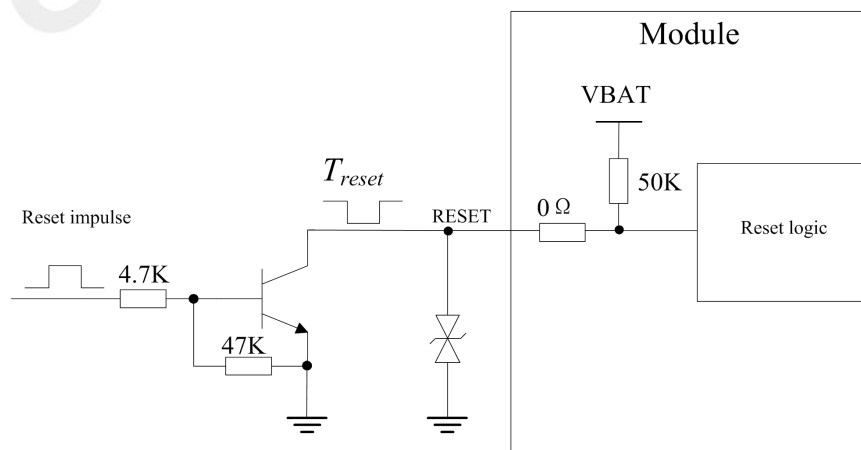


Figure 13: Reference reset circuit

Table 12: RESET electric parameter

Symbol	Parameter	Min.	Typ.	Max.	Unit
T _{reset}	Restart low level pulse width	2	2.5	-	S
V _{IH}	RESET pin input high voltage	2.94	-	V _{BAT}	V
V _{IL}	RESET pin input low voltage	0	0	0.5	V

NOTE

it is recommended to use the reset pin only in case of emergency, such as the module is not responding. The reset time is recommended to be 2.5s.

3.3 UART

A7600E-LNSE provides two serial ports, the main communication serial port is UART, and the CP_UART dedicate to printing log.

3.3.1 UART reference design

When using the full function serial port, you can refer to the following connection mode:

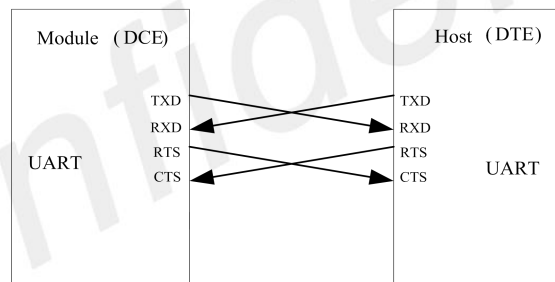


Figure 14: Serial port connection diagram (full function mode)

When using 2-wire serial port, please refer to the following connection mode:

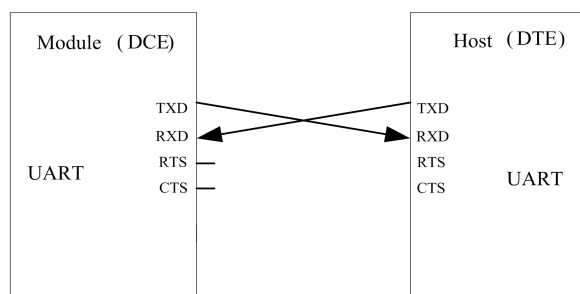


Figure 15: Serial port connection diagram (NULL mode)

The following figure shows the use of triode for level shifter circuits. The circuit with dotted line can refer to the circuit with solid line TXD and RXD, and attention shall be paid to the direction of signal.

The recommended triode model is MMBT3904.

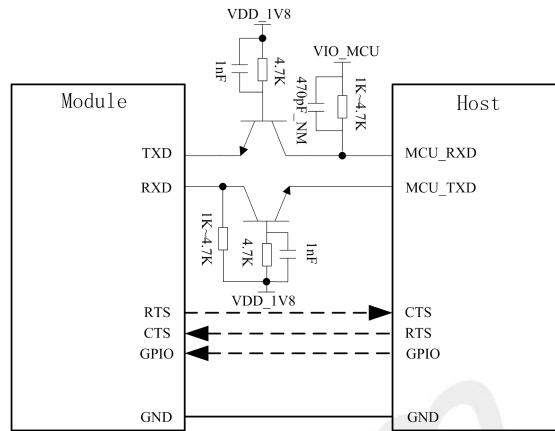


Figure 16: Triode level conversion circuit

NOTE

A7600E-LNSE supports the following baud rates: 9600, 19200, 38400, 57600, 115200, 230400, 460800, 921600, 1842000, 3686400. The default baud rate is 115200bps.

3.3.2 RI and DTR Behavior

The RI pin description:

The RI pin can be used to interrupt output signal to inform the host controller such as application CPU. Normally RI will keep high level until certain conditions such as receiving SMS, or a URC report coming, then it will output a low level pulse 120ms/60ms(message/URC), in the end, it will become high level.

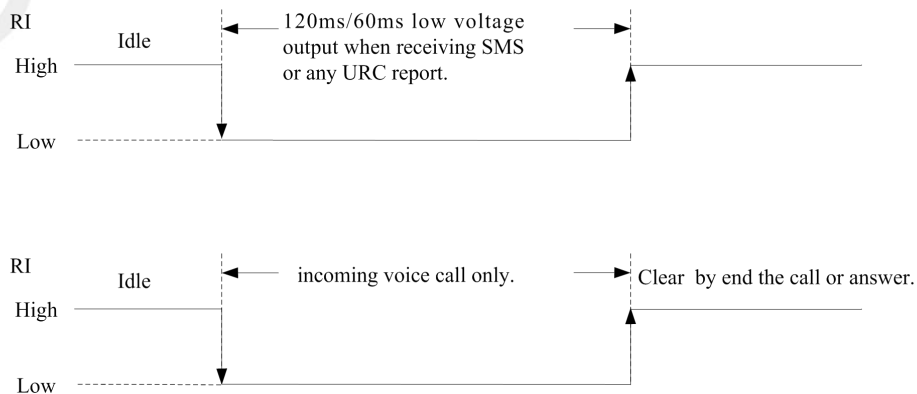


Figure 17: RI behaviour (SMS, URC report and incoming call)

The DTR pin description:

After setting the AT command “AT+CSCLK=1”, and then pulling up the DTR pin, Module will enter sleep mode when module is in idle mode. In sleep mode, the UART is unavailable. When A7600E-LNSE enters sleep mode, pulling down DTR can wake up module.

After setting the AT command “AT+CSCLK=0”, A7600E-LNSE will do nothing when the DTR pin is pulling up.

3.4 USB Interface

The A7600E-LNSE contains a USB interface compliant with the USB2.0 specification as a peripheral, but does not support USB charging function and does not support USB HOST mode.

USB is the main debugging port and software upgrade interface. It is recommended that customers reserve USB test points during design. If a main control chip is connected, 0R resistors must be reserved for switching external test points during design, as shown in the figure below.

3.4.1 USB Reference Design

A7600E-LNSE can be used as a USB slave device. The recommended connection circuit diagram is as follows:

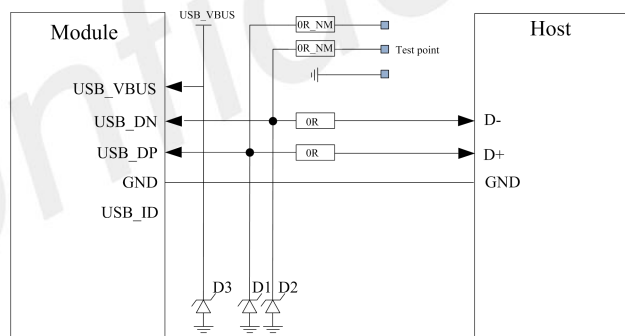


Figure 18: USB circuit diagram

Because of the high bit rate on USB bus, more attention should be paid to the influence of the junction capacitance of the ESD component on USB data lines. On USB_VBUS line, customers should pay attention to the selection of the D3 device when using it. It is recommended to choose an anti-static and anti-surge two-in-one device.

NOTE

1. The USB data cable must be strictly routed in 90Ω +/- 10% differential. The TVS devices D1 and D2 on the data line must be selected with equivalent capacitance less than 1pF. The TVS device should be placed near the USB connector or test point, recommended models ESD73011N and WS05DUCFM.
2. The detection of USB2.0 speed is determined automatically by the USB protocol. The customer does not need to pull up the DP external, otherwise it may affect the device USB enumeration.

3.4.2 USB_BOOT Interface

A7600E-LNSE provides one forced download boot interface 'USB_BOOT'.

Table 13: USB_BOOT description

Pin number	Pin name	I/O	Description	Power domain	Default state	Remark
85	USB_BOOT	DI	Force download boot port	1.8V	B-PD	

If the module upgrade fails to boot, you can force upgrade through the USB_BOOT port.

Before the module is powered on, pull the USB_BOOT pin to 1.8V, then apply VBAT power to the module, and press RESET to enter the download mode. After entering the download mode, you need to release USB_BOOT and remove the pull-up.

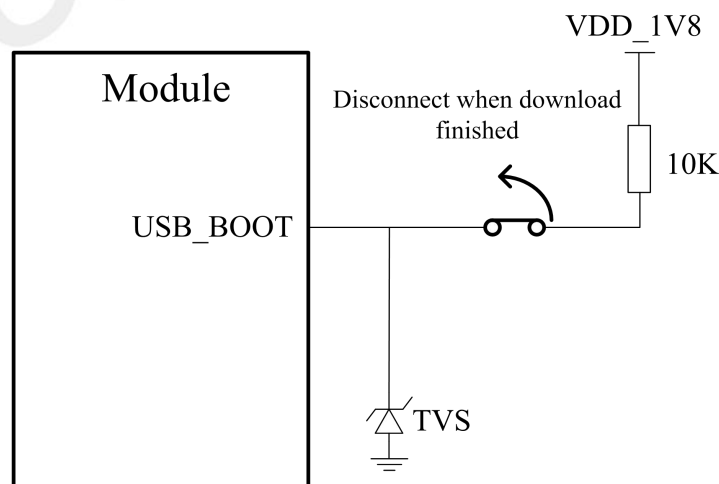


Figure 19: Reference USB_BOOT circuit

Customers will see the download port in the device manager port of the widows system.

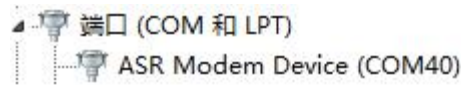


Figure 20: Force-download port

NOTE

USB_BOOT only has the function of forcing download and booting before booting (it cannot be pulled up).

3.5 USIM Interface

A7600E-LNSE supports both 1.8V and 3.0V USIM Cards. The interface power of the USIM card is provided by the voltage regulator inside the module, and the normal voltage value is 3V or 1.8V.

Table 14: USIM electronic characteristic in 1.8V mode (USIM_VDD=1.8V)

Symbol	Parameter	Min.	Typ.	Max.	Unit
USIM_VDD	LDO power output voltage	1.62	1.8	1.98	V
V _{IH}	High-level input voltage	0.7*USIM_VDD	-	USIM_VDD +0.4	V
V _{IL}	Low-level input voltage	-0.4	0	0.25*USIM_VDD	V
V _{OH}	High-level output voltage	USIM_VDD -0.4	-	USIM_VDD	V
V _{OL}	Low-level output voltage	0	0	0.2	V

Table 15: USIM electronic characteristic in 3.0V mode (USIM_VDD=3V)

Symbol	Parameter	Min.	Typ.	Max.	Unit
USIM_VDD	LDO power output voltage	2.7	3	3.3	V
V _{IH}	High-level input voltage	0.7*USIM_VDD	-	USIM_VDD +0.4	V
V _{IL}	Low-level input voltage	-0.4	0	0.25*USIM_VDD	V
V _{OH}	High-level output voltage	USIM_VDD -0.4	-	USIM_VDD	V
V _{OL}	Low-level output voltage	0	0	0.3	V

3.5.1 USIM Application Guide

It is recommended to use an ESD protection component such as ESDA6V1W5 produced by ST (www.st.com) or SMF15C produced by ON SEMI (www.onsemi.com). Note that the USIM peripheral circuit should be close to the USIM card socket. The following figure shows the 6-pin SIM card holder reference circuit.

The following figure shows the 6-pin SIM card holder reference circuit.

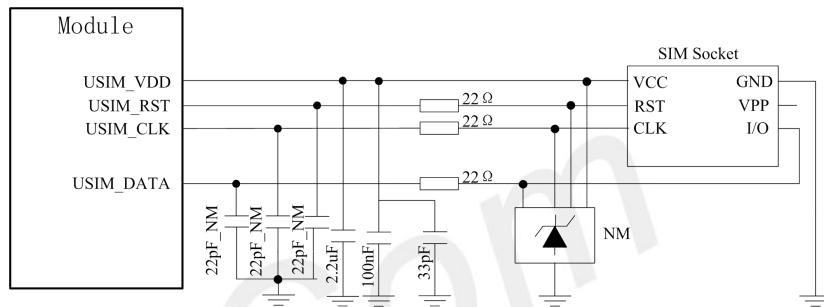


Figure 21: USIM interface reference circuit

The following figure shows the 8-pin SIM card holder reference circuit.

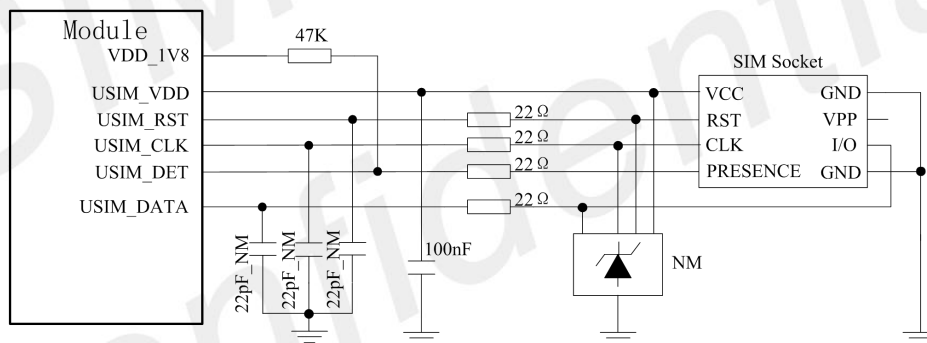


Figure 22: USIM interface reference circuit(8 PIN)

NOTE

USIM_DATA has been pulled up with a 4.7KΩ resistor to USIM_VDD in module. A 100nF capacitor on USIM_VDD is used to reduce interference. For more details of AT commands about USIM, please refer to document [1]. USIM_CLK is very important signal, the rise time and fall time of USIM_CLK should be less than 40ns, otherwise the USIM card might not be initialized correctly.

3.5.2 Recommend USIM Card Holder

It is recommended to use the 6-pin USIM socket such as C707 10M006 512 produced by Amphenol. User can visit <http://www.amphenol.com> for more information about the holder.

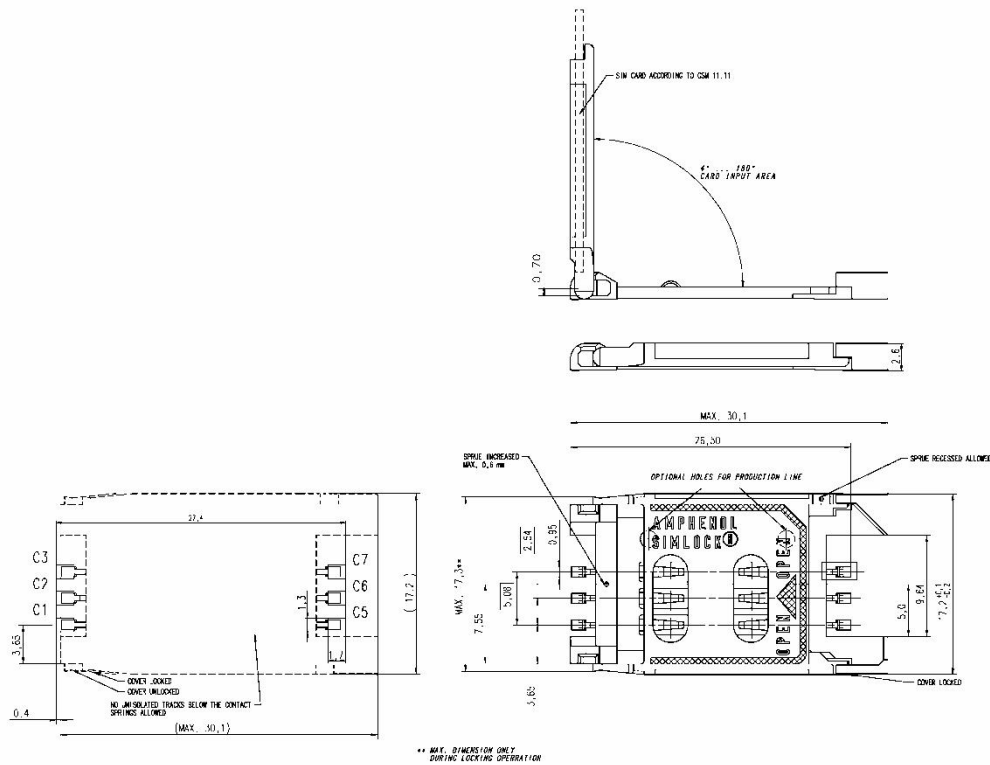


Figure 23: Amphenol C707 10M006 512 USIM card socket

Table 16: Amphenol USIM socket pin description

Pin	Signal	Description
C1	USIM_VDD	USIM Card Power supply.
C2	USIM_RST	USIM Card Reset.
C3	USIM_CLK	USIM Card Clock.
C5	GND	Connect to GND.
C6	VPP	
C7	USIM_DATA	USIM Card data I/O.

3.6 PCM Interface

A7600E-LNSE provides a PCM interface for external codec, which can be used in master mode with short

sync and 16 bits linear format.

Table 17: PCM parameter list

Characteristics	Specification
Line Interface Format	Linear
Data length	16bits
PCM Clock/Sync Source	Master Mode(Fixed)
PCM Sync Format	16KHz
PCM Sync Format	Short sync(Fixed)
Data Ordering	MSB

NOTE

Reference SW document for detail.

3.6.1 PCM Sequence

The related PCM timing is shown in the following figure:

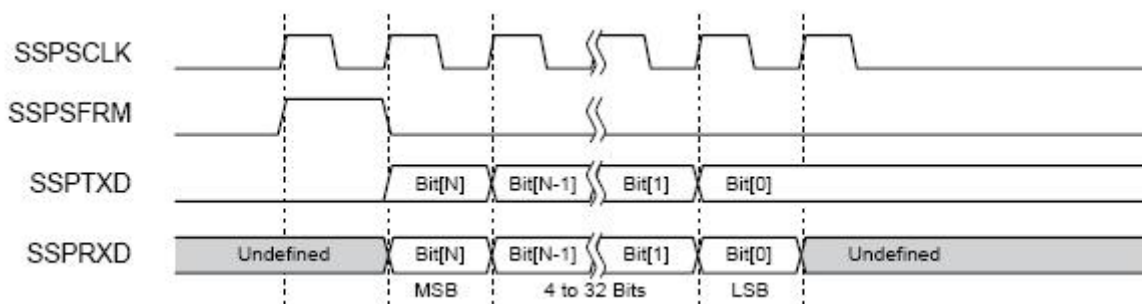


Figure 24: PCM sequence

3.6.2 PCM Reference Design

PCM recommended circuit is shown as follows:

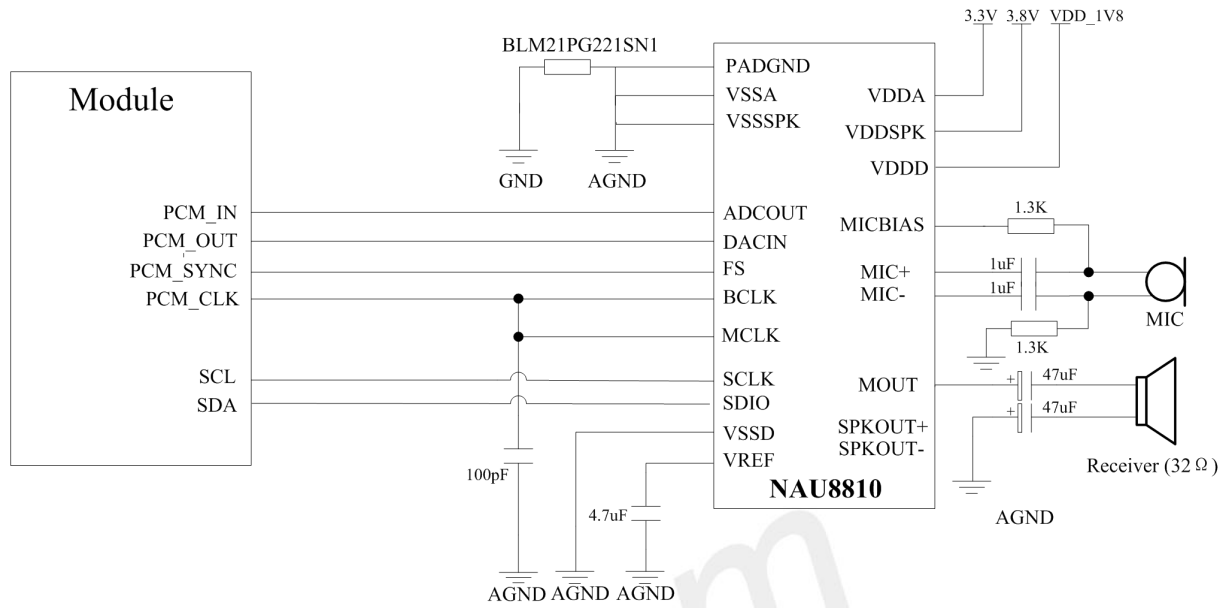


Figure 25: PCM reference circuit

3.7 GPIO Interface

A7600E-LNSE module provides 13 GPIOs.

Table 18: Standard GPIO Resources

Pin No.	Pin name	AT operation number	command GPIO	Pin typ.	Power domain	Default function	Pad Edge wakeup
16	GPIO_16	GPIO16		IO,PU	1.8V	GPIO	Yes
33	GPIO_03	GPIO03		IO,PU	1.8V	GPIO	Yes
34	GPIO_06	GPIO06		IO,PD	1.8V	GPIO	Yes
52	GPIO_41	GPIO41		IO,PU	1.8V	GPIO	No
45	GPIO_63	GPIO63		IO,PD	1.8V	GPIO	Yes
50	GPIO_43	GPIO43		IO,PU	1.8V	GPIO	No
83	GPIO_12	GPIO12		IO,PD	1.8V	GPIO	Yes
86	GPIO_02	GPIO02		IO,PU	1.8V	GPIO	Yes
87	GPIO_77	GPIO77		IO,PU	1.8V	GPIO	Yes
107	GPIO_18	GPIO18		IO,PD	1.8V	GPIO	Yes
112	GPIO_01	GPIO01		IO,PD	1.8V	GPIO	Yes
117	GPIO_22	GPIO22		IO,PD	1.8V	GPIO	Yes
119	GPIO_14	GPIO14		IO,PD	1.8V	GPIO	Yes

3.8 SD Card Interface

A7600E-LNSE provides a 4-bit SD/MMC interface with clock rate up to 200 MHz. It supports up to 64GB SD cards.

Following mode are supported: DS, HS, SDR12, SDR25, SDR50, SDR104, DDR50.

Table 19: SD card electrical parameter (SD_DATA0-SD_DATA3, SD_CLK and SD_CMD)

Symbol	Parameter	Min.	Typ.	Max.	Unit
1.8V power domain					
V _{IH}	High-level input voltage	1.62	1.8	1.98	V
V _{IL}	Low-level input voltage	-0.4	0	0.45	V
V _{OH}	High-level output voltage	1.62	1.8	1.98	V
V _{OL}	Low-level output voltage	0	0	0.45	V
3V power domain					
V _{IH}	High-level input voltage	2.7	3	3.3	V
V _{IL}	Low-level input voltage	-0.4	-	0.5	V
V _{OH}	High-level output voltage	2.7	3	3.3	V
V _{OL}	Low-level output voltage	0	-	0.5	V

3.8.1 Reference Design for External SD Card

ESD/EMI components should be arranged beside SD card socket. Refer to the following application circuit.

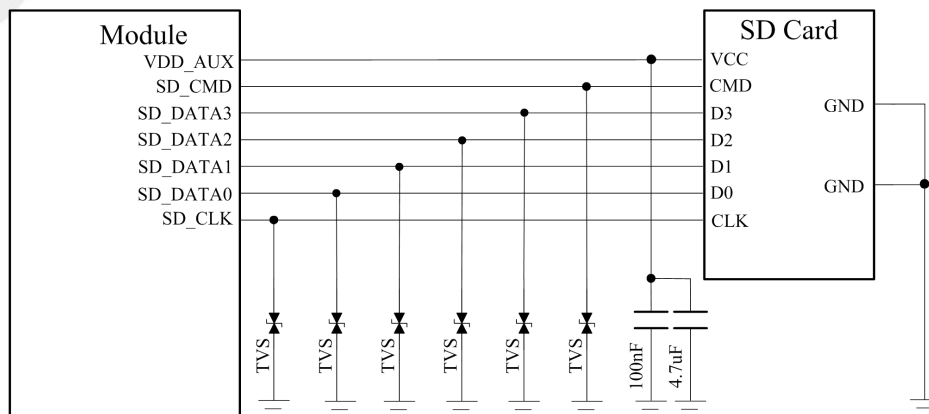


Figure 26: SD reference circuit

SD card layout guide lines:

- Protect other sensitive signals/circuits from SD card signals.
- Protect SD card signals from noisy signals (clocks, SMPS, etc.).
- Up to 200 MHz clock rate, 50 Ω nominal, $\pm 10\%$ trace impedance
- CLK to DATA/CMD length matching < 1 mm
- 15–24 Ω termination resistor on clock lines near module
- Total routing length < 50 mm recommended
- Routing distance from module clock pin to termination resistor < 5 mm
- Spacing to all other signals = 2x line width
- Bus capacitance < 15 pF

3.9 I2C Bus

The module provides two sets of I2C interfaces, support standard speed clock frequency 100Kbps, support high speed clock frequency 400Kbps, its operation voltage is 1.8V.

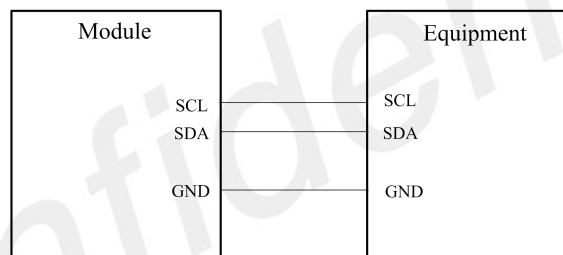


Figure 27: I2C reference circuit

NOTE

SCL and SDA have pull-up resistor inside, external resistor is not needed.

3.10 SPI Interface

A7600E-LNSE provides a SPI interface as a master only. Its operation voltage is 1.8V, and its clock rate is up to 52MHz.

3.11 SDIO Interface

A7600E-LNSE provides one SDIO3.0 protocol interface.

Table 20: SDIO interface description

Pin No.	Pin name	I/O	Power domain	Description	Remark
27	SDIO_DATA1	IO	1.8V	SDIO bus data1	
28	SDIO_DATA2	IO	1.8V	SDIO bus data 2	
29	SDIO_CMD	IO	1.8V	SDIO bus command	
30	SDIO_DATA0	IO	1.8V	SDIO bus data 0	
31	SDIO_DATA3	IO	1.8V	SDIO bus data 3	
32	SDIO_CLK	DO	1.8V	SDIO bus clock	

3.12 Network status

The NETLIGHT pin is used to control network status LED, its reference circuit is shown in the following figure.

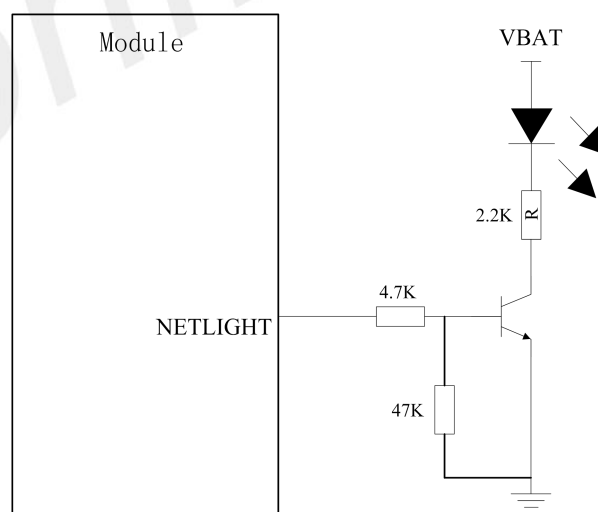


Figure 28: NETLIGHT reference circuit

NOTE

The value of the resistor named 'R' depends on the LED characteristic.

The NETLIGHT signal is used to control the LED lights that indicate the status of the network. The working status of this pin is shown in the table below.

Table 21: 2G mode NETLIGHT pin status

NETLIGHT pin status	Module status
Always On	Searching Network
200ms ON, 200ms OFF	Data Transmit
800ms ON, 800ms OFF	Registered network
OFF	Power off / Sleep

Table 22: LTE mode NETLIGHT pin status

NETLIGHT pin status	Module status
Always On	Searching Network
200ms ON, 200ms OFF	Data Transmit/Registered
OFF	Power off / Sleep

3.13 Flight Mode Control

The FLIGHTMODE pin can be used to control A7600E-LNSE to enter or exit the Flight mode. In Flight mode, the RF circuit is closed to prevent interference with other equipment and minimize current consumption. Bidirectional ESD protection component is suggested to add on FLIGHTMODE pin, its reference circuit is shown in the following figure.

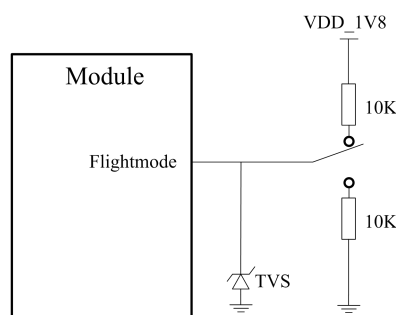


Figure 29: Flight mode switch reference circuit

Customers can use AT + CFUN command to control the module to enter or exit flight mode.

If the customer does not apply the switch circuit control in the figure above, but uses the MCU to control this pin, it is necessary to pay attention to the level matching. Please refer to the UART circuit section to use the transistor for level shifting.

Table 23: FLIGHTMODE pin control

FLIGHTMODE pin status	Module operation
Input Low Level	Flight Mode: RF is closed
Input High Level	AT+CFUN=0: RF is closed AT+CFUN=1: RF is working

3.14 Other interface

3.14.1 ADC

A7600E-LNSE has 2 dedicated ADC pins named ADC1 and ADC2. They are available for digitizing analog signals such as battery voltage and so on. These electronic specifications are shown in the following table.

Table 24: ADC1 and ADC2 electronic characteristics

Characteristics	Min.	Typ.	Max.	Unit
Resolution	–	12	–	bits
Input Range	0.1	–	1.3	V
Input serial resistance	1	–	–	MΩ

NOTE

‘AT+CADC’ and ‘AT+CADC2’ can be used to read the voltage of the ADC1 and ADC2 pins, for more details, please refer to document [1].

3.14.2 LDO

A7600E-LNSE has 2 LDO output, VDD_1V8 and VDD_AUX.

VDD_1V8 is the module's system IO power supply, which can only provide a current capacity of 50mA. It cannot be used as a high current drive source.

VDD_AUX is an output LDO power supply. The output voltage is configurable. The default output voltage is 3 V.

Table 25: VDD_1V8 Electrical characteristics

Symbol	Description	Min.	Typ.	Max.	Unit
V _{VDD_1V8}	Output voltage	-	1.8	-	V
I _o	Output current	-	-	50	mA

NOTE

This power supply is the system power supply. If the damage will affect the system startup, it is recommended that customers add TVS protection. The recommended model is ESD56051N.

Table 26: VDD_AUX Electrical characteristics

Symbol	Description	Min.	Typ.	Max.	Unit
V _{VDD_AUX}	Output voltage	-	3	-	V
I _o	Output current	-	-	350	mA

4 RF Specifications

4.1 GSM/LTE Specifications

Table 27: Conducted transmission power

Frequency	power	Minimum power
EGSM900	33dBm \pm 2dB	5dBm \pm 5dB
DCS1800	30dBm \pm 2dB	0dBm \pm 5dB
EGSM900 (8-PSK)	27dBm \pm 3dB	5dBm \pm 5dB
DCS1800 (8-PSK)	26dBm +3/-4dB	0dBm \pm 5dB
LTE-FDD B1	23dBm +/-2.7dB	<-40dBm
LTE-FDD B3	23dBm +/-2.7dB	<-40dBm
LTE-FDD B5	23dBm +/-2.7dB	<-40dBm
LTE-FDD B7	23dBm +/-2.7dB	<-40dBm
LTE-FDD B8	23dBm +/-2.7dB	<-40dBm
LTE-FDD B20	23dBm +/-2.7dB	<-40dBm
LTE-TDD B38	23dBm +/-2.7dB	<-40dBm
LTE-TDD B40	23dBm +/-2.7dB	<-40dBm

Table 28: Band information 2G

Frequency	DL	UL
EGSM900	925~960MHz	880~915 MHz
DCS1800	1805~1880 MHz	1710~1785 MHz

Table 29: Band information E-UTRA

E-UTRA BAND	UL	DL	Duplex Mode
1	1920 ~1980 MHz	2110 ~2170 MHz	FDD
3	1710 ~1785 MHz	1805 ~1880 MHz	FDD
5	869~894 MHz	824~849 MHz	FDD
7	2500 ~2570 MHz	2620 ~2690 MHz	FDD
8	880 ~915 MHz	925 ~960 MHz	FDD
20	832 ~862 MHz	791 ~821 MHz	FDD
38	2570 ~2620 MHz	2570 ~2620 MHz	TDD
40	2300 ~2400 MHz	2300 ~2400 MHz	TDD

Table 30: Reception sensitivity conduction

Frequency	Sensitivity (TYP)	Sensitivity (MAX)
EGSM900	< -109dBm	3GPP
DCS1800	< -108dBm	3GPP
LTE FDD/TDD	refer to table 31	3GPP

Table 31: Reference sensitivity (QPSK)

E-UTRA BAND	3GPP standard						Measured value 10 MHz	Duplex mode
	1.4 MHz	3MHz	5MHz	10MHz	15 MHz	20 MHz		
1	-	-	-100	-97	-95.2	-94	-97	FDD
3	-101.7	-98.7	-97	-94	-92.2	-91	-97	FDD
5	-103.2	-100.2	-98	-95	-	-	-97	FDD
7	-	-	-98	-95	-97	-93.2	-97	FDD
8	-102.2	-99.2	-97	-94	-	-	-98	FDD
20	-	-	-97	-94	-91.2	-90	-97	FDD
38	-	-	-100	-97	-95.2	-94	-98	TDD
40	-	-	-100	-97	-95.2	-94	-98	TDD

NOTE

The measured value is the main antenna at 10MHz.

4.2 Antenna Requirements

Recommended antenna characteristics are described in the following table.

Table 32: Recommended Antenna Characteristics

Passive	Recommended standard
operating band	refer to band information table
Direction	omnidirectional
Gain	> -3dBi (Avg.)
Input impedance	50 ohm
Efficiency	> 50 %

Maximum input power	50W
VSWR	< 2
Isolation	>20dB
Antenna route insertion loss (<1GHz)	<0.5dB
Antenna route insertion loss (1710MHz-2170MHz)	<0.9dB
Antenna route insertion loss (2300MHz-2650MHz)	<1.2dB

4.3 Antenna Reference Design

For antenna design, layout between the module and the antenna must be 50 Ω impedance .It is recommended to add RF connector for calibration and test, and add RF matching circuit for antenna tuning. The recommended circuit is as follows:

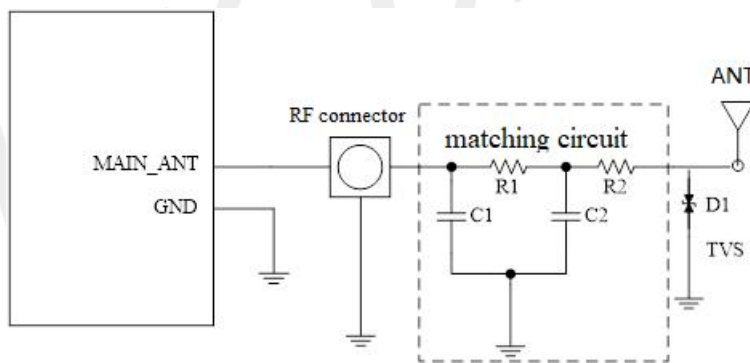


Figure 30: MAIN antenna connection circuit

The specific values of R1, C1, C2 and R2 in the matching circuit usually provided by the antenna factory and determined by the antenna optimization. R1 and R2 are pasted 0 Ω by default, C1 and C2 are not pasted by default. D1 is a bidirectional TVS device. The capacitance value is required to be less than 0.2pf to avoid damage to the internal devices of the module. The recommended TVs models are as follows:

Table 33: TVS recommended part list

Package	Part	Vendor
0201	CE0201S05G01R	硕凯
0402	PESD0402-03	PRISEMI

5 Electrical Specifications

5.1 Absolute Maximum Ratings

Absolute maximum rating for digital and analog pins of A7600E-LNSE are listed in the following table.

Table 34: Absolute maximum ratings

Parameter	Min.	Typ.	Max.	Unit
Voltage at VBAT	-0.5	-	4.7	V
Voltage at VBUS	-0.5	-	5.4	V
Voltage at digital pins (SDIO,GPIO,I2C,SPI,UART and PCM)	-0.3	-	2.1	V
Voltage at digital pins (USIM,SDC)	-0.3	-	2.1	V
	-0.3	-	3.9	V
Voltage at PWRKEY、RESET	-0.3	-	4.7	V

5.2 Operating conditions

Table 35: Recommended operating ratings

Parameter	Min.	Typ.	Max.	Unit
Voltage at VBAT	3.4	3.8	4.2	V
Voltage at VBUS	3.0	5.0	5.4	V

Table 36: 1.8V Digital I/O characteristics*

Parameter	Description	Min.	Typ.	Max.	Unit
V _{IH}	High-level input voltage	1.35	1.8	2.1	V
V _{IL}	Low-level input voltage	-0.3	-	0.45	V
V _{OH}	High-level output voltage	1.35	-	1.8	V
V _{OL}	Low-level output voltage	0	-	0.4	V
I _{OH}	High-level output current(no pull down resistor)	2	-	4	mA
I _{OL}	Low-level output current(no pull	-2	-	-4	mA

	up resistor)				
I_{IH}	Input high leakage current (no pull down resistor)	-	-	10	uA
I_{IL}	Input low leakage current(no pull up resistor)	-10	-	-	uA

NOTE

These parameters are for digital interface pins, such as GPIO, UART, PCM, SPI, SDIO and USB_BOOT.

Table 37: Operating temperature

Parameter	Min.	Typ.	Max.	Unit
Normal operation temperature	-30	+25	+80	°C
Extended operation temperature*	-40	+25	+85	°C
Storage temperature	-45	+25	+90	°C

NOTE

The performance will be reduced slightly from the 3GPP specifications if the temperature is outside the normal operating temperature range and still within the extreme operating temperature range.

5.3 Operating Mode

5.3.1 Operating Mode Definition

The table below summarizes the various operating modes of A7600E-LNSE product.

Table 38: Operating mode Definition

Mode	Function
Normal operation	GSM/ LTE Sleep In this case, the current consumption of module will be reduced to the minimal level and the module can still receive paging message and SMS.
	GSM /LTE Idle Software is active. Module is registered to the network, and the module is ready to communicate.
	GSM / LTE Talk Connection between two subscribers is in progress. In this

		case, the power consumption depends on network settings such as DTX off/on, FR/EFR/HR, hopping sequences, and antenna.
	GSM /LTE Standby	Module is ready for data transmission, but no data is currently sent or received. In this case, power consumption depends on network settings.
	GPRS/EDGE/ LTE Data transmission	There is data transmission in progress. In this case, power consumption is related to network settings (e.g. power control level); uplink/downlink data rates, etc.
Minimum functionality mode		AT command 'AT+CFUN=0' AT+CSCLK=1 can be used to set the module to a minimum functionality mode without removing the power supply. In this mode, the RF part of the module will not work and the USIM card will not be accessible, but the serial port and USB port are still accessible. The power consumption in this mode is lower than normal mode.
Flight mode		AT command 'AT+CFUN=4' or pulling down the FLIGHTMODE pin can be used to set the module to flight mode without removing the power supply. In this mode, the RF part of the module will not work, but the serial port and USB port are still accessible. The power consumption in this mode is lower than normal mode.
Power off		Module will go into power off mode by sending the AT command 'AT+CPOF' or pull down the PWRKEY pin, normally. In this mode the power management unit shuts down the power supply, and software is not active. The serial port and USB are is not accessible.

5.3.2 Sleep mode

In sleep mode, the current consumption of module will be reduced to the minimal level, and module can still receive paging message and SMS.

Several hardware and software conditions must be satisfied together in order to let A7600E-LNSE enter into sleep mode:

- UART condition
- USB condition
- Software condition

5.3.3 Minimum functionality mode and Flight mode

Minimum functionality mode ceases a majority function of module, thus minimizing the power consumption. This mode is set by the AT command which provides a choice of the functionality levels.

- AT+CFUN=0: Minimum functionality
- AT+CFUN=1: Full functionality (Default)
- AT+CFUN=4: Flight mode

If A7600E-LNSE has been set to minimum functionality mode, the RF function and USIM card function will be closed. In this case, the serial port and USB are still accessible, but RF function and USIM card will be unavailable.

If A7600E-LNSE has been set to flight mode, the RF function will be closed. In this case, the serial port and USB are still accessible, but RF function will be unavailable.

When A7600E-LNSE is in minimum functionality or flight mode, it can return to full functionality by the AT command 'AT+CFUN=1'.

5.4 Current Consumption

The current consumption is listed in the table below.

Table 39: Current consumption on VBAT Pins (VBAT=3.8V)

GSM sleep/idle mode		
GSM/GPRS supply current (without USB connection)	Sleep mode@ BS_PA_MFRMS=2	Typical: 3mA
	Idle mode@ BS_PA_MFRMS=2	Typical:23mA
LTE sleep/idle mode		
LTE supply current (without USB connection)	Sleep mode	Typical: 3.5mA
	Idle mode	Typical: 23mA
GSM Talk		
SEGSMS 900	@power level #5	Typical:: 320 mA
DCS1800	@power level #0	Typical: 262 mA
GPRS data		
EGSM 900 (1 Rx,4 Tx)	@power level #5	Typical:630 mA
DCS1800 (1 Rx,4 Tx)	@power level #0	Typical:395 mA
EGSM 900 (3 Rx, 2 Tx)	@power level #5	Typical:370 mA
DCS1800 (3 Rx, 2 Tx)	@power level #0	Typical: 275 mA
EDGE data		
EGSM 900 (1 Rx,4 Tx)	@power level #8	Typical:460 mA
DCS1800 (1 Rx,4 Tx)	@power level #2	Typical: 300 mA
EGSM 900 (3 Rx, 2 Tx)	@power level #8	Typical: 336 mA
DCS1800 (3 Rx, 2 Tx)	@power level #2	Typical: 208 mA
LTE data		

LTE-FDD B1	@5M	23dBm	Typical: 602mA
	@10M	23dBm	Typical: 587mA
LTE-FDD B3	@5M	23dBm	Typical: 604mA
	@10M	23dBm	Typical: 581mA
LTE-FDD B5	@5M	23dBm	Typical: 497mA
	@10M	23dBm	Typical: 512mA
LTE-FDD B7	@5M	23dBm	Typical: 547mA
	@10M	23dBm	Typical: 532mA
LTE-FDD B8	@5M	23dBm	Typical: 552mA
	@10M	23dBm	Typical: 535mA
LTE-FDD B20	@5M	23dBm	Typical: 485mA
	@10M	23dBm	Typical: 488mA
LTE-TDD B38	@5M	23dBm	Typical: 396 mA
	@10M	23dBm	Typical: 405 mA
LTE-TDD B40	@5M	23dBm	Typical: 368 mA
	@10M	23dBm	Typical: 372 mA

5.5 ESD Notes

A7600E-LNSE is sensitive to ESD in the process of storage, transporting, and assembling. When A7600E-LNSE is mounted on the users' mother board, the ESD components should be placed beside the connectors which human body may not touch, such as USIM card holder, audio jacks, switches, keys, etc. The following table shows the A7600E-LNSE ESD measurement performance without any external ESD component.

Table 40: The ESD performance measurement table (Temperature: 25°C, Humidity: 45%)

Part	Contact discharge	Air discharge
VBAT,GND	+/-5K	+/-10K
Antenna port	+/-5K	+/-10K
USB	+/-4K	+/-8K
UART	+/-4K	+/-6K
Other PADS	+/-1K	+/-2K

NOTE

Test condition is module pasted on SIMCom Development board (With ESD components).

6 SMT Production Guide

6.1 Top and Bottom View of A7600E-LNSE

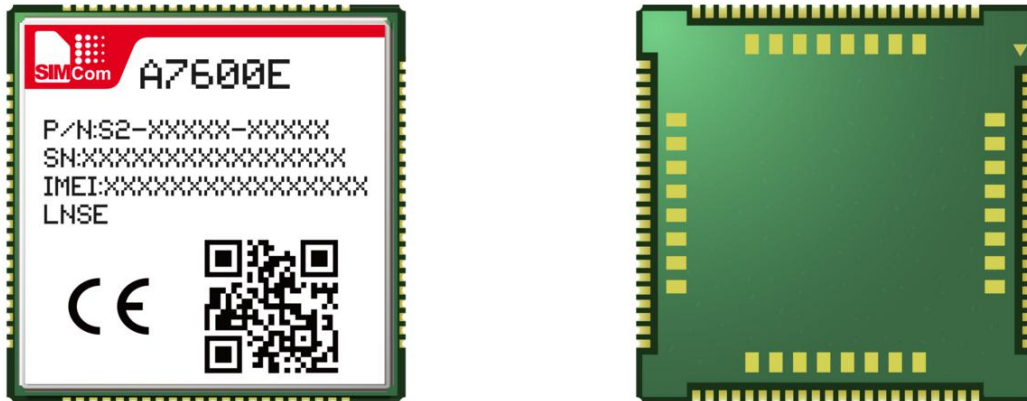


Figure 31: Top and bottom view of A7600E-LNSE

NOTE

The above is the design effect diagram of the module for reference. The actual appearance is subject to the actual product.

6.2 Label Information

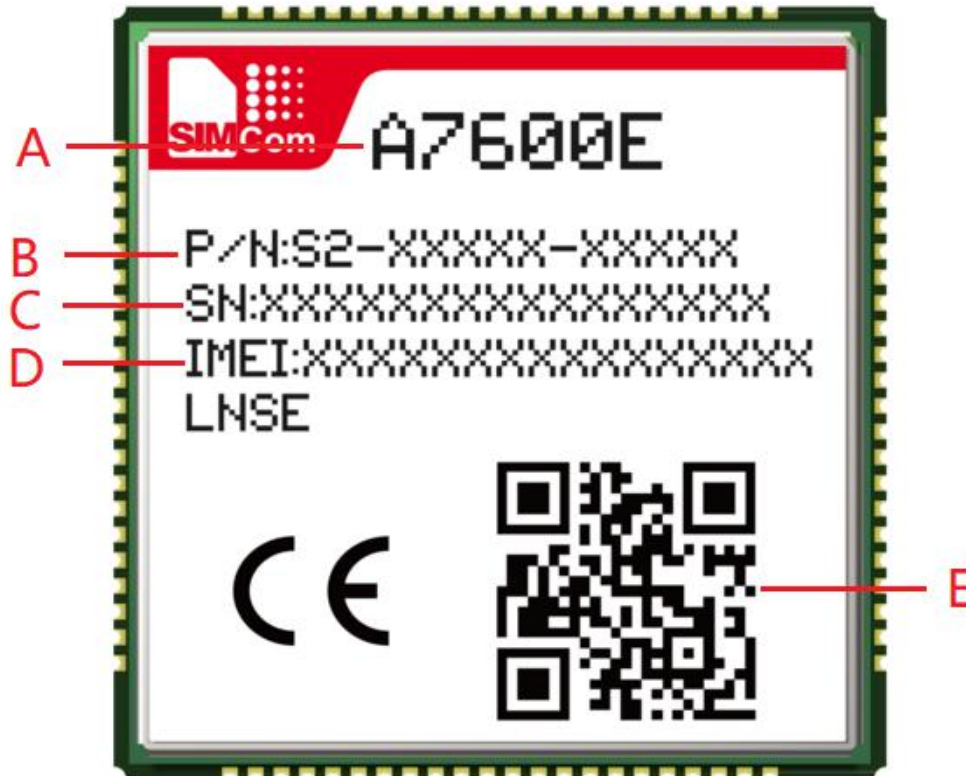


Figure 32: Label information

Table 41: The description of label information

No.	Description
A	Project name
B	P/N code
C	Product SN code
D	Serial IMEI number
E	International mobile equipment identity

6.3 Typical SMT Reflow Profile

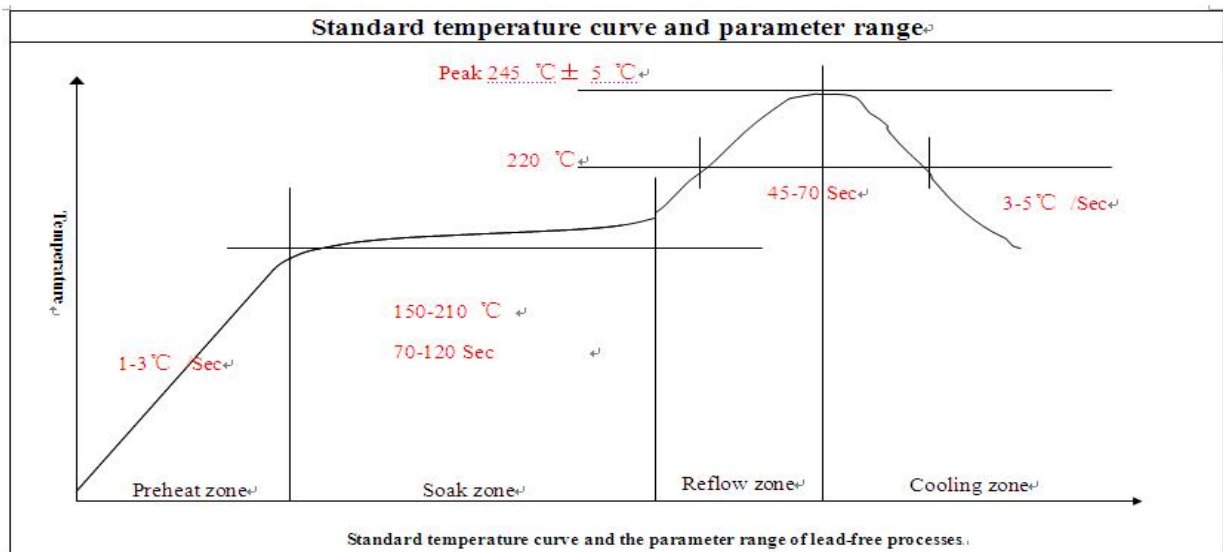


Figure 33: The ramp-soak-spike reflow profile of A7600E-LNSE

6.4 Moisture Sensitivity Level (MSL)

A7600E-LNSE is qualified to Moisture Sensitivity Level (MSL) 3 in accordance with JEDEC J-STD-033. If the prescribed time limit is exceeded, users should bake modules for 192 hours in drying equipment (<5% RH) at 40+5/-0°C, or 72 hours at 85+5/-5°C. Note that plastic tray is not heat-resistant, and only can be baked at 45° C.

Table 42: Moisture Sensitivity Level and Floor Life

Moisture Sensitivity Level (MSL)	Floor Life (out of bag) at factory ambient ≤30°C/60% RH or as stated
1	Unlimited at ≅ 30°C/85% RH
2	1 year
2a	4 weeks
3	168 hours
4	72 hours
5	48 hours
5a	24 hours
6	Mandatory bake before use. After bake, it must be reflowed within the time limit specified on the label.

NOTE

IPC / JEDEC J-STD-033 standard must be followed for production and storage.

SIMCom
Confidential

7 Packaging

A7600E-LNSE support tray packaging.

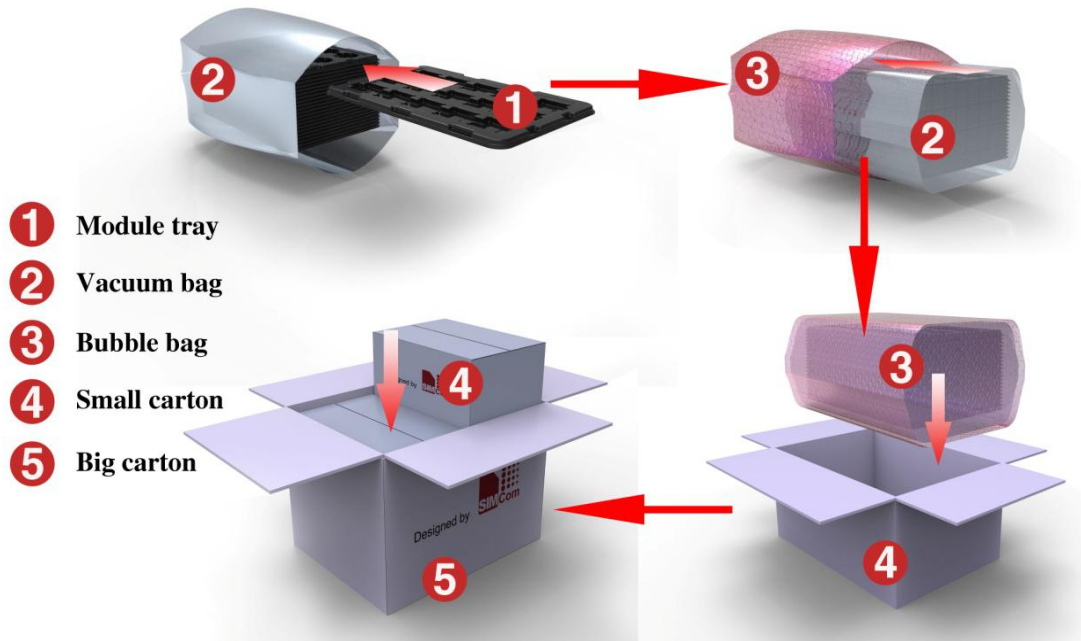


Figure 34: packaging diagram

Module tray drawing:

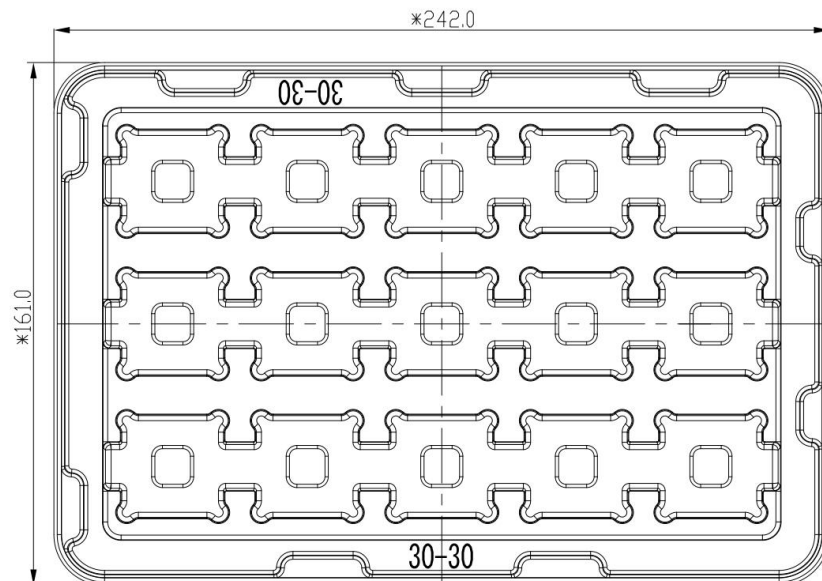


Figure 35: Tray drawing

Table 43: Tray size

Length (±3mm)	Width (±3mm)	number
242.0	161.0	15

Small carton drawing:

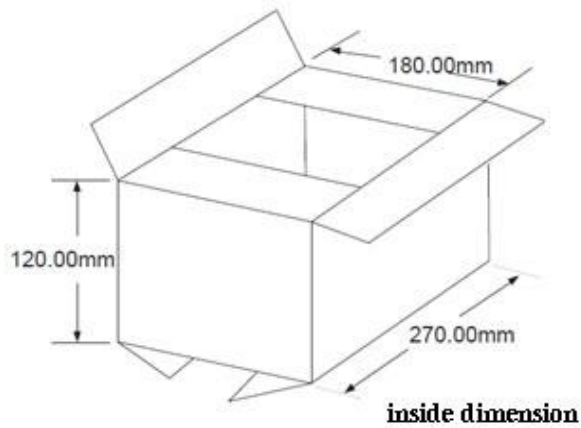


Figure 36: Small carton drawing

Table 44: Small Carton size

Length (±10mm)	Width (±10mm)	Height (±10mm)	number
270	180	120	15*20=300

Big carton drawing:

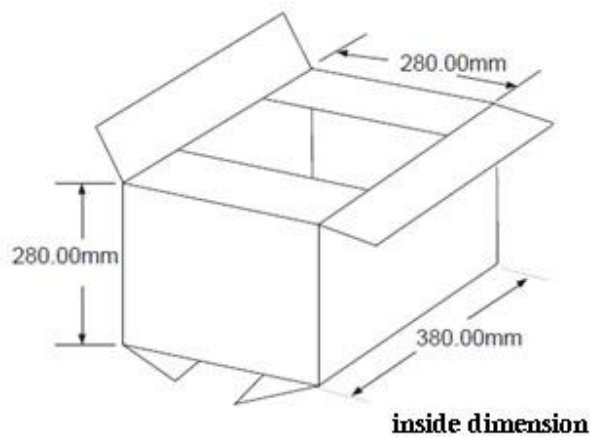


Figure 37: Big carton drawing

Table 45: Big Carton size

Length (±10mm)	Width (±10mm)	Height (±10mm)	number
380	280	280	300*4=1200

SIMCom
Confidential

8 Appendix

8.1 Coding Schemes and Maximum Net Data Rates over Air Interface

Table 46: Coding Schemes and Maximum Net Data Rates over Air Interface

Multi slot definition(GPRS/EDGE)			
Slot class	DL slot number	UL slot number	Active slot number
1	1	1	2
2	2	1	3
3	2	2	3
4	3	1	4
5	2	2	4
6	3	2	4
7	3	3	4
8	4	1	5
9	3	2	5
10	4	2	5
11	4	3	5
12	4	4	5
GPRS coding scheme	Max data rata (4 slots)		Modulation type
CS 1 = 9.05 kb/s / time slot	36.2 kb/s		GMSK
CS 2 = 13.4 kb/s / time slot	53.6 kb/s		GMSK
CS 3 = 15.6 kb/s / time slot	62.4 kb/s		GMSK
CS 4 = 21.4 kb/s / time slot	85.6 kb/s		GMSK
EDGE coding scheme	Max data rata (4 slots)		Modulation type
MCS 1 = 8.8 kb/s/ time slot	35.2 kb/s		GMSK
MCS 2 = 11.2 kb/s/ time slot	44.8 kb/s		GMSK
MCS 3 = 14.8 kb/s/ time slot	59.2 kb/s		GMSK
MCS 4 = 17.6 kb/s/ time slot	70.4 kb/s		GMSK
MCS 5 = 22.4 kb/s/ time slot	89.6 kb/s		8PSK
MCS 6 = 29.6 kb/s/ time slot	118.4 kb/s		8PSK
MCS 7 = 44.8 kb/s/ time slot	179.2 kb/s		8PSK
MCS 8 = 54.4 kb/s/ time slot	217.6 kb/s		8PSK
MCS 9 = 59.2 kb/s/ time slot	236.8 kb/s		8PSK

HSDPA device category	Max data rate(peak)	Modulation type
Category 1	1.2Mbps	16QAM,QPSK
Category 2	1.2Mbps	16QAM,QPSK
Category 3	1.8Mbps	16QAM,QPSK
Category 4	1.8Mbps	16QAM,QPSK
Category 5	3.6Mbps	16QAM,QPSK
Category 6	3.6Mbps	16QAM,QPSK
Category 7	7.2Mbps	16QAM,QPSK
Category 8	7.2Mbps	16QAM,QPSK
Category 9	10.2Mbps	16QAM,QPSK
Category 10	14.4Mbps	16QAM,QPSK
Category 11	0.9Mbps	QPSK
Category 12	1.8Mbps	QPSK
Category 13	17.6Mbps	64QAM
Category 14	21.1Mbps	64QAM
Category 15	23.4Mbps	16QAM
Category 16	28Mbps	16QAM
Category 17	23.4Mbps	64QAM
Category 18	28Mbps	64QAM
Category 19	35.5Mbps	64QAM
Category 20	42Mbps	64QAM
Category 21	23.4Mbps	16QAM
Category 22	28Mbps	16QAM
Category 23	35.5Mbps	64QAM
Category 24	42.2Mbps	64QAM
HSUPA device category	Max data rate(peak)	Modulation type
Category 1	0.96Mbps	QPSK
Category 2	1.92Mbps	QPSK
Category 3	1.92Mbps	QPSK
Category 4	3.84Mbps	QPSK
Category 5	3.84Mbps	QPSK
Category 6	5.76Mbps	QPSK
LTE-FDD device category (Downlink)	Max data rate (peak)	Modulation type
Category 1	10Mbps	QPSK/16QAM/64QAM
Category 2	50Mbps	QPSK/16QAM/64QAM
Category 3	100Mbps	QPSK/16QAM/64QAM
Category 4	150Mbps	QPSK/16QAM/64QAM
LTE-FDD device category (Uplink)	Max data rate (peak)	Modulation type
Category 1	5Mbps	QPSK/16QAM

Category 2	25Mbps	QPSK/16QAM
Category 3	50Mbps	QPSK/16QAM
Category 4	50Mbps	QPSK/16QAM

8.2 Related Documents

Table 47: Related Documents

NO.	Title	Description
[1]	A7600 Series AT Command Manual_V1.00.04	AT Command Manual
[2]	ITU-T Draft new recommendation V.25ter	Serial asynchronous automatic dialing and control
[3]	GSM 07.07	Digital cellular telecommunications (Phase 2+); AT command set for GSM Mobile Equipment (ME)
[4]	GSM 07.10	Support GSM 07.10 multiplexing protocol
[5]	GSM 07.05	Digital cellular telecommunications (Phase 2+); Use of Data Terminal Equipment – Data Circuit terminating Equipment (DTE – DCE) interface for Short Message Service (SMS) and Cell Broadcast Service (CBS)
[6]	GSM 11.14	Digital cellular telecommunications system (Phase 2+); Specification of the SIM Application Toolkit for the Subscriber Identity Module – Mobile Equipment (SIM – ME) interface
[7]	GSM 11.11	Digital cellular telecommunications system (Phase 2+); Specification of the Subscriber Identity Module – Mobile Equipment (SIM – ME) interface
[8]	GSM 03.38	Digital cellular telecommunications system (Phase 2+); Alphabets and language-specific information
[9]	GSM 11.10	Digital cellular telecommunications system (Phase 2) ; Mobile Station (MS) conformance specification ; Part 1: Conformance specification
[10]	3GPP TS 51.010-1	Digital cellular telecommunications system (Release 5); Mobile Station (MS) conformance specification
[11]	3GPP TS 34.124	Electromagnetic Compatibility (EMC) for mobile terminals and ancillary equipment.
[12]	3GPP TS 34.121	Electromagnetic Compatibility (EMC) for mobile terminals and ancillary equipment.
[13]	3GPP TS 34.123-1	Technical Specification Group Radio Access Network; Terminal conformance specification; Radio transmission and reception (FDD)
[14]	3GPP TS 34.123-3	User Equipment (UE) conformance specification; Part 3: Abstract Test Suites.
[15]	EN 301 908-02 V2.2.1	Electromagnetic compatibility and Radio spectrum Matters (ERM); Base Stations (BS) and User Equipment (UE) for IMT-2000. Third Generation cellular networks; Part 2: Harmonized EN for IMT-2000, CDMA Direct Spread (UTRA FDD) (UE) covering essential requirements of article 3.2 of the R&TTE Directive
[16]	EN 301 489-24 V1.2.1	Electromagnetic compatibility and Radio Spectrum Matters (ERM); Electromagnetic Compatibility (EMC) standard for

		radio equipment and services; Part 24: Specific conditions for IMT-2000 CDMA Direct Spread (UTRA) for Mobile and portable (UE) radio and ancillary equipment
[17]	IEC/EN60950-1(2001)	Safety of information technology equipment (2000)
[18]	3GPP TS 51.010-1	Digital cellular telecommunications system (Release 5); Mobile Station (MS) conformance specification
[19]	GCF-CC V3.23.1	Global Certification Forum - Certification Criteria
[20]	2002/95/EC	Directive of the European Parliament and of the Council of 27 January 2003 on the restriction of the use of certain hazardous substances in electrical and electronic equipment (RoHS)
[21]	A7600 Series_UIM HOT SWAP_Application Note_V1.00	This document introduces UIM card detection and UIM hot swap.

8.3 Terms and Abbreviations

Table 48: Terms and Abbreviations

Abbreviation	Description
ADC	Analog-to-Digital Converter
AMR	Adaptive Multi-Rate
CS	Coding Scheme
CSD	Circuit Switched Data
CTS	Clear to Send
DTE	Data Terminal Equipment (typically computer, terminal, printer)
DTR	Data Terminal Ready
DTX	Discontinuous Transmission
EFR	Enhanced Full Rate
EGSM	Enhanced GSM
ESD	Electrostatic Discharge
ETS	European Telecommunication Standard
FR	Full Rate
GPRS	General Packet Radio Service
GSM	Global Standard for Mobile Communications
HR	Half Rate
IMEI	International Mobile Equipment Identity
Li-ion	Lithium-Ion
MO	Mobile Originated
MS	Mobile Station (GSM engine), also referred to as TE
MT	Mobile Terminated
PAP	Password Authentication Protocol



PBCCH	Packet Broadcast Control Channel
PCB	Printed Circuit Board
PCL	Power Control Level
PCS	Personal Communication System, also referred to as GSM 1900
PDU	Protocol Data Unit
PPP	Point-to-point protocol
RF	Radio Frequency
RMS	Root Mean Square (value)
RTC	Real Time Clock
RX	Receive Direction
SIM	Subscriber Identification Module
SMS	Short Message Service
TE	Terminal Equipment, also referred to as DTE
TX	Transmit Direction
UART	Universal Asynchronous Receiver & Transmitter
URC	Unsolicited Result Code
USSD	Unstructured Supplementary Service Data

PB abbreviation

FD	SIM fix dialing phonebook
LD	SIM last dialing phonebook (list of numbers most recently dialed)
MC	Mobile Equipment list of unanswered MT calls (missed calls)
ON	SIM (or ME) own numbers (MSISDNs) list
RC	Mobile Equipment list of received calls
SM	SIM phonebook
NC	Not connect

8.4 Safety Caution

Table 49: Safety Caution

Marks	Requirements
	When in a hospital or other health care facility, observe the restrictions about the use of mobiles. Switch the cellular terminal or mobile off, medical equipment may be sensitive and not operate normally due to RF energy interference.
	Switch off the cellular terminal or mobile before boarding an aircraft. Make sure it is switched off. The operation of wireless appliances in an aircraft is forbidden to prevent interference with communication systems. Forgetting to think much of these instructions may impact the flight safety, or offend local legal action, or both.



Do not operate the cellular terminal or mobile in the presence of flammable gases or fumes. Switch off the cellular terminal when you are near petrol stations, fuel depots, chemical plants or where blasting operations are in progress. Operation of any electrical equipment in potentially explosive atmospheres can constitute a safety hazard.



Your cellular terminal or mobile receives and transmits radio frequency energy while switched on. RF interference can occur if it is used close to TV sets, radios, computers or other electric equipment.



Road safety comes first! Do not use a hand-held cellular terminal or mobile when driving a vehicle, unless it is securely mounted in a holder for hands free operation. Before making a call with a hand-held terminal or mobile, park the vehicle.



GSM cellular terminals or mobiles operate over radio frequency signals and cellular networks and cannot be guaranteed to connect in all conditions, especially with a mobile fee or an invalid SIM card. While you are in this condition and need emergent help, please remember to use emergency calls. In order to make or receive calls, the cellular terminal or mobile must be switched on and in a service area with adequate cellular signal strength.

Some networks do not allow for emergency call if certain network services or phone features are in use (e.g. lock functions, fixed dialing etc.). You may have to deactivate those features before you can make an emergency call.

Also, some networks require that a valid SIM card be properly inserted in the cellular terminal or mobile.