

MATERIALS AND FINISHES

SMA CONNECTOR

BODY, CONTACT, CRIMP TUBE,  
JAM NUT: BRASS  
PLATED GOLD

INSULATOR: TEFLON

LOCK WASHER: PHOSPHOR BRONZE  
PLATED GOLD

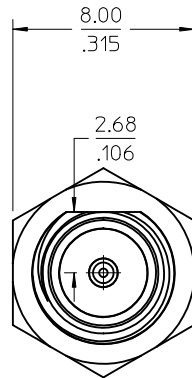
MICROCOAX WITH 1.32 CABLE

BODY, CONTACT: PHOSPHOR BRONZE  
PLATED GOLD

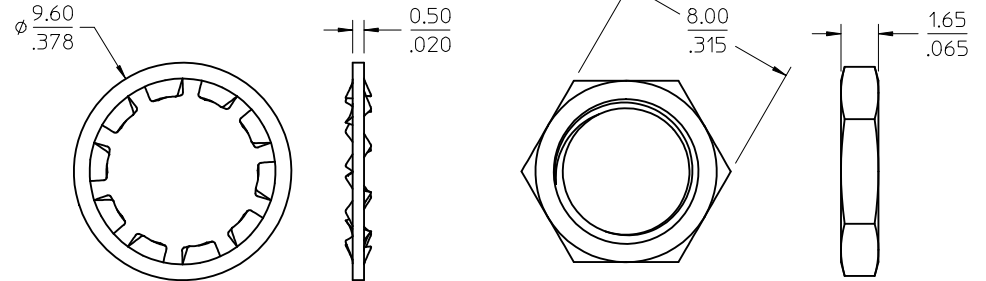
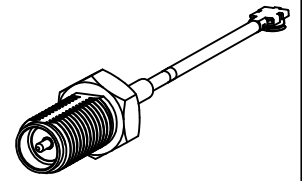
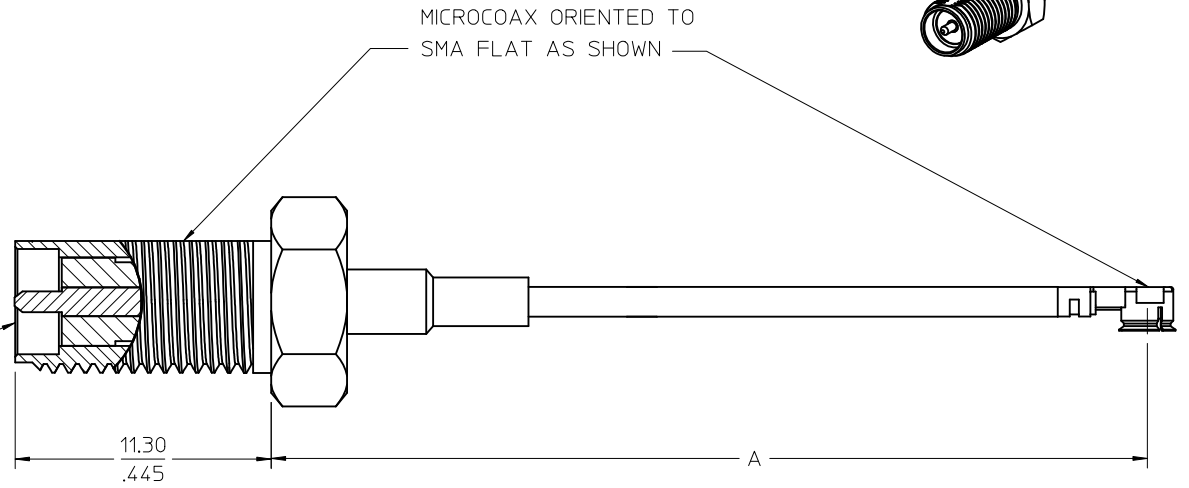
INSULATOR: PBT

CABLE  
1.32 CABLE

NOTE: MICROCOAX INTERMATEABLE  
WITH U.FL CONNECTORS



SMA JACK  
REV POLAR  
73251-4671



89761-8622	829.4 / 32.655
89761-8621	321.4 / 12.655
89761-8620	219.84 / 8.655
PART NO.	DIM A
	MM / IN

CHG: DIM A WAS DIM B RELEASE DWG EC NO: URF2012-0375 DRWN: JWIENER 2010/05/14 CHKD: AZR 2011/12/29 APPR: JWIENER 2011/12/29	QUALITY SYMBOLS ▽=0 ▽=0	GENERAL TOLERANCES (UNLESS SPECIFIED)	DIMENSION STYLE MM/IN	SCALE METRIC	DESIGN UNITS METRIC	THIRD ANGLE PROJECTION	
		4 PLACES ± --- ± --- 3 PLACES ± --- ± --- 2 PLACES ± --- ± --- 1 PLACE ± --- ± ---	DRAWN BY JWIENER	DATE 2010/05/14	TITLE SMA JK REV POL 50 OHM MICROCOAX 1.32 CABLE CA-SMA/MCOAX EWR-4388		
		ANGULAR ± 2 °	CHECKED BY AZR	DATE 2011/12/29	MOLEX INCORPORATED		
		DRAFT WHERE APPLICABLE MUST REMAIN WITHIN DIMENSIONS	APPROVED BY JWIENER	DATE 2011/12/29	MATERIAL NO. SEE TABLE	DOCUMENT NO. SD-89761-862	SHEET NO. 1 OF 1

THIS DRAWING CONTAINS INFORMATION THAT IS PROPRIETARY TO MOLEX INCORPORATED AND SHOULD NOT BE USED WITHOUT WRITTEN PERMISSION