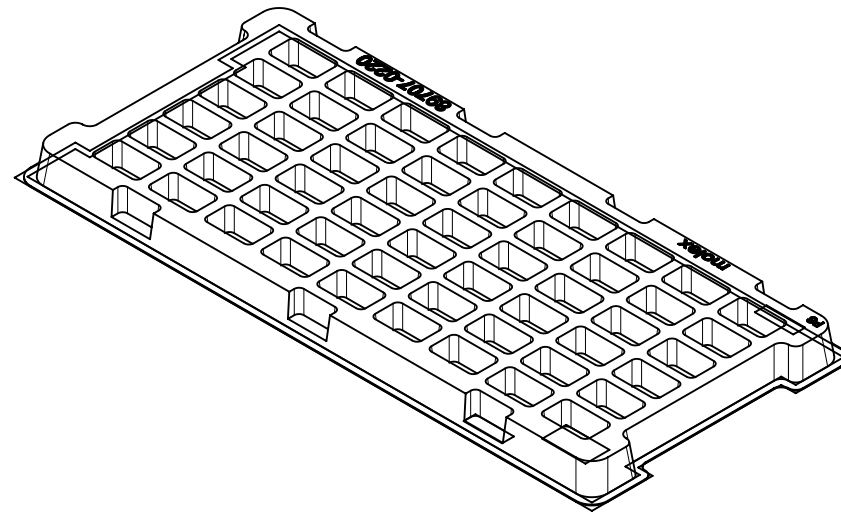
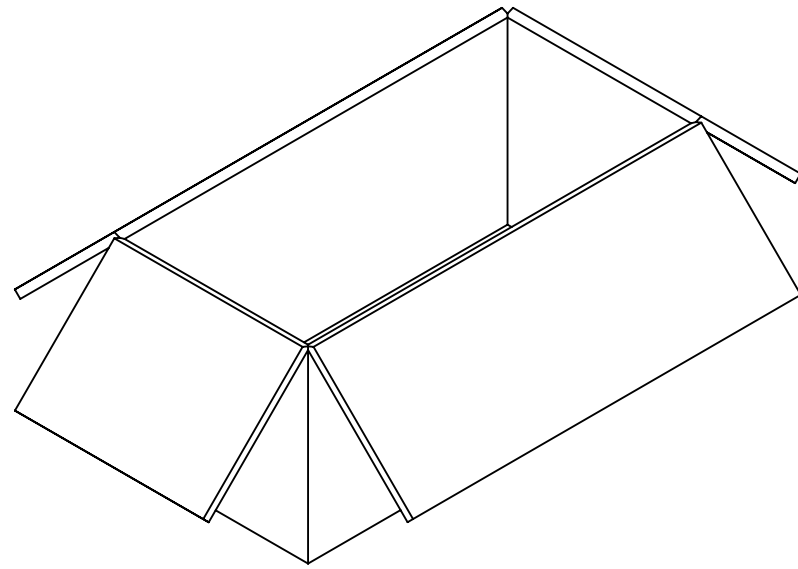


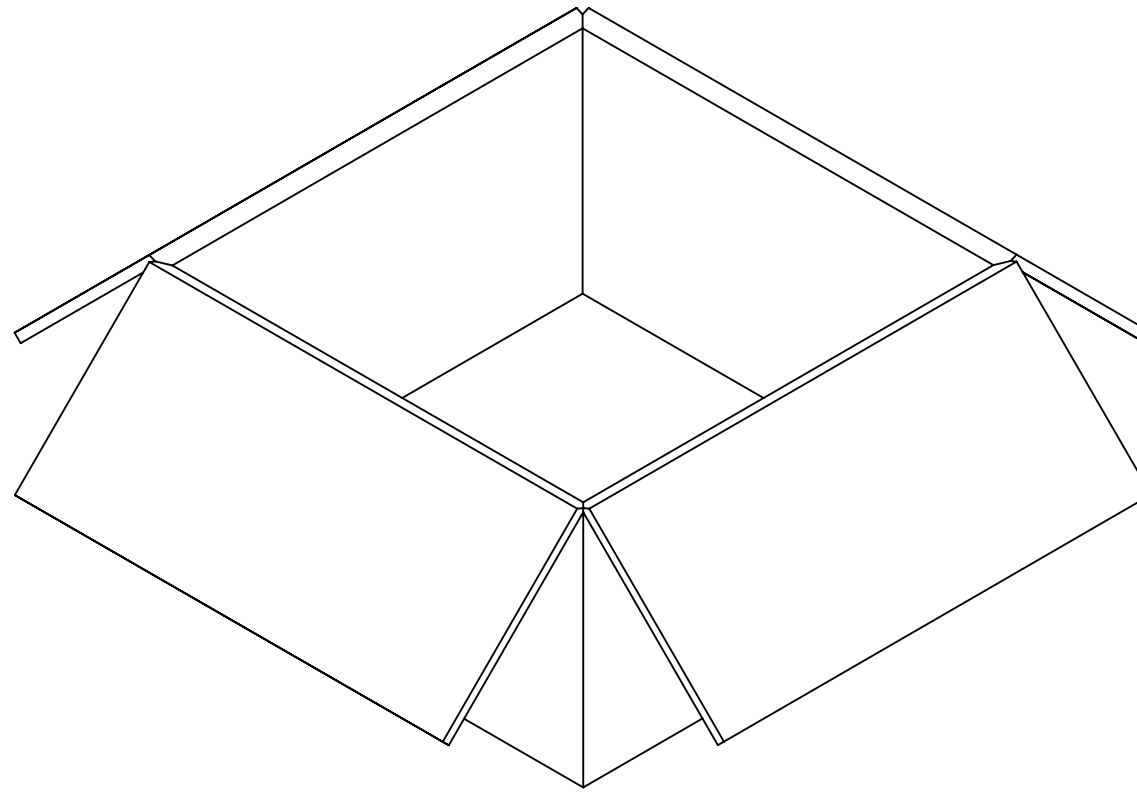
P/N 73403-535X



54 SET PER TRAY  
TRAY P/N 89707-0220  
360\*165\*18.6



540 SET PER INNER  
CARTON BOX  
P/N 96707-0001  
363\*176\*176



1080 SET PER OUTER  
CARTON BOX  
P/N 96708-0005  
383\*386\*196

<b>SYMBOLS</b> ▽ = 0 ▽ = 0 ▽ = 0 ▽ = 0 ▽ = 0 ▽ = 0 ▽ = 0 ▽ = 0 ▽ = 0 ▽ = 0	THIS DRAWING CONTAINS INFORMATION THAT IS PROPRIETARY TO MOLEX ELECTRONIC TECHNOLOGIES, LLC AND SHOULD NOT BE USED WITHOUT WRITTEN PERMISSION		SCALE		CURRENT REV DESC:						
	DIMENSION UNITS	HYBRID	NTS							SMB J FAKRA PIN IN PASTE 50 OHMS WITH LATCH UP FAKRA-J/PCB/PIN IN PASTE	
	GENERAL TOLERANCES (UNLESS SPECIFIED)		EC NO: 619428		DRWN: ELIN		2019/04/29		PRODUCT CUSTOMER DRAWING		
	ANGULAR TOL ± 2.0°		DRWN: ELIN		CHK'D: YCHENG		2019/06/21				
	4 PLACES ±		DRWN: ELIN		APPR: YCHENG		2019/06/21		DOCUMENT NUMBER		
	3 PLACES ±		INITIAL REVISION:		DRWN: ELIN		2015/10/21		SD-73403-535		
	2 PLACES ±		APPR: YCHENG		APPR: YCHENG		2015/10/26		DOC TYPE		
	1 PLACE ±		THIRD ANGLE PROJECTION		DRAWING		SERIES		DOC PART		
	0 PLACES ±		DRAFT WHERE APPLICABLE MUST REMAIN WITHIN DIMENSIONS		C-SIZE		73403		REVISION		
	0		THIRD ANGLE PROJECTION		DRAWING		SERIES		SHEET NUMBER		
				C-SIZE		73403		3 OF 3			

**molex**

SMB J FAKRA PIN IN PASTE  
50 OHMS WITH LATCH UP FAKRA-J/PCB/PIN IN PASTE

PRODUCT CUSTOMER DRAWING

SD-73403-535

PSD 001 A1

SEE TABLE GENERAL MARKET 3 OF 3