

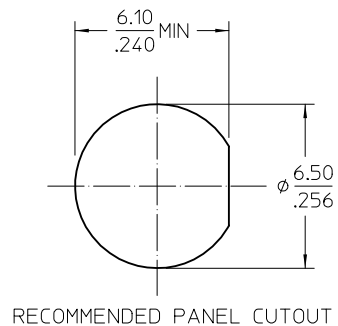
MATERIALS AND FINISHES:

BODY, JAM NUT BRASS  
PLATED GOLD FLASH

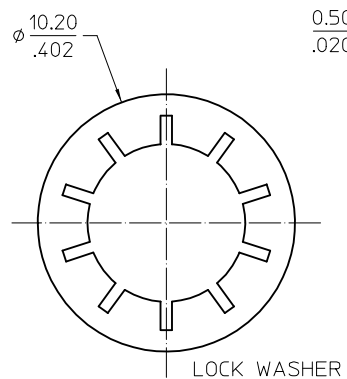
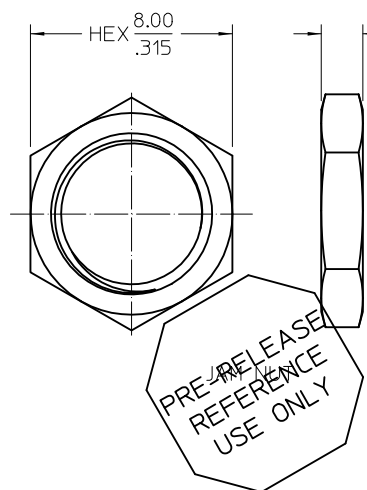
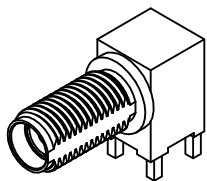
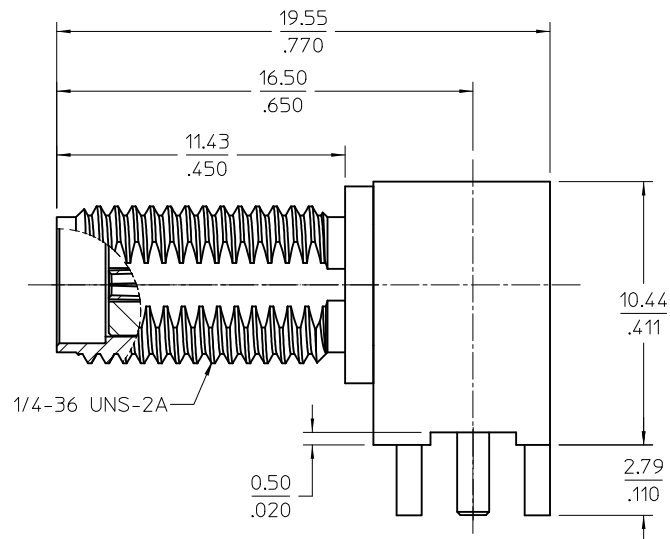
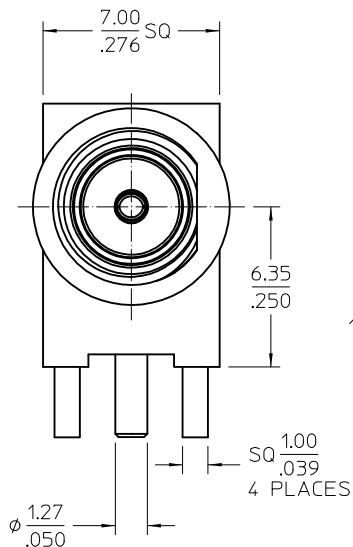
CONTACT BERYLLIUM COPPER  
PLATED GOLD FLASH

INSULATOR TEFLON

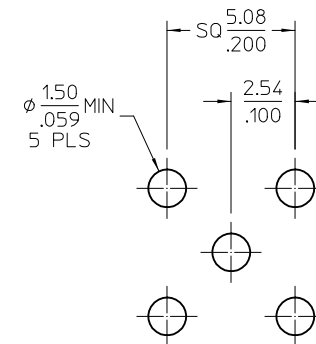
LOCK WASHER: SPCC  
PLATED GOLD FLASH



RECOMMENDED PANEL CUTOUT



LOCK WASHER



RECOMMENDED PCB LAYOUT

73251-6200	TRAY
PART NO	PACKAGING

CHG:NEW RELEASE EC NO: 2013/09/23	DRAWN BY: RYEH CHKD: APPR:	DESCRIPTION	QUALITY SYMBOLS	GENERAL TOLERANCES (UNLESS SPECIFIED)		DIMENSION STYLE		SCALE	DESIGN UNITS	THIRD ANGLE PROJECTION	
				mm	INCH	MM/IN	7:1	METRIC			
1				4 PLACES	± --- ± ---	DRAWN BY	DATE	TITLE			
				3 PLACES	± --- ± ---	CHECKED BY	DATE	SMA JACK R/A PCB TH 50 OHMS SMA-J/PCB			
				2 PLACES	± --- ± ---	APPROVED BY	DATE	<b>molex</b>			
				1 PLACE	± --- ± ---						
				0 PLACE	± --- ± ---			DOCUMENT NO.		SHEET NO.	
				ANGULAR ± 2 °		MATERIAL NO.		SD-73251-620		1 OF 1	
				DRAFT WHERE APPLICABLE MUST REMAIN WITHIN DIMENSIONS		SEE TABLE		THIS DRAWING CONTAINS INFORMATION THAT IS PROPRIETARY TO MOLEX INCORPORATED AND SHOULD NOT BE USED WITHOUT WRITTEN PERMISSION			