

MATERIALS AND FINISHES:

SMB PLUG STR FAKRA 50 OHMS  
(MOLEX P/N: 73403-7760)

BODY BRASS  
PLATED NICKEL

CENTER CONTACT PHOSPHOR BRONZE  
PLATED GOLD

CRIMP TUBE BRASS  
PLATED NICKEL

OUTER CASING NYLON 66 OR EQUIVALENT  
KEYING CODE Z  
COLOR WATER BLUE

GASKET SILICON RUBBER

INSULATOR TEFLON

SMB PLUG STR 50 OHMS  
(MOLEX P/N:73404-6580)

BODY BRASS  
PLATED TIN

CONTACT BERYLLIUM COPPER  
PLATED GOLD

INSULATOR TEFLON

OUTER CONTACT BERYLLIUM COPPER  
PLATED NICKEL

CONTACT CABLE BRASS  
PLATED GOLD

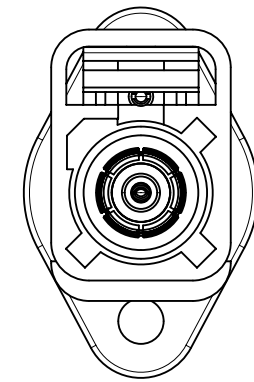
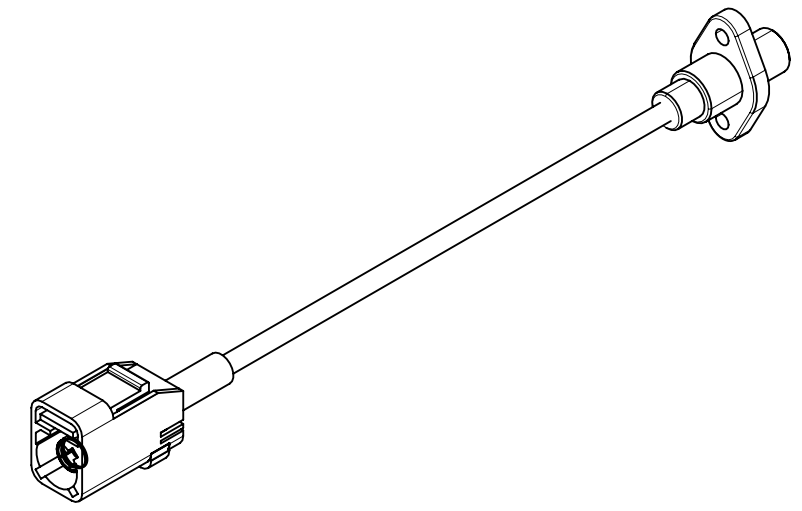
GASKET SILICONE RUBBER

CABLE RG174 50 OHMS

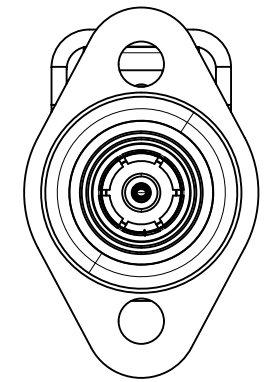
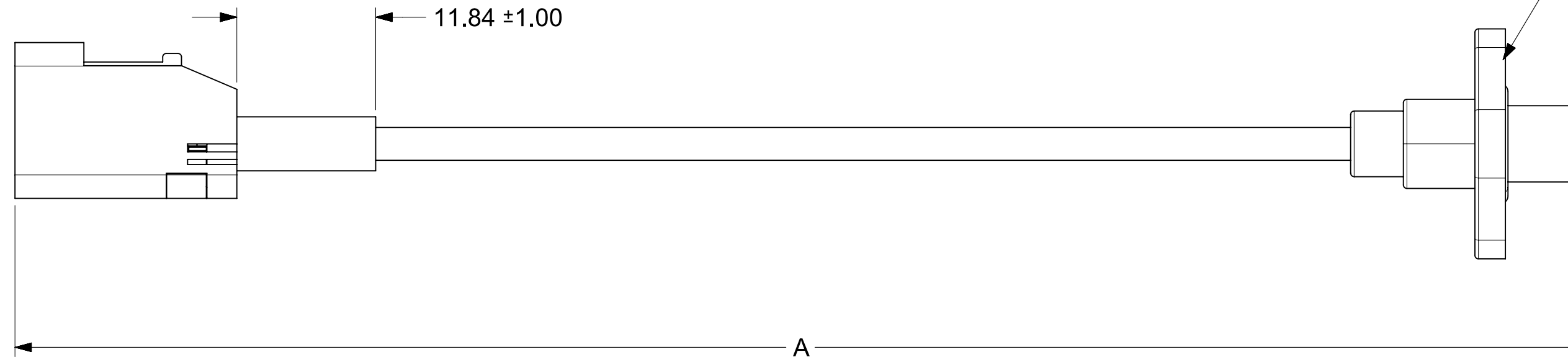
SHRINK TUBE ATUM OR EQUIVALENT

OVER MOLDING PBT  
COLOR BLACK

PACKAGE BY POLY BAG



FAKRA II PLUG  
CONNECTOR  
KEYING  
CODE Z SHOWN  
COLOR WATER BLUE



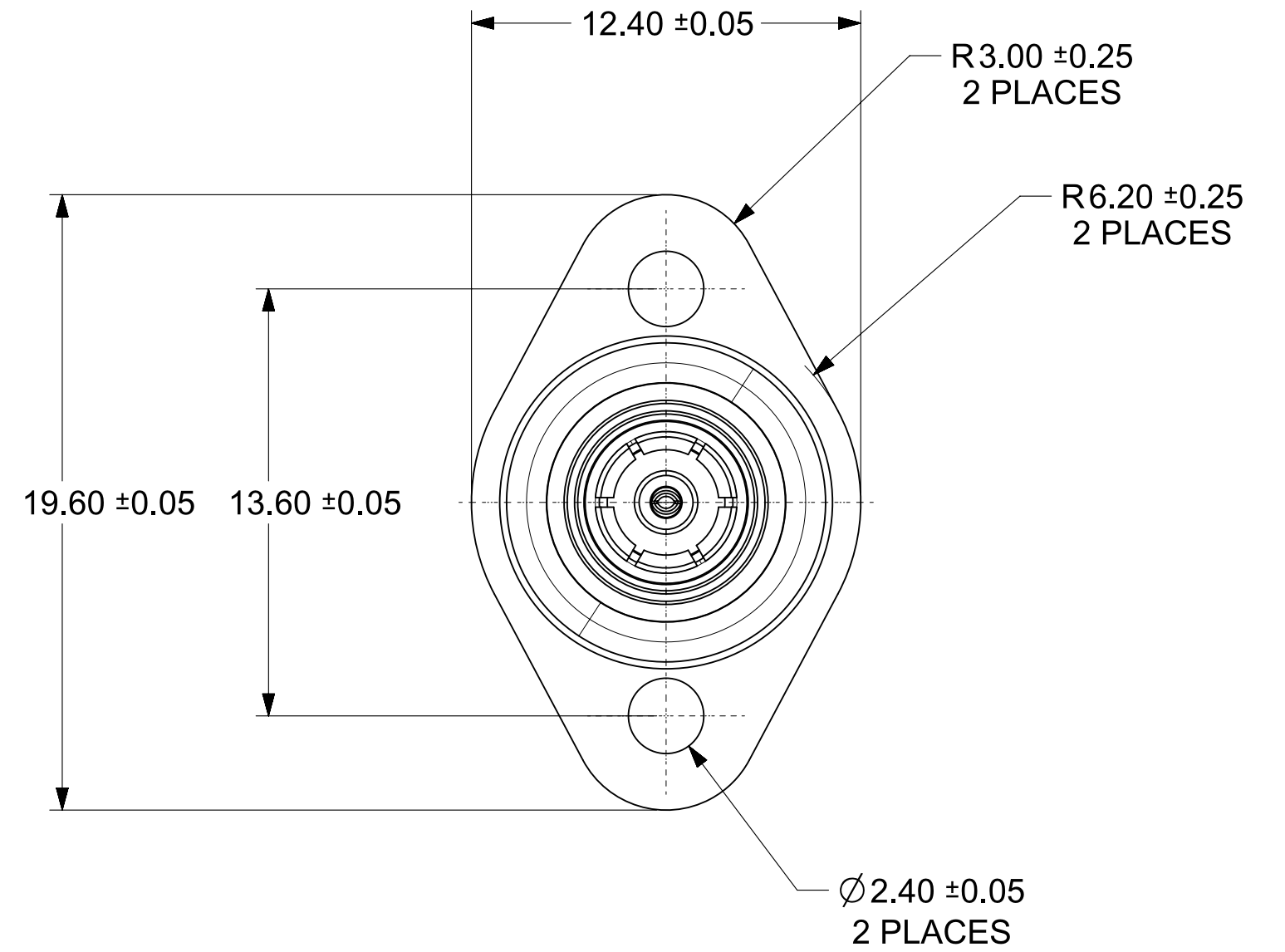
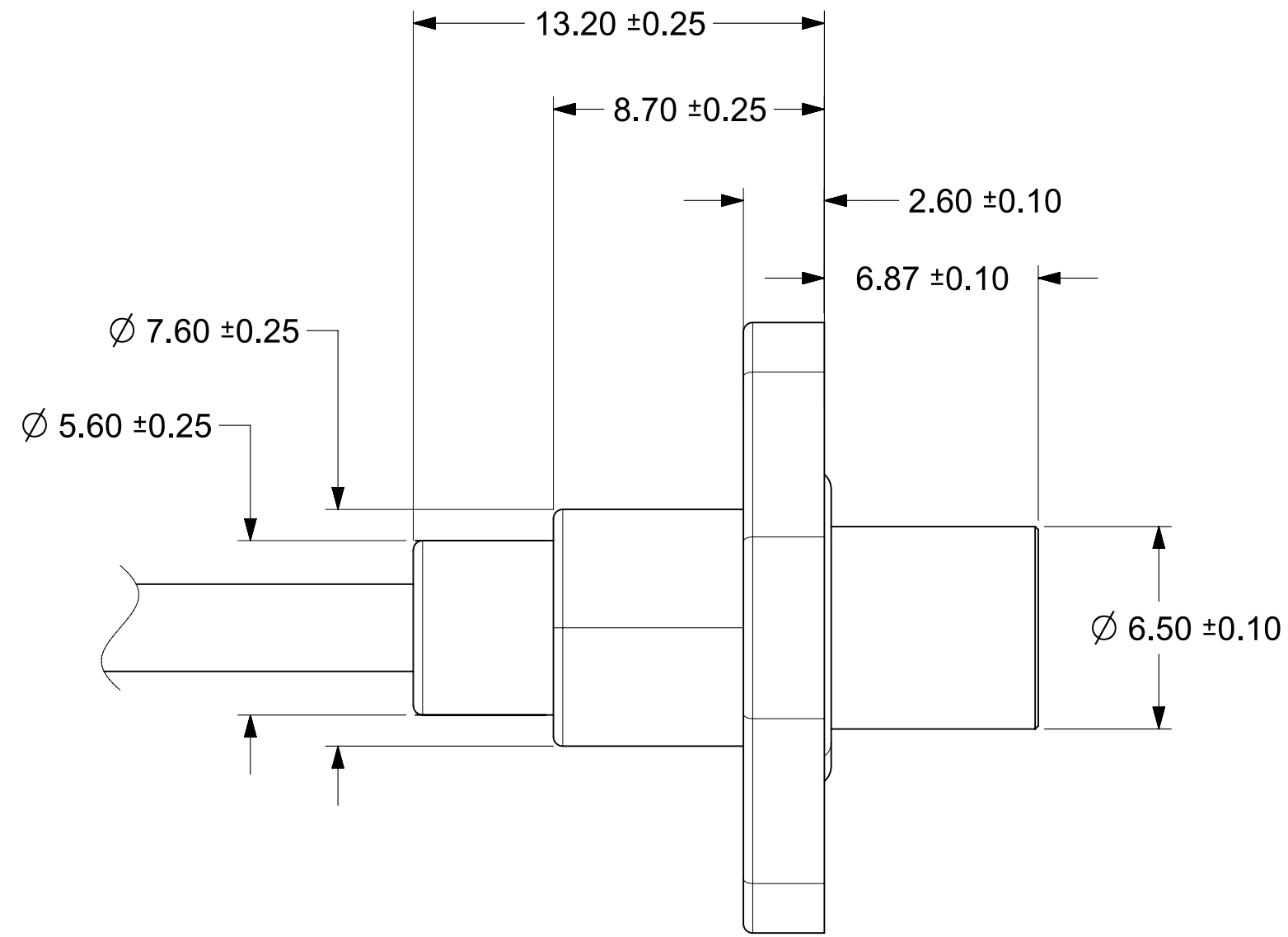
PRE-RELEASE  
REFERENCE  
USE ONLY

73135-9520	5.906+.394/-0	150.0+10.0/-0
PART NO.	INCH	MM
	DIM A	

DN 72594-1	INTERFACE SPECIFICATION
SPECIFICATION	DESCRIPTION

SYMBOLS	THIS DRAWING CONTAINS INFORMATION THAT IS PROPRIETARY TO MOLEX ELECTRONIC TECHNOLOGIES, LLC AND SHOULD NOT BE USED WITHOUT WRITTEN PERMISSION										
	DIMENSION UNITS	SCALE	CURRENT REV DESC: ON SHEET 2 LOCATION F8 DIMS. 6.87 WAS 6.37								
	mm	1:2									
	GENERAL TOLERANCES (UNLESS SPECIFIED)			EC NO: 2019/06/18							CA FAKRA P TO SMB P STR. IP67 W/RG174 CABLE EWR#: 12176-G
ANGULAR TOL	±	°	DRWN: MXU11								
4 PLACES	±		CHK'D:							PRODUCT CUSTOMER DRAWING	
3 PLACES	±		APPR:								
2 PLACES	±		INITIAL REVISION:							DOCUMENT NUMBER: 731359520 DOC TYPE: PSD DOC PART: 000 REVISION: 2	
1 PLACE	±		DRWN: MXU11								
0 PLACES	±		APPR:							MATERIAL NUMBER: SEE TABLE CUSTOMER:	
DRAFT WHERE APPLICABLE MUST REMAIN WITHIN DIMENSIONS			THIRD ANGLE PROJECTION	DRAWING	SERIES	SHEET NUMBER					
				C-SIZE	73135	1 OF 2					

DOCUMENT STATUS	RELEASE DATE	DESCRIPTION
1	2018/08/29	NEW PRODUCT PER EWR#: 12176-G
REV	DATE	DESCRIPTION



PRE-RELEASE  
REFERENCE  
USE ONLY

THIS DRAWING CONTAINS INFORMATION THAT IS PROPRIETARY TO MOLEX ELECTRONIC TECHNOLOGIES, LLC AND SHOULD NOT BE USED WITHOUT WRITTEN PERMISSION										
SYMBOLS		DIMENSION UNITS	SCALE	CURRENT REV DESC: ON SHEET 2 LOCATION F8 DIMS. 6.87 WAS 6.37			<b>molex</b>			
▽ = 0	mm	1:1	EC NO: DRWN: MXU11 2019/06/18			CA FAKRA P TO SMB P STR. IP67 W/RG174 CABLE				
▽ = 0	GENERAL TOLERANCES (UNLESS SPECIFIED)									
▽ = 0	ANGULAR TOL ± °		CHK'D: APPR:			PRODUCT CUSTOMER DRAWING				
▽ = 0	4 PLACES ±									
▽ = 0	3 PLACES ±		INITIAL REVISION: DRWN: MXU11 2018/08/28			DOCUMENT NUMBER		DOC TYPE	DOC PART	REVISION
▽ = 0	2 PLACES ±					731359520		PSD	000	2
▽ = 0	1 PLACE ±		APPR:			MATERIAL NUMBER		CUSTOMER		SHEET NUMBER
▽ = 0	0 PLACES ±					SEE TABLE				2 OF 2
▽ = 0	DRAFT WHERE APPLICABLE MUST REMAIN WITHIN DIMENSIONS		THIRD ANGLE PROJECTION	DRAWING	SERIES	MATERIAL NUMBER		CUSTOMER	SHEET NUMBER	
▽ = 0				C-SIZE	73135	SEE TABLE			2 OF 2	

DOCUMENT STATUS	RELEASE DATE
-----------------	--------------