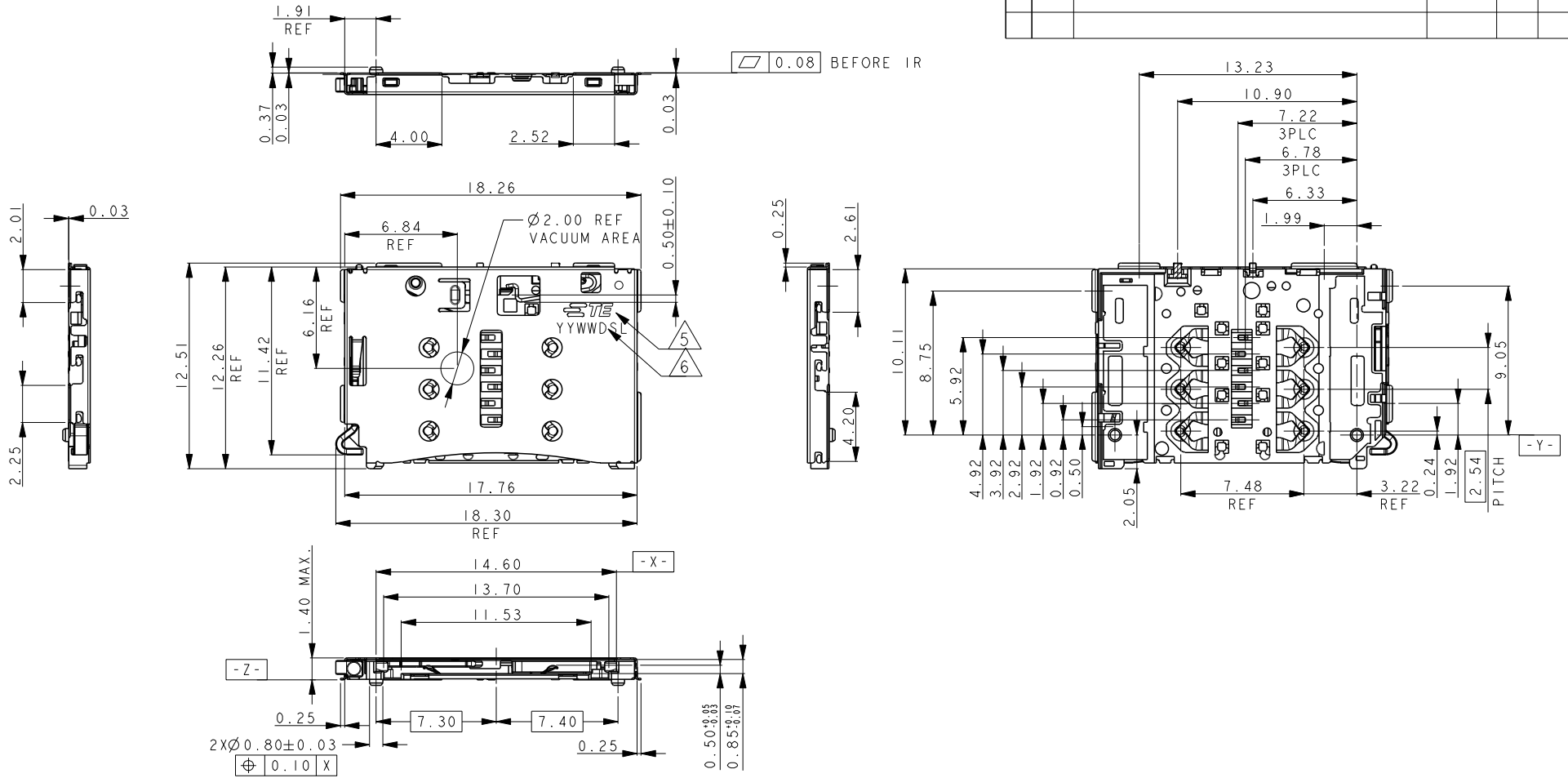


THIS DRAWING IS UNPUBLISHED. RELEASED FOR PUBLICATION 20
 © COPYRIGHT 20 BY - ALL RIGHTS RESERVED.

2286990-1: AS SHOWN

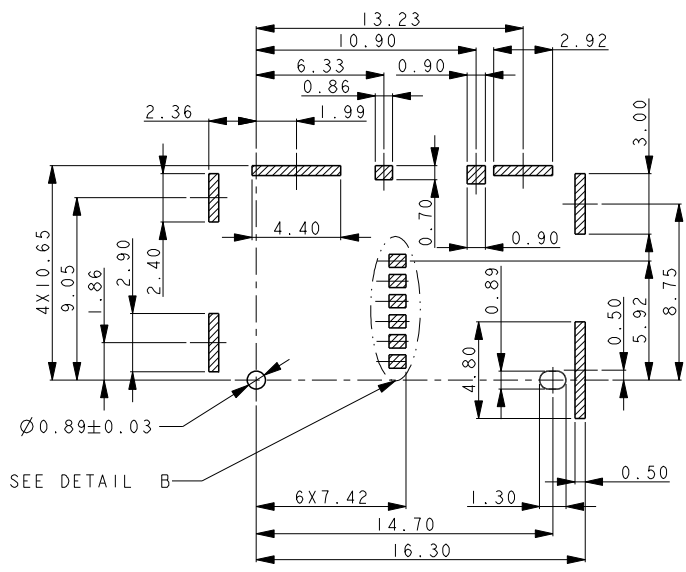
REVISIONS				
P	LTR	DESCRIPTION	DATE	DWN APVD
	A	INITIAL RELEASE	11JUN2015	R.M C.W



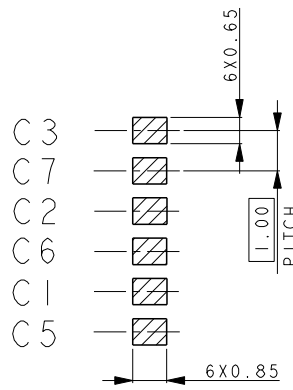
THIS DRAWING IS A CONTROLLED DOCUMENT.		DWN RICK ZHAO 02DEC2014	TE Connectivity	
		CHK SIMON LI 02DEC2014		
DIMENSIONS: mm		APVD COREI WANG 02DEC2014	NAME NANO SIM CARD SOCKET WITH EM TRAY TYPE	
		PRODUCT SPEC 108-115085	-	
TOLERANCES UNLESS OTHERWISE SPECIFIED:		APPLICATION SPEC	-	
0 PLC ±		WEIGHT	-	
1 PLC ±0.1		CUSTOMER DRAWING	-	
2 PLC ±0.1		SCALE 4:1	SHEET 1 OF 4	
3 PLC ±		RESTRICTED TO	-	
4 PLC ±		REV A	-	
ANGLES ±			-	
FINISH			-	
MATERIAL			-	

REVISIONS				
P	LTR	DESCRIPTION	DATE	APVD
-		SEE SHEET 1	-	-

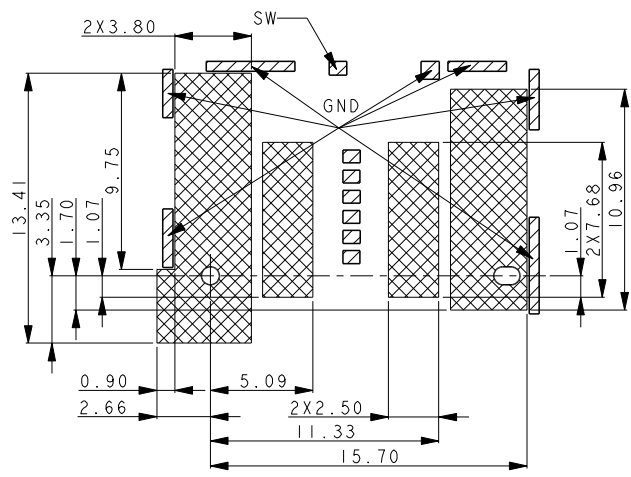
RECOMMEND PCB LAYOUT
 TOLERANCE: ±0.05



PCB LAYOUT
 (TOLERANCE ±0.05mm)



DETAIL B
 SCALE 8:1



PCB KEEP OUT ZONE
 (TOLERANCE ±0.05mm)

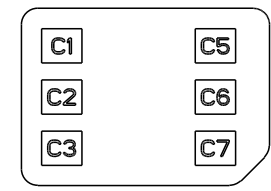
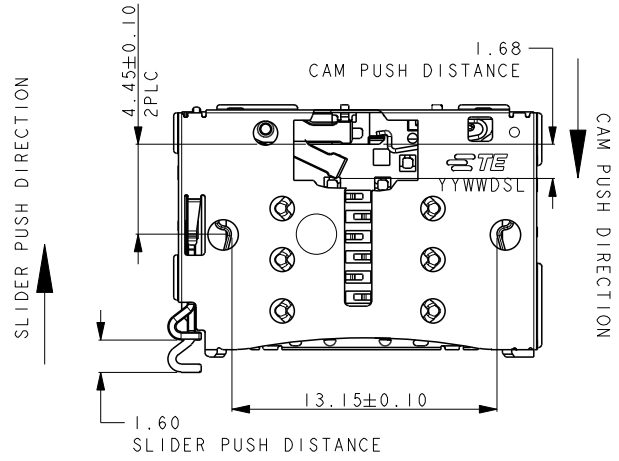
▨ SOLDERING AREA
 ▩ NO CIRCUIT ALLOWED AREA

THIS DRAWING IS A CONTROLLED DOCUMENT.		DWN RICK ZHAO 02DEC2014	TE Connectivity	
		CHK SIMON LI 02DEC2014		
DIMENSIONS: mm		APVD COREI WANG 02DEC2014	NAME NANO SIM CARD SOCKET WITH EM TRAY TYPE	
TOLERANCES UNLESS OTHERWISE SPECIFIED: 0 PLC ± 1 PLC ±0.1 2 PLC ±0.1 3 PLC ± 4 PLC ± ANGLES ±		PRODUCT SPEC 108-115085	-	
MATERIAL -		FINISH -	APPLICATION SPEC -	RESTRICTED TO
		WEIGHT -	SIZE A3	CAGE CODE -
			DRAWING NO C-2286990	REV A
		CUSTOMER DRAWING		SCALE 4:1 SHEET 2 OF 4

REVISONS

P	LTR	DESCRIPTION	DATE	DWN	APVD
-		SEE SHEET 1	-	-	-

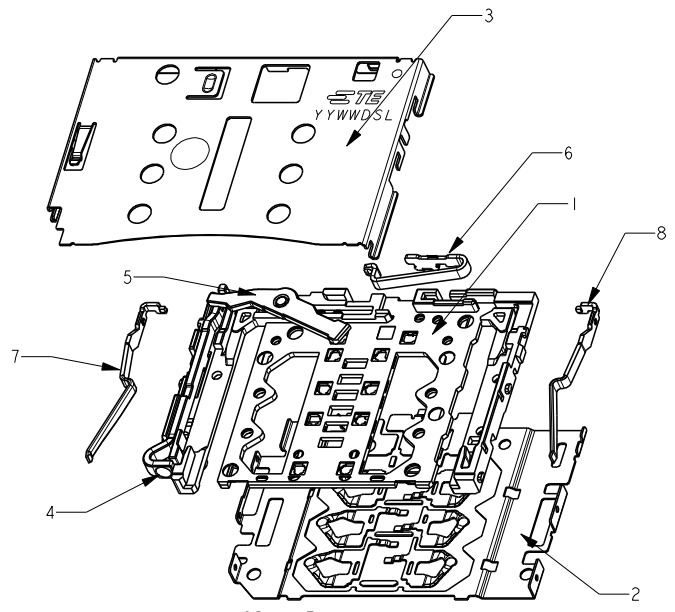
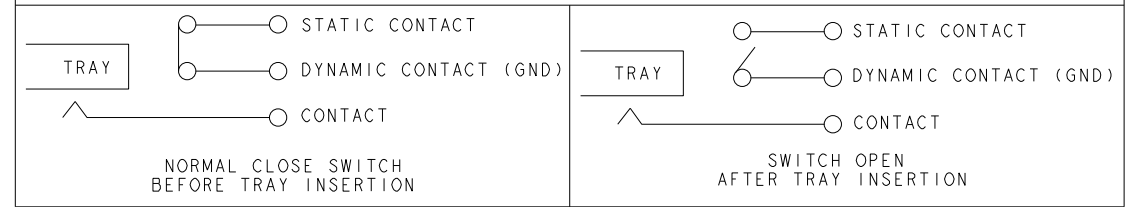
APPLICATION VIEW



CARD PIN ASSIGNMENT

NANO SIM CARD	
C1	VCC OF SIM
C2	RST OF SIM
C3	CLK OF SIM
C5	GND OF SIM
C6	VPP OF SIM
C7	DATA OF SIM

CIRCUIT DIAGRAM FOR DETECT SWITCH (TRAY DETECTED)

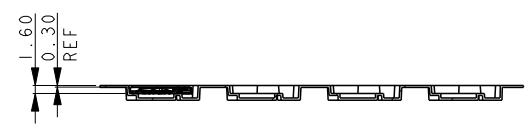
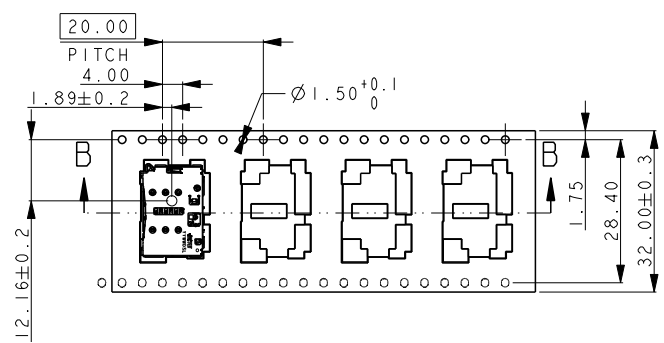


3D VIEW
SCALE 4:1

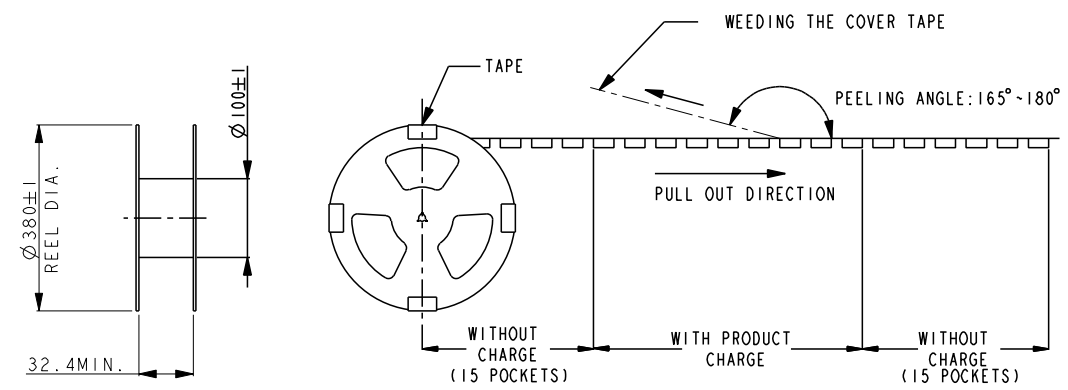
THIS DRAWING IS A CONTROLLED DOCUMENT.		DWN RICK ZHAO 02DEC2014	TE Connectivity		
DIMENSIONS: mm		CHK SIMON LI 02DEC2014			
TOLERANCES UNLESS OTHERWISE SPECIFIED:		APVD COREI WANG 02DEC2014	NAME NANO SIM CARD SOCKET WITH EM TRAY TYPE		
0 PLC ± 1 PLC ±0.1 2 PLC ±0.1 3 PLC ± 4 PLC ± ANGLES ±		PRODUCT SPEC 108-115085	RESTRICTED TO		
MATERIAL		APPLICATION SPEC	SIZE A3	CAGE CODE	DRAWING NO C-2286990
FINISH		WEIGHT	SCALE 4:1		SHEET 3 OF 4
		CUSTOMER DRAWING	REV A		

REVISIONS

P	LTR	DESCRIPTION	DATE	DWN	APVD
-		SEE SHEET 1	-	-	-



SECTION B-B



(NO SCALE)

- △ MATERIAL
 HOUSING : HIGH TEMPERATURE THERMAL PLASTIC, UL94V-0.
 CONTACT : COPPER ALLOY.
 SWITCH CONTACT : STAINLESS STEEL.
 SHELL : STAINLESS STEEL.
 LATCH : STAINLESS STEEL.
 SLIDER : STAINLESS STEEL.
 CAM : STAINLESS STEEL.
- △ 2 FINISH
 CONTACT : Ni PL ALL OVER.
 Au PL ON CONTACT AREA.
 Au PL ON SOLDER AREA.
 SWITCH CONTACT : Ni PL ALL OVER.
 Au PL ON CONTACT AREA.
 Au PL ON SOLDER AREA.
 SHELL : Ni PL ALL OVER.
 Au PL ON SOLDER AREA.
- 3. COPLANARITY :
 0.08mm MAX BEFORE REFLOW.
- 4. RECOMMENDED STEEL MASK THICKNESS 0.1mm MIN.
- △ 5. TE LOGO.
- 6. DATA CODE: YWDSL (YEAR, WEEK, DAY, SHIFT AND LINE).
- 7. HARMFUL MATERIAL CONTROL IS COMPLIANT TO RoHS.
- 8. PACKAGE:
 TAPE MATERIAL: P.S 0.30mm THICKNESS, COLOR: CLEAR.
 QUANTITY PER REEL : 1500 PCS.

THIS DRAWING IS A CONTROLLED DOCUMENT.		DWN RICK ZHAO 02DEC2014	TE Connectivity	
		CHK SIMON LI 02DEC2014		
DIMENSIONS: mm		APVD COREI WANG 02DEC2014	NAME NANO SIM CARD SOCKET WITH EM TRAY TYPE	
TOLERANCES UNLESS OTHERWISE SPECIFIED: 0 PLC ± 1 PLC ±0.1 2 PLC ±0.1 3 PLC ± 4 PLC ± ANGLES ± FINISH		PRODUCT SPEC 108-115085	RESTRICTED TO	
MATERIAL -		APPLICATION SPEC -	SIZE A3	CAGE CODE -
		WEIGHT -	DRAWING NO C-2286990	
		CUSTOMER DRAWING		SCALE 1:1 SHEET 4 OF 4 REV A