

4

3

2

1

THIS DRAWING IS UNPUBLISHED.

RELEASED FOR PUBLICATION

20

© COPYRIGHT 20

ALL RIGHTS RESERVED.

LOC
ES

DIST

REVISIONS

P	LTR	DESCRIPTION	DATE	DWN	APVD
	A1	UDPATE PACKAGING INFORMATION	25JUN2014	M.S	X.X
	A3	NOTE 5, 6	05DEC2014	M.S	X.X
	A4	MARK CHANGE	14MAY2015	M.S	X.X
	A5	ADD PN	13OCT2015	M.S	X.X

PLUG

RECEPTACLE

SOLID

18-22AWG

STE

13.30REF

40.00REF

7.75REF

STE

18-22AWG

SOLID

7.75REF

PART NUMBER	PLUG	RECEPTACLE	PART COLOR
2271203-1	2271180-1	2271183-1	ORANGE
2271203-2	2271180-2	2271183-2	BLACK
2271203-3	2271180-3	2271183-3	WHITE (NATURAL)

NOTES:

1 MATED CONNECTOR PART NUMBER:SEE TABLE.

2 MATERIAL

3 TERMINAL: COPPER ALLOY.

4 HOUSING: NYLON, UL 94-V0.COLOR: ORANGE.

5 FINISH

6 TERMINAL: TIN PLATING OVERALL.

7 PACKAGING: PLASTIC BAG.

8 APPLICABLE WIRE: AWG18-22 SOLID OR TIN DIPPED STRANDED.
(16 STRANDS MAX. FOR 18 AWG, 7 STRANDS MAX FOR 20-22 AWG. SEE RELATED APPLICATION SPECIFICATION AND PRODUCT SPECIFICATION)

9 STRIP LENGTH:9.5±0.80mm.

10 PRODUCT COMPLIES TO UL 2459 REQUIREMENT AND QUALIFIED:
ZMNA.E308110 ; ZMNA7.E308110

THIS DRAWING IS A CONTROLLED DOCUMENT.

DIMENSIONS:
mm

TOLERANCES UNLESS
OTHERWISE SPECIFIED:
±0.50

0-PLC	±
1-PLC	±
2-PLC	±
3-PLC	±
4-PLC	±
ANGLES	±5°

MATERIAL

FINISH

DWN 18MAY2014

SHI MING

CHK 18MAY2014

XU XIANG

APVD 18MAY2014

XU XIANG

PRODUCT SPEC

108-137020

APPLICATION SPEC

114-137020

WEIGHT

3.56g

CUSTOMER DRAWING

TE Connectivity

NAME
2 PIN WIRE TO WIRE CONNECTOR

SIZE

CAGE CODE

DRAWING NO

RESTRICTED TO

A

300779

C=2271203

SCALE 4:1

SHEET

1

OF

2

REV

A5

1470-19 (3/11)

4

3

2

1

THIS DRAWING IS UNPUBLISHED.

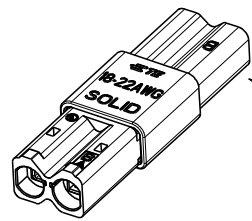
RELEASED FOR PUBLICATION

20

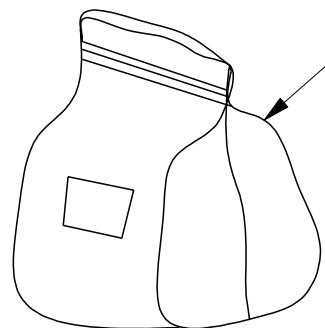
© COPYRIGHT 20

ALL RIGHTS RESERVED.

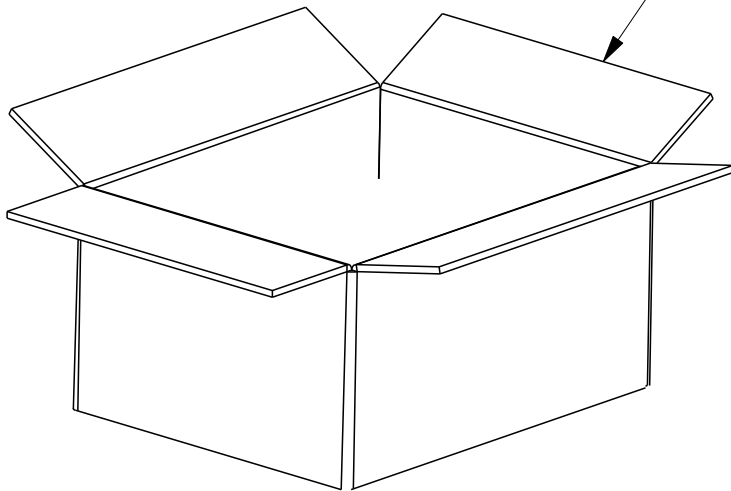
LOC	DIST	REVISIONS					
		P	LTR	DESCRIPTION	DATE	DWN	APVD
ES							



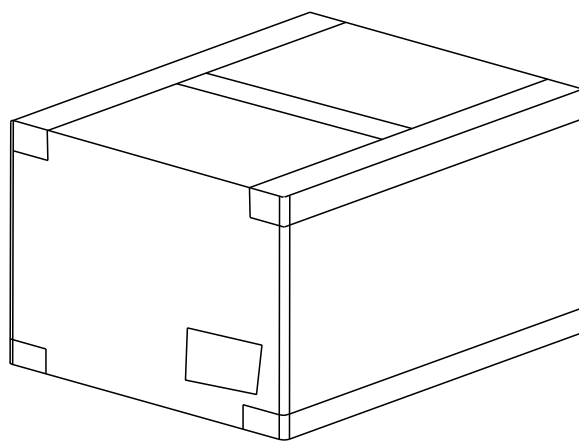
2271203-X



PLASTIC BAG





CARTON



NOTE:
1. PACKAGING QUANTITY: SEE TABLE.

PAIRS PER BAG	BAGS PER CARTON	PAIRS PER CARTON
250 PCS	8	2000

THIS DRAWING IS A CONTROLLED DOCUMENT.		DWN	18MAY2014	 TE Connectivity	NAME 2 PIN WIRE TO WIRE CONNECTOR
DIMENSIONS: mm		CHK	18MAY2014		
		APVD	18MAY2014		
TOLERANCES UNLESS OTHERWISE SPECIFIED:		XU XIANG		PRODUCT SPEC	
0 PLC ±		XU XIANG		APPLICATION SPEC	
1 PLC ±10				WEIGHT	
2 PLC ±5.0				SCALE 4:1	
3 PLC ±				SHEET 2 OF 2	
4 PLC ±				REV A5	
ANGLES ±5°				RESTRICTED TO	
MATERIAL				-	
FINISH				-	
				A300779C-2271203	
				CUSTOMER DRAWING	

D

C

B

A