

4

3

2

1

THIS DRAWING IS UNPUBLISHED.

RELEASED FOR PUBLICATION

20

LOC
ES

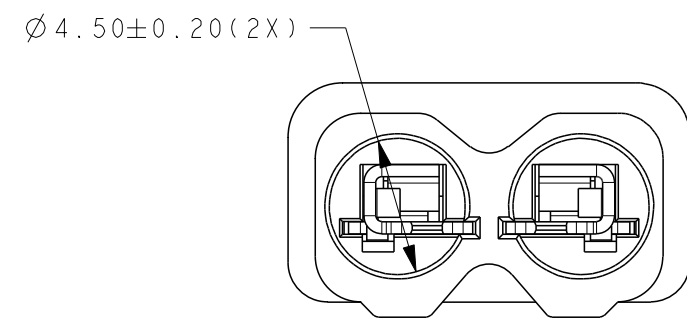
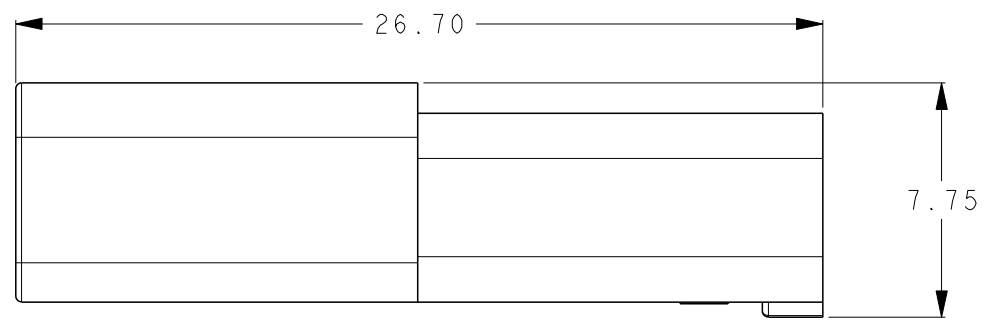
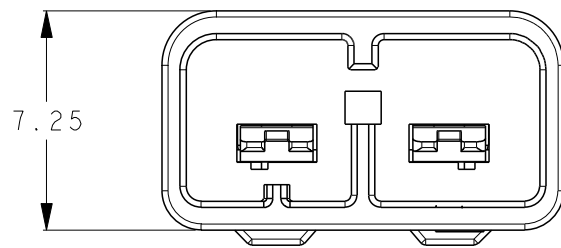
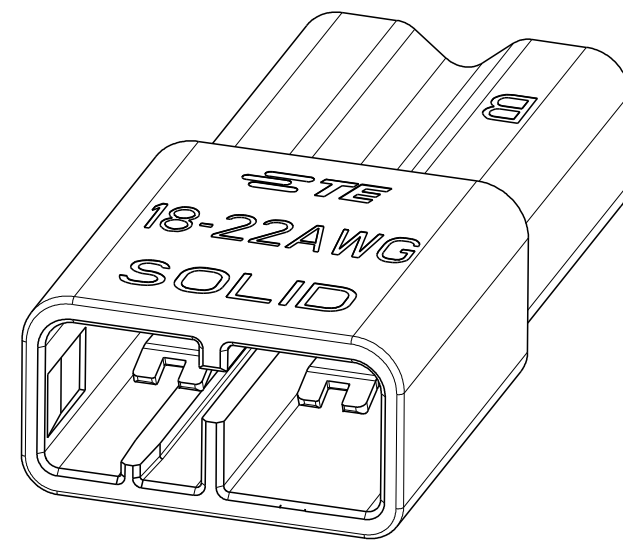
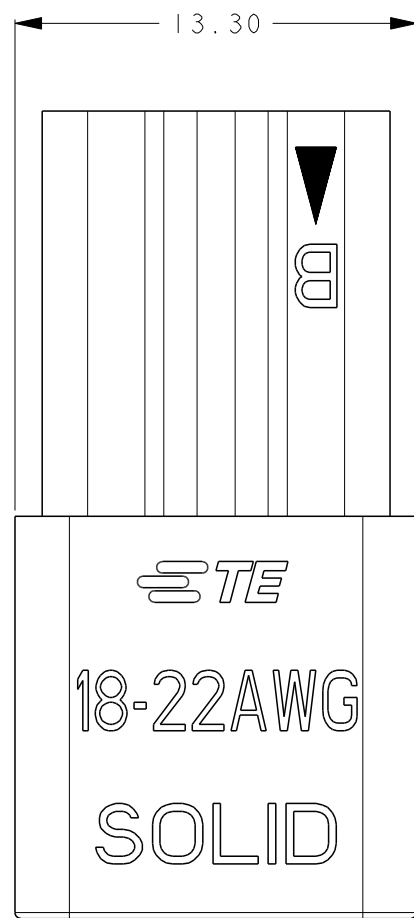
DIST

REVISIONS

© COPYRIGHT 20

ALL RIGHTS RESERVED.

P	LTR	DESCRIPTION	DATE	DWN	APVD
	A2	UPDATE PACKAGING INFORMATION	25JUN2014	M.S	X.X
	A3	NOTE 4, 6	05DEC2014	M.S	X.X
	A4	MARK CHANGE	14MAY2015	M.S	X.X
	A5	ADD PN	13OCT2015	M.S	X.X



PART NUMBER	PART COLOR
2271183-1	ORANGE
2271183-2	BLACK
2271183-3	WHITE (NATURAL)

- NOTES:
- 1. TE PART NUMBER: SEE TABLE.
 - 2. MATERIAL: COPPER ALLOY.
 - 3. HOUSING: NYLON, UL 94-V0. COLOR: ORANGE.
 - 4. FINISH: TERMINAL: TIN PLATING OVERALL.
 - 5. APPLICABLE WIRE: AWG18-22 SOLID OR TIN DIPPED STRANDED. (16 STRANDS MAX. FOR 18 AWG, 7 STRANDS MAX FOR 20-22 AWG. SEE RELATED APPLICATION SPECIFICATION AND PRODUCT SPECIFICATION)
 - 6. STRIP LENGTH: 9.5 ± 0.80mm.
 - 7. APPLICABLE MATING PLUG: 2271180 SERIES.
 - 8. PRODUCT COMPLIES TO UL 2459 REQUIREMENT AND QUALIFIED: ZMNA.E308110 ; ZMNA7.E308110

THIS DRAWING IS A CONTROLLED DOCUMENT.		DWN	18DEC2013	TE TE Connectivity				
		CHK	SHI MING 18DEC2013					
		APVD	XU XIANG 18DEC2013					
		NAME	XU XIANG					
DIMENSIONS: mm		PRODUCT SPEC	108-137020	2 PINS WIRE TO WIRE CONNECTOR RECEPTACLE				
TOLERANCES UNLESS OTHERWISE SPECIFIED: ± 0.5		APPLICATION SPEC	114-137020					
MATERIAL		WEIGHT	1.82 g	SIZE	CAGE CODE	DRAWING NO	RESTRICTED TO	
FINISH		CUSTOMER DRAWING		A300779	C-2271183		-	
		SCALE		4:1	SHEET		1 OF 3	
						REV		A5

4

3

2

1

THIS DRAWING IS UNPUBLISHED.

RELEASED FOR PUBLICATION

20

© COPYRIGHT 20

ALL RIGHTS RESERVED.

LOC
ES

DIST

REVISIONS

P	LTR	DESCRIPTION	DATE	DWN	APVD

MATED WITH PLUG

40.00

13.30

STE
18-22AWG
SOLID

B

STE
18-22AWG
SOLID

B

7.75 REF

THIS DRAWING IS A CONTROLLED DOCUMENT.

DWN 18DEC2013

SHI MING

CHK 18DEC2013

XU XIANG

APVD 18DEC2013

XU XIANG

PRODUCT SPEC

APPLICATION SPEC

WEIGHT

TE Connectivity

NAME
2 PINS WIRE TO WIRE CONNECTOR
RECEPTACLE

DIMENSIONS:

mm

TOLERANCES UNLESS
OTHERWISE SPECIFIED:
± 0.5

0-PLC ±

1-PLC ±

2-PLC ±

3-PLC ±

4-PLC ±

ANGLES ± 5°

MATERIAL

FINISH

CUSTOMER DRAWING

SIZE	CAGE CODE	DRAWING NO	RESTRICTED TO
A3	00779	C-2271183	-

SCALE	SHEET	OF	REV
4:1	2	3	A5

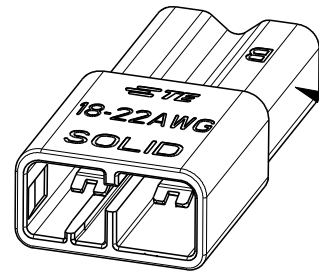
1470-19 (3/11)

LOC
ES

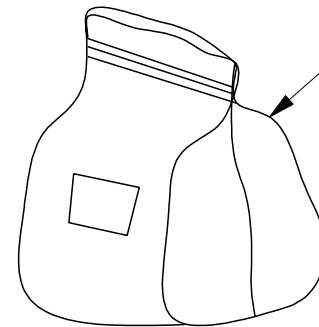
DIST

REVISIONS

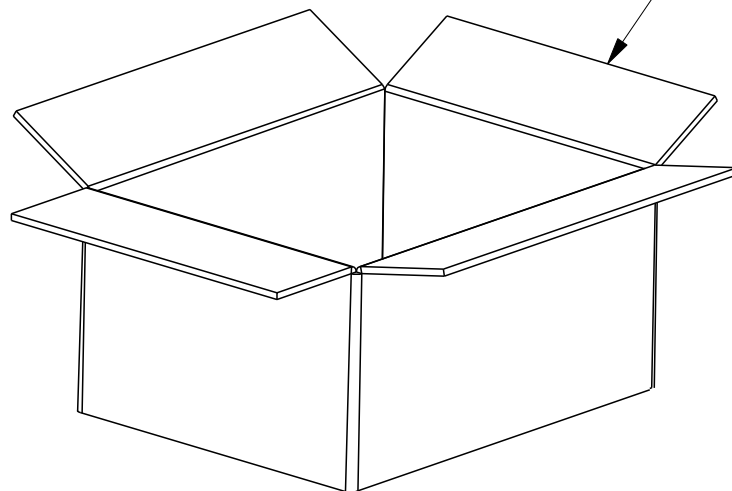
P	LTR	DESCRIPTION	DATE	DWN	APVD



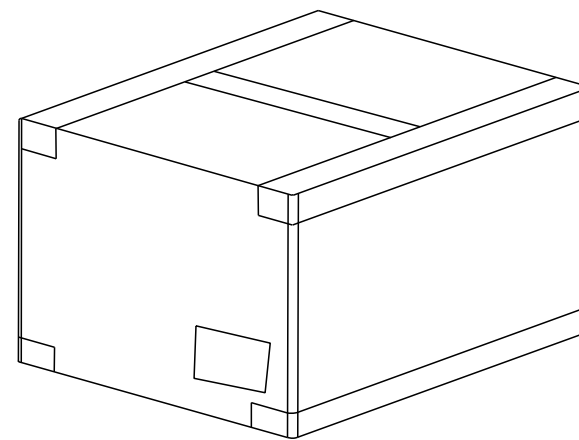
2271183-X



PLASTIC BAG



CARTON



NOTE:
1. PACKAGING QUANTITY: SEE TABLE.

PARTS PER BAG	BAGS PER CARTON	PARTS PER CARTON
500 PCS	8	4000 PCS

THIS DRAWING IS A CONTROLLED DOCUMENT.

DWN 18DEC2013

CHK SHI MING

18DEC2013

APVD XU XIANG

18DEC2013

PRODUCT SPEC

APPLICATION SPEC

WEIGHT

CUSTOMER DRAWING



TE Connectivity

NAME
2 PINS WIRE TO WIRE CONNECTOR RECEPTACLE

SIZE CAGE CODE DRAWING NO RESTRICTED TO

A300779C-2271183

SCALE 4:1 SHEET 3 OF 3 REV A5

DIMENSIONS:
mm



TOLERANCES UNLESS OTHERWISE SPECIFIED:

- 0 PLC ±
- 1 PLC ±10.0
- 2 PLC ±5.0
- 3 PLC ±
- 4 PLC ±
- ANGLES ±5°

MATERIAL

FINISH

-

-