

4

3

2

1

THIS DRAWING IS UNPUBLISHED.

RELEASED FOR PUBLICATION

20

© COPYRIGHT 20

ALL RIGHTS RESERVED.

LOC

DIST

REVISIONS

P	LTR	DESCRIPTION	DATE	DWN	APVD
	A1	RELEASE	30MAY2014	M.S	X.X
	A2	UDPATE PACKAGING INFORMATION	25JUN2014	M.S	X.X
	A3	NOTE 5, 6	05DEC2014	M.S	X.X
	A4	ADD NEW PN	14OCT2015	M.S	X.X

25.20

10.95

SCALE 4:1

7.00

Ø 4.50±0.20 (2X)

PART NUMBER	PART COLOR
2271180-1	ORANGE
2271180-2	BLACK
2271180-3	WHITE (NATURAL)

DIMENSIONS:		TOLERANCES UNLESS OTHERWISE SPECIFIED:	
mm		± 0.5	
	0-PLC	±	
	1-PLC	±	
	2-PLC	±	
	3-PLC	±	
	4-PLC	±	
	ANGLES	± 5°	
MATERIAL	FINISH		

DWN	18DEC2013		PLUG 2 PIN WIRE TO WIRE CONNECTOR
CHK	SHI MING		
	XU XIANG		
APVD	18DEC2013	NAME	
	XU XIANG	PRODUCT SPEC	108-137020
		APPLICATION SPEC	114-137020
WEIGHT	1.74g	SIZE	A300779
		CAGE CODE	C-2271180
		DRAWING NO	
		RESTRICTED TO	-
CUSTOMER DRAWING		SCALE	4:1
		SHEET	1 OF 3
		REV	A4

NOTES:

1. TE PART NUMBER: SEE TABLE.

2. MATERIAL: COPPER ALLOY.

3. HOUSING: NYLON, UL 94-V0. COLOR: ORANGE.

4. FINISH: TERMINAL: TIN PLATING OVERALL.

5. APPLICABLE MATING RECEPTACLE: 2271183 SERIES.

6. APPLICABLE WIRE: AWG18-22 SOLID OR TIN DIPPED STRANDED. (16 STRANDS MAX. FOR 18 AWG, 7 STRANDS MAX FOR 20-22 AWG. SEE RELATED APPLICATION SPECIFICATION AND PRODUCT SPECIFICATION)

7. STRIP LENGTH: 9.5±0.80mm.

8. PRODUCT COMPLIES TO UL 2459 REQUIREMENT AND QUALIFIED: ZMNA.E308110 ; ZMNA7.E308110

1470-19 (3/11)

4

3

2

1

THIS DRAWING IS UNPUBLISHED.

RELEASED FOR PUBLICATION

20

© COPYRIGHT 20

ALL RIGHTS RESERVED.

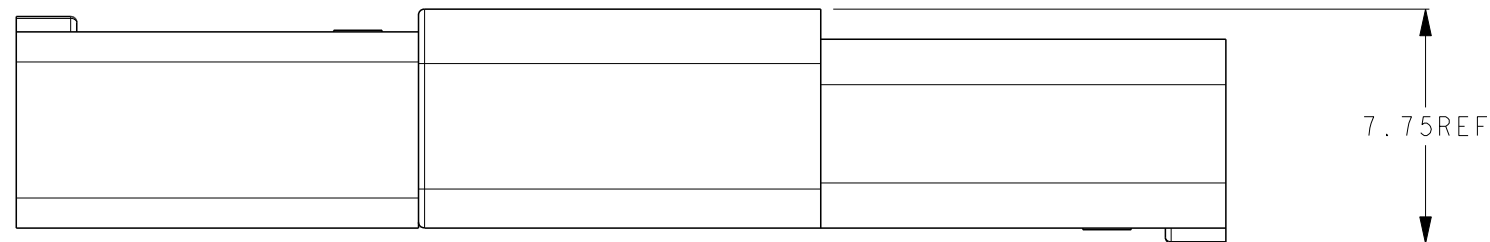
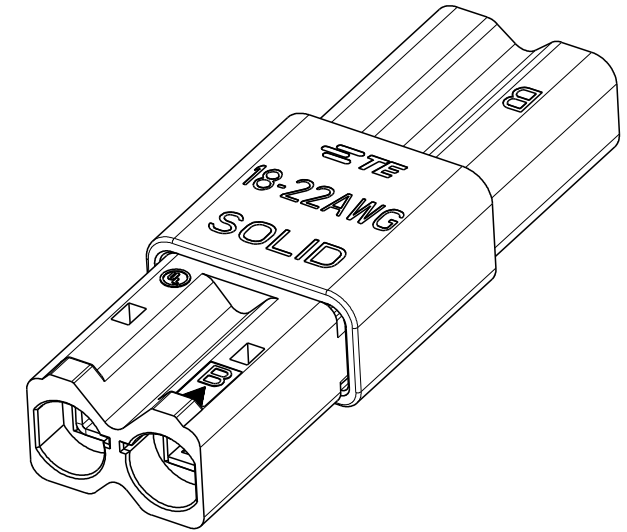
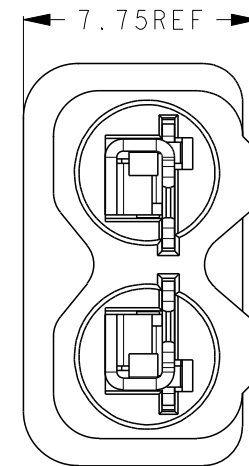
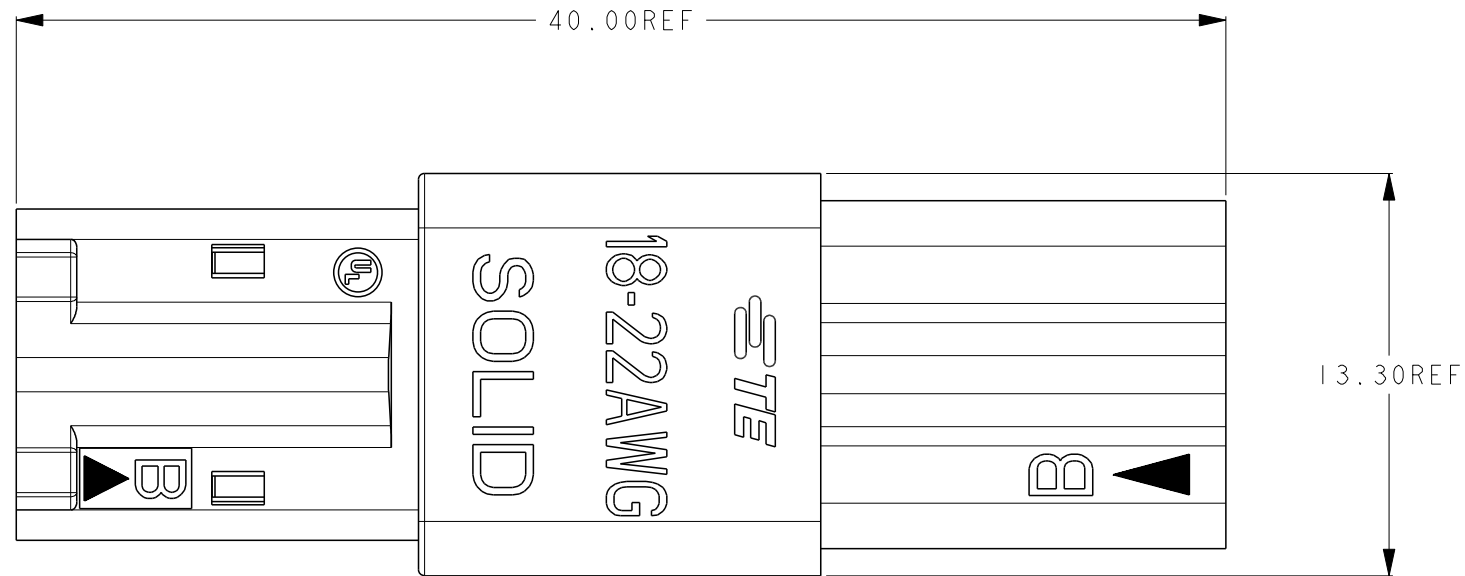
LOC
ES


DIST

REVISIONS

P	LTR	DESCRIPTION	DATE	DWN	APVD

MATED WITH RECEPTACLE



THIS DRAWING IS A CONTROLLED DOCUMENT.		DWN	SHI MING		 TE Connectivity
		CHK	XU XIANG		
DIMENSIONS: mm		APVD	XU XIANG		NAME
TOLERANCES UNLESS OTHERWISE SPECIFIED: ± 0.50		PRODUCT SPEC	-		PLUG
0-PLC \pm 1-PLC \pm 2-PLC \pm 3-PLC \pm 4-PLC \pm ANGLES $\pm 5^\circ$		APPLICATION SPEC	-		2 PIN WIRE TO WIRE CONNECTOR
MATERIAL		WEIGHT	-		SIZE
FINISH		CUSTOMER DRAWING		SCALE	4:1
		A300779		DRAWING NO	C-2271180
				SHEET	2 OF 3
				REV	A4
				RESTRICTED TO	-

D

C

B

A

4

3

2

1

THIS DRAWING IS UNPUBLISHED.

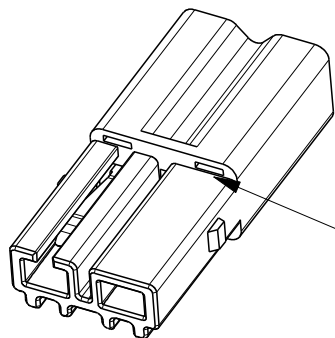
RELEASED FOR PUBLICATION

20

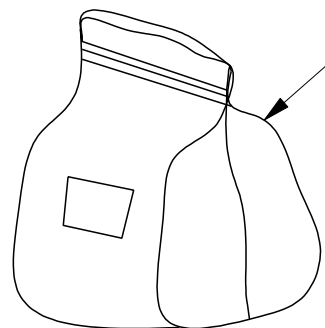
© COPYRIGHT 20

ALL RIGHTS RESERVED.

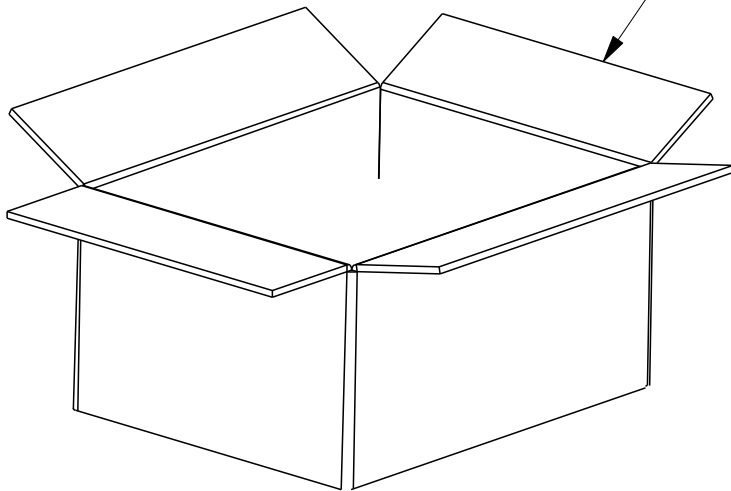
LOC	DIST	REVISIONS					
		P	LTR	DESCRIPTION	DATE	DWN	APVD
ES							



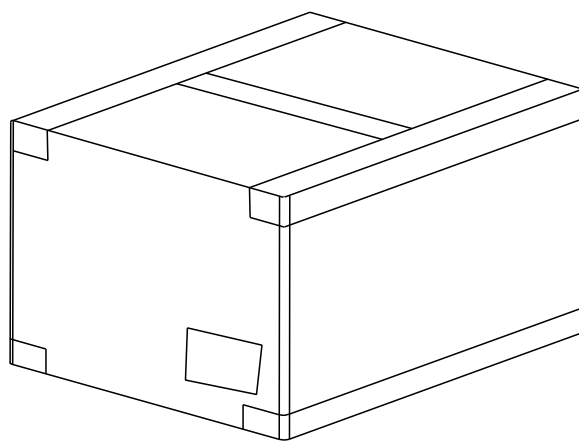
2271180-X



PLASTIC BAG





CARTON



NOTE:
1. PACKAGING QUANTITY: SEE TABLE.

PARTS PER BAG	BAGS PER CARTON	PARTS PER CARTON
500 PCS	8	4000 PCS

THIS DRAWING IS A CONTROLLED DOCUMENT.		DWN	18DEC2013	 TE Connectivity
		CHK	18DEC2013	
		APVD	18DEC2013	
DIMENSIONS: mm 		TOLERANCES UNLESS OTHERWISE SPECIFIED: 0 PLC ± 1 PLC ±10 2 PLC ±5.0 3 PLC ± 4 PLC ± ANGLES ±5°		NAME PLUG 2 PIN WIRE TO WIRE CONNECTOR
MATERIAL		FINISH		PRODUCT SPEC - APPLICATION SPEC - WEIGHT -
		SIZE A300779		CAGE CODE C-2271180
		DRAWING NO C-2271180		RESTRICTED TO -
		CUSTOMER DRAWING		SCALE 4:1 SHEET 3 OF 3 REV A4

D

C

B

A