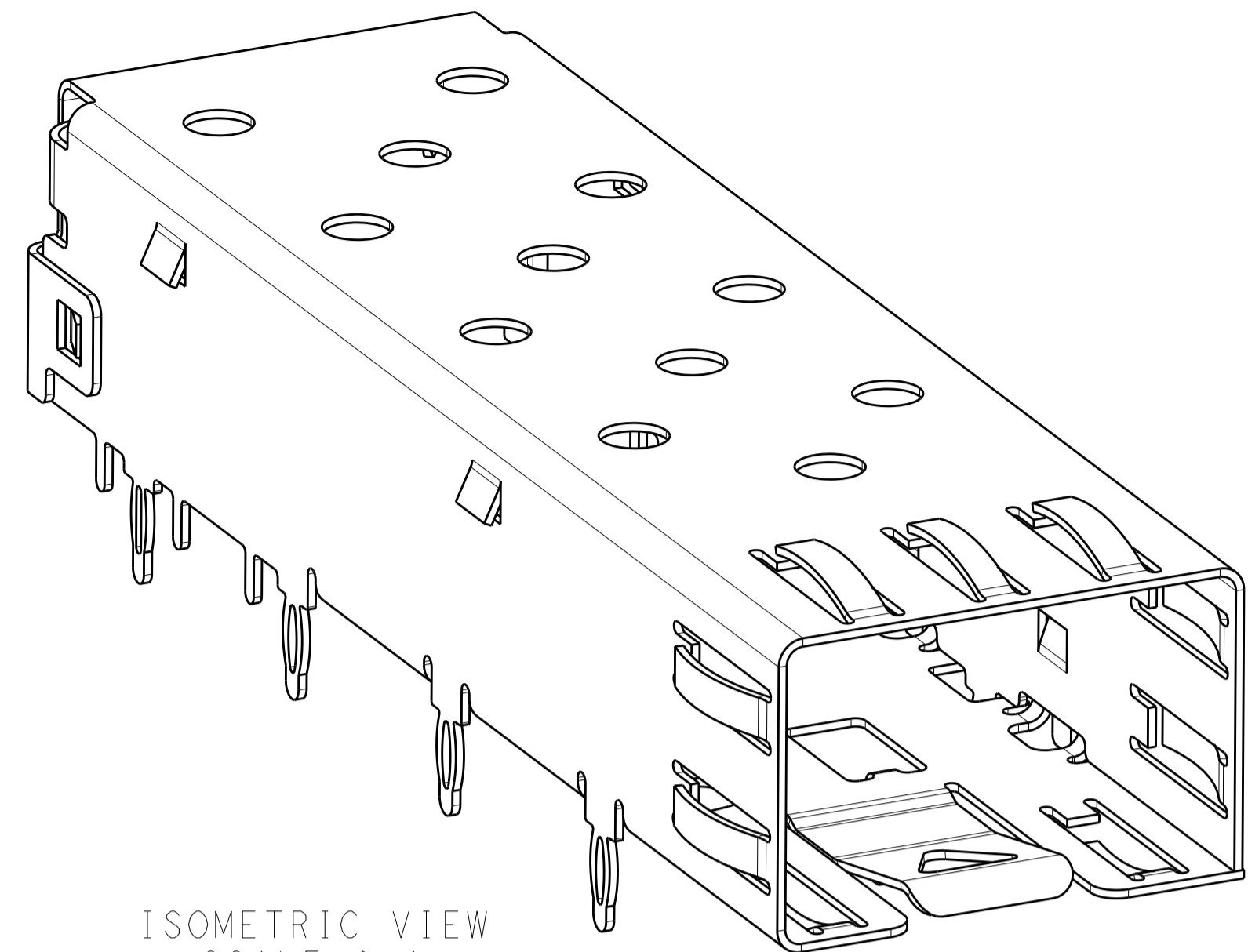
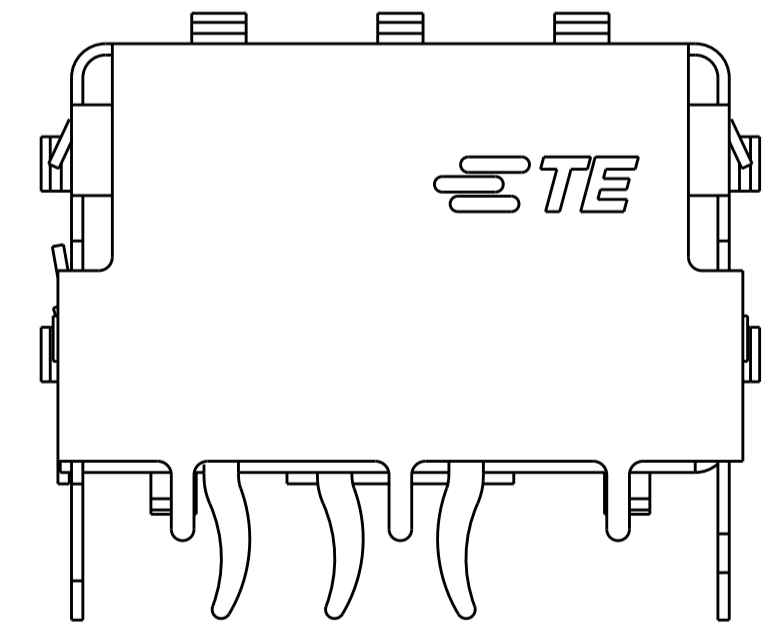
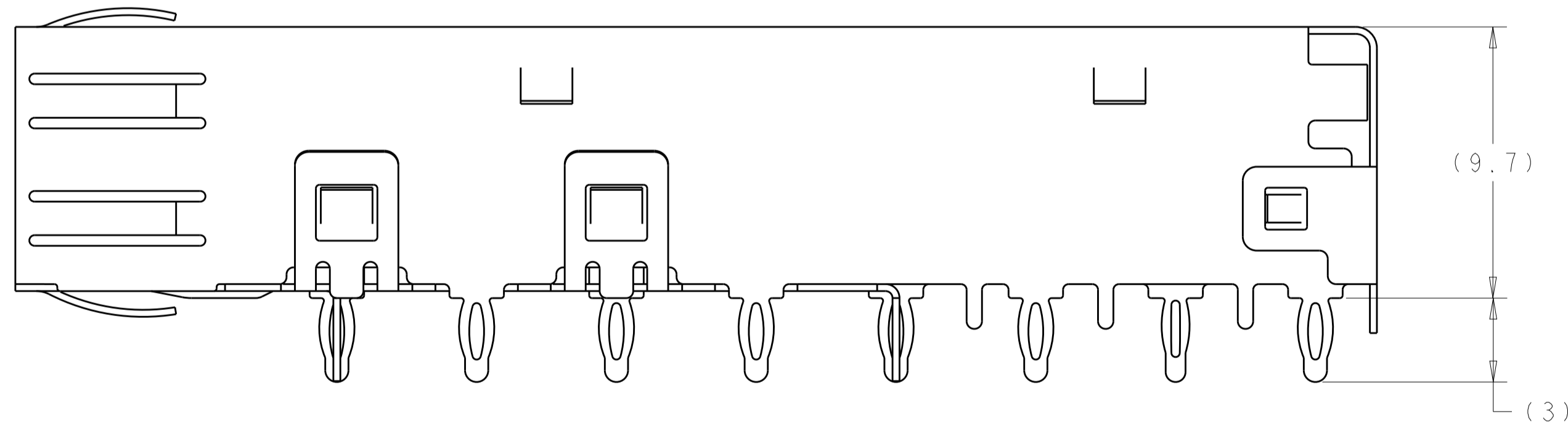
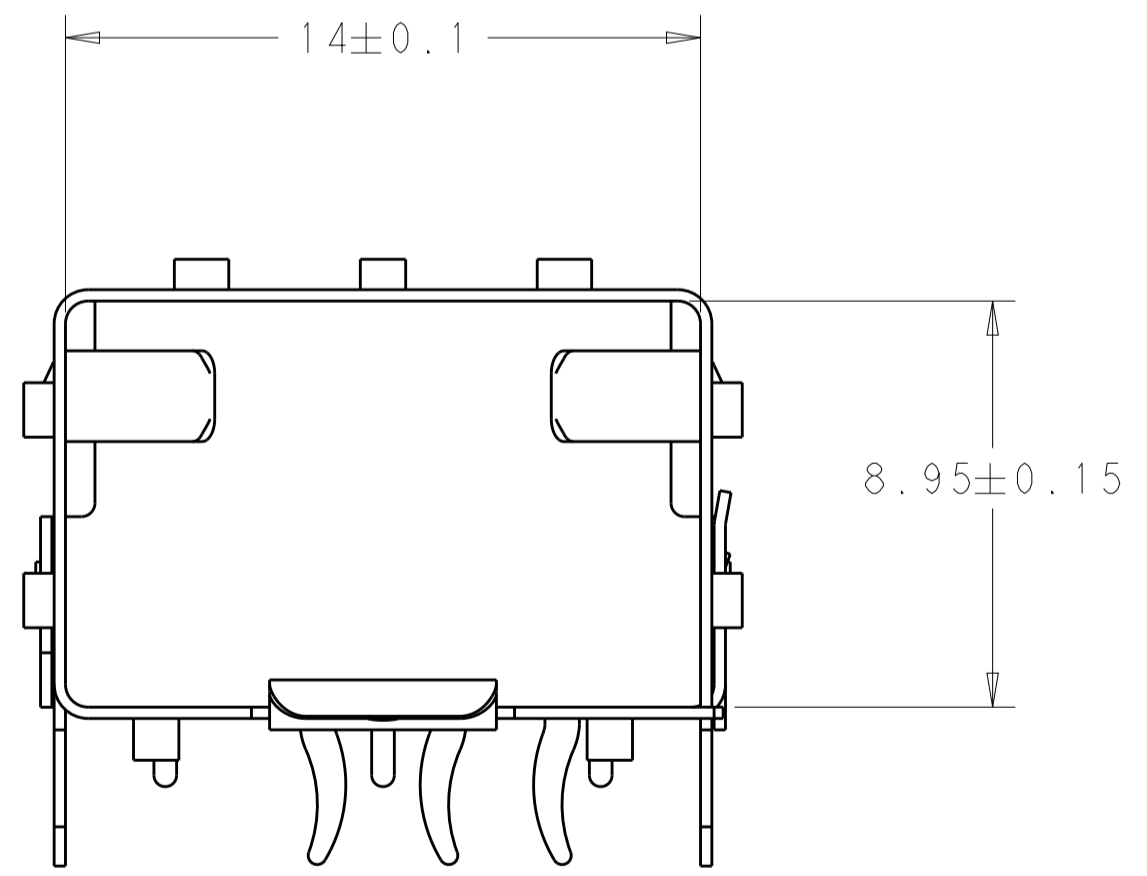
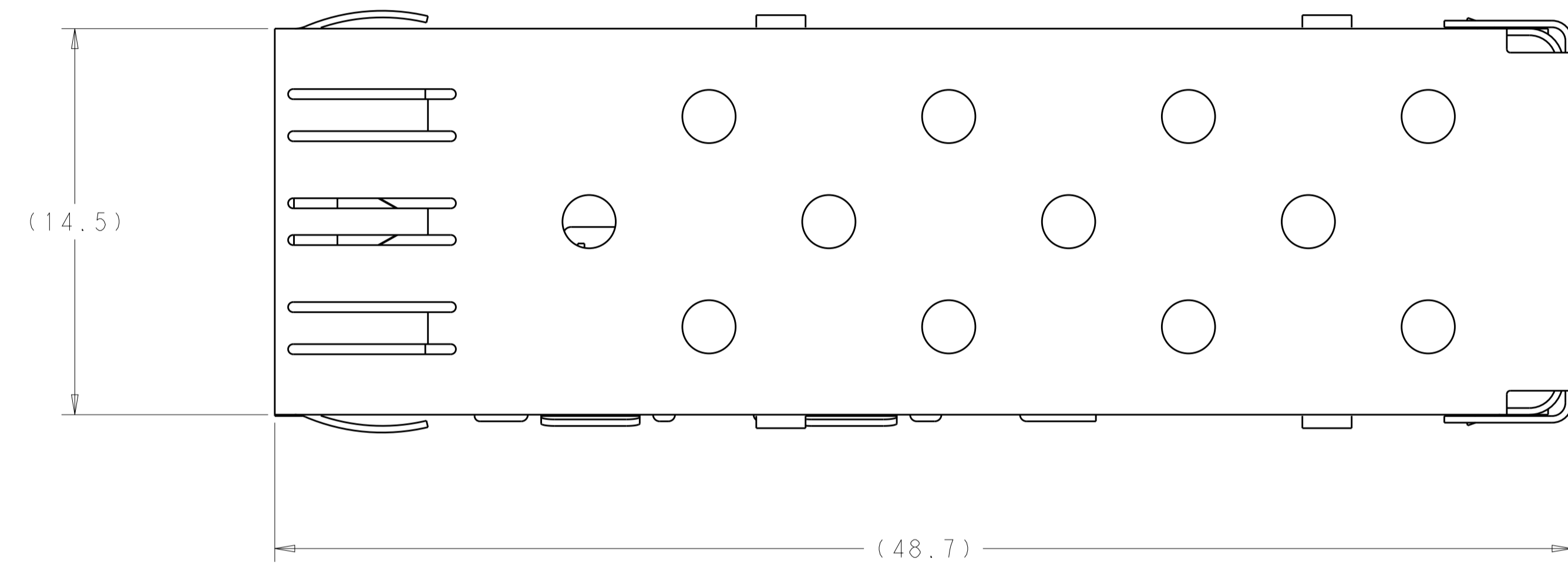


LOC	DIST	REVISIONS					
		P	LTN	DESCRIPTION	DATE	DWN	APVD
GP	00	A		INITIAL RELEASE	20MAY2014	JW	SH
		A1		REVISED PER ECO-15-000822	19JAN2015	JW	SH



ISOMETRIC VIEW
SCALE: 6:1

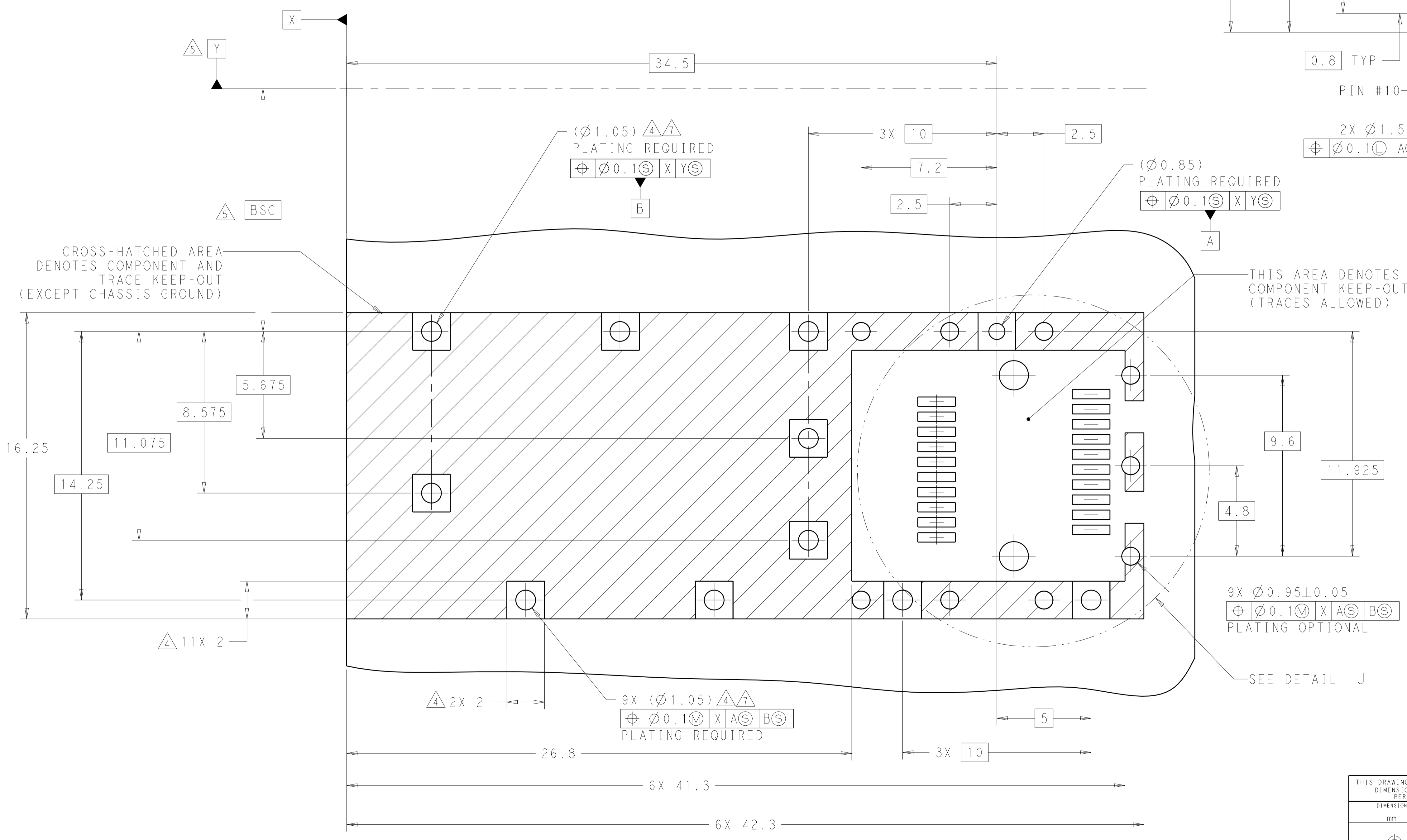
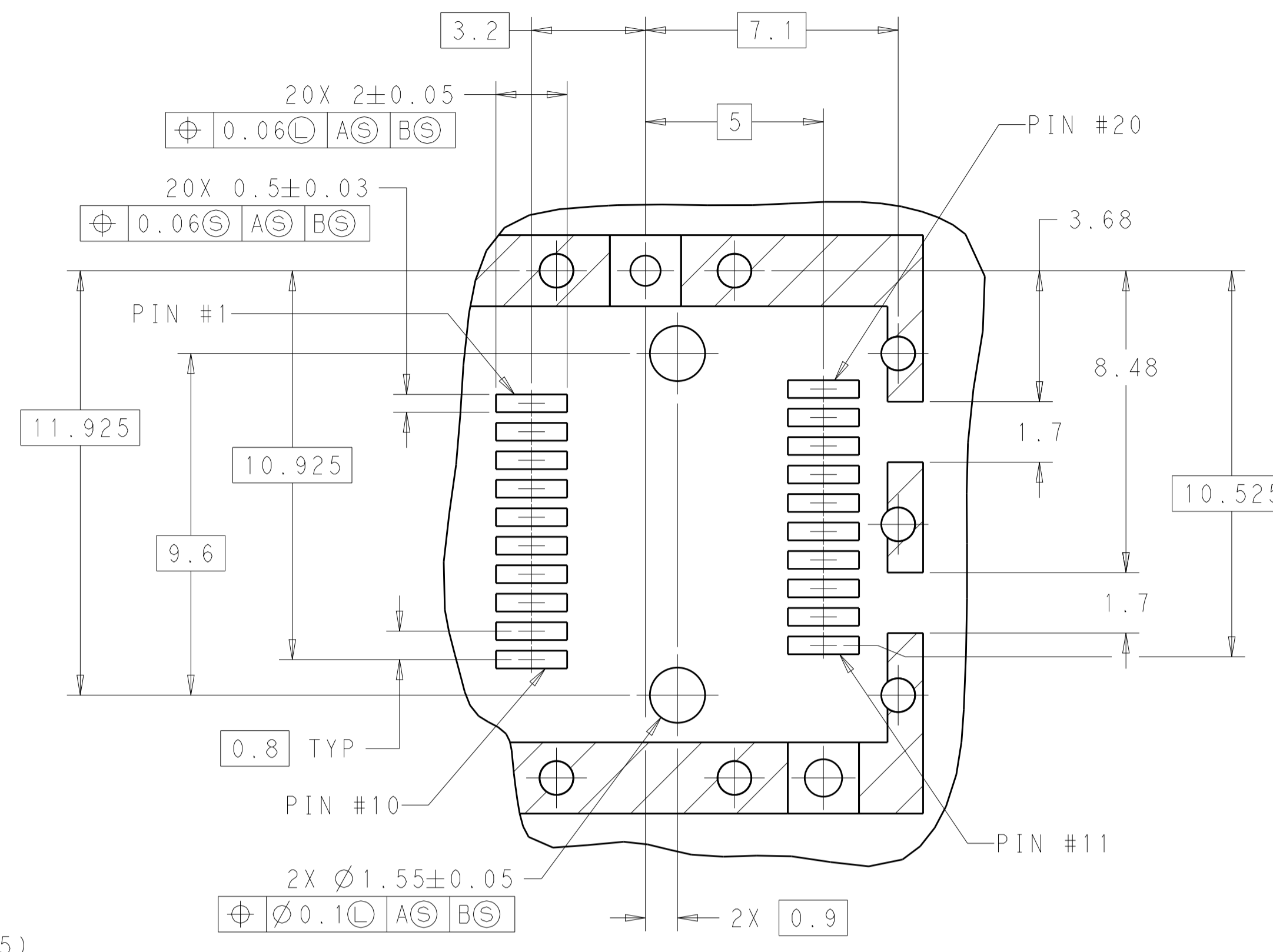
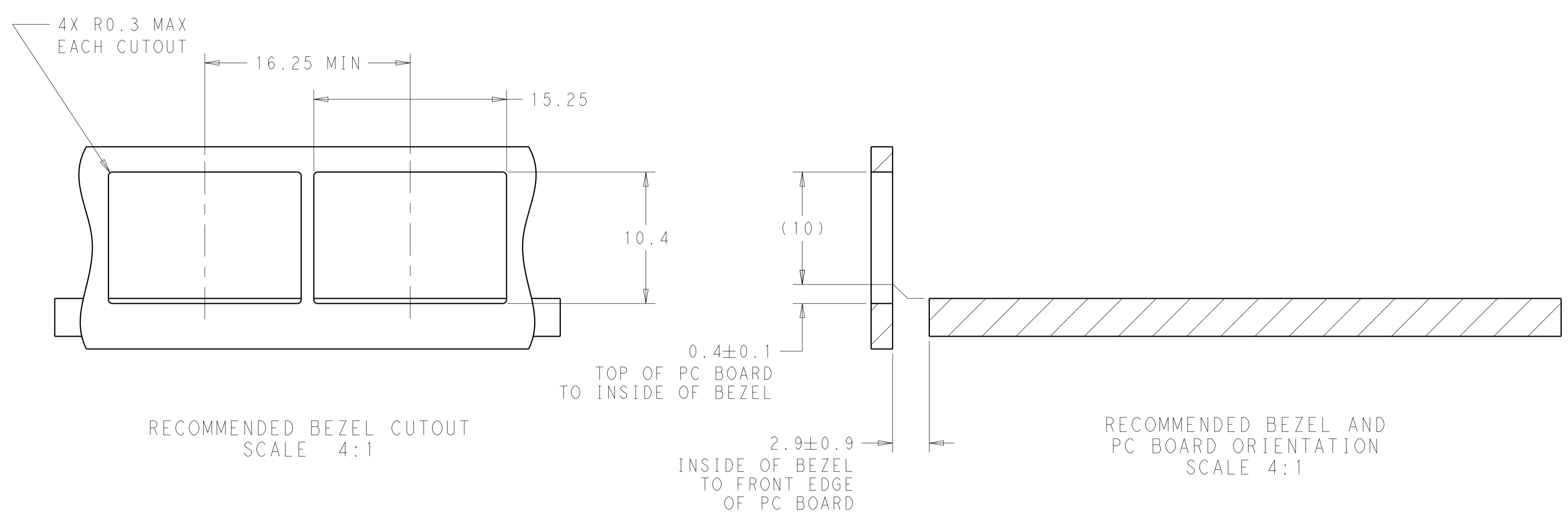
- 1. MATERIAL: 0.25mm THICK STAINLESS STEEL.
- 2. FINISH: 0.00125mm NICKEL OVER ALL, NON-PLATED EDGES PERMISSIBLE.
- 3. MATES WITH SFP MSA COMPLIANT TRANSCEIVERS.
- 4. PADS AND VIAS CHASSIS GROUND.
- 5. DATUM AND BASIC DIMENSION ESTABLISHED BY CUSTOMER.
- 6. MINIMUM PC BOARD THICKNESS:
 SINGLE SIDED = 1.50 mm
 DOUBLE SIDED = 3.00 mm
- 7. REFERENCE APPLICATION SPEC. 114-13120, HOLE A, FOR RECOMMENDED DRILL HOLE DIAMETER AND PLATING THICKNESS(EXCEPT IMMERSION SILVER PLATING).
- 8. REFERENCE APPLICATION SPEC. 114-13120, HOLE C, FOR RECOMMENDED DRILL HOLE DIAMETER AND PLATING THICKNESS(EXCEPT IMMERSION SILVER PLATING).
- 9. THE RECOMMENDED DIMENSIONS FOR HOLES ON PAGE 2/2 ARE NOT COMPATIBLE WITH IMMERSION SILVER PLATING HOLES BECAUSE OF OVERLARGE INSERTION FORCE.
- 10. ESD PROTECTION PACKAGE.



2227302-3
 2227302-1
 PART NUMBER

THIS DRAWING IS A CONTROLLED DOCUMENT. DIMENSIONING AND TOLERANCING PER ASME Y14.5M-2009		DWN C. VALENTINE 07NOV2012	TE Connectivity NAME SFP, 1X1 SINGLE PIECE CAGE, 11 PRESS FIT
DIMENSIONS: mm		CHK M. SCHMITT 07NOV2012	
TOLERANCES UNLESS OTHERWISE SPECIFIED:		APVD M. SCHMITT 07NOV2012	PRODUCT SPEC
0 PLC	±0.1	108-1950	APPLICATION SPEC
1 PLC	±0.1	114-13120	SIZE
2 PLC	±0.1	100779	CAGE CODE
3 PLC	±0.1	2227302	DRAWING NO
4 PLC	±0.1		RESTRICTED TO
ANGLES	±°		
MATERIAL		WEIGHT	
FINISH		Customer Drawing	SCALE 6:1 SHEET 1 OF 2 REV A1

LOC	DIST	REV	DESCRIPTION	DATE	DWN	APVD
GP	00		SEE SHEET 1			



DETAIL J
SCALE 8:1

THIS DRAWING IS A CONTROLLED DOCUMENT. DIMENSIONING AND TOLERANCING PER ASME Y14.5M-2009		DWN: C. VALENTINE 07NOV2012 CHK: M. SCHMITT 07NOV2012 APVD: M. SCHMITT 07NOV2012	TE Connectivity SFP, 1X1 SINGLE PIECE CAGE, 11 PRESS FIT
DIMENSIONS: mm		PRODUCT SPEC: 108-1950 APPLICATION SPEC: 114-13120 WEIGHT: - Customer Drawing	
TOLERANCES UNLESS OTHERWISE SPECIFIED: 0 PLC ±0.1 1 PLC ±0.1 2 PLC ±0.1 3 PLC ±0.1 4 PLC ±0.1 ANGLES ±°		NAME: SFP, 1X1 SINGLE PIECE CAGE, 11 PRESS FIT SIZE: A1 CAGE CODE: 00779 DRAWING NO: C=2227302 SCALE: 1:1 SHEET: 2 OF 2 REV: A1	RESTRICTED TO