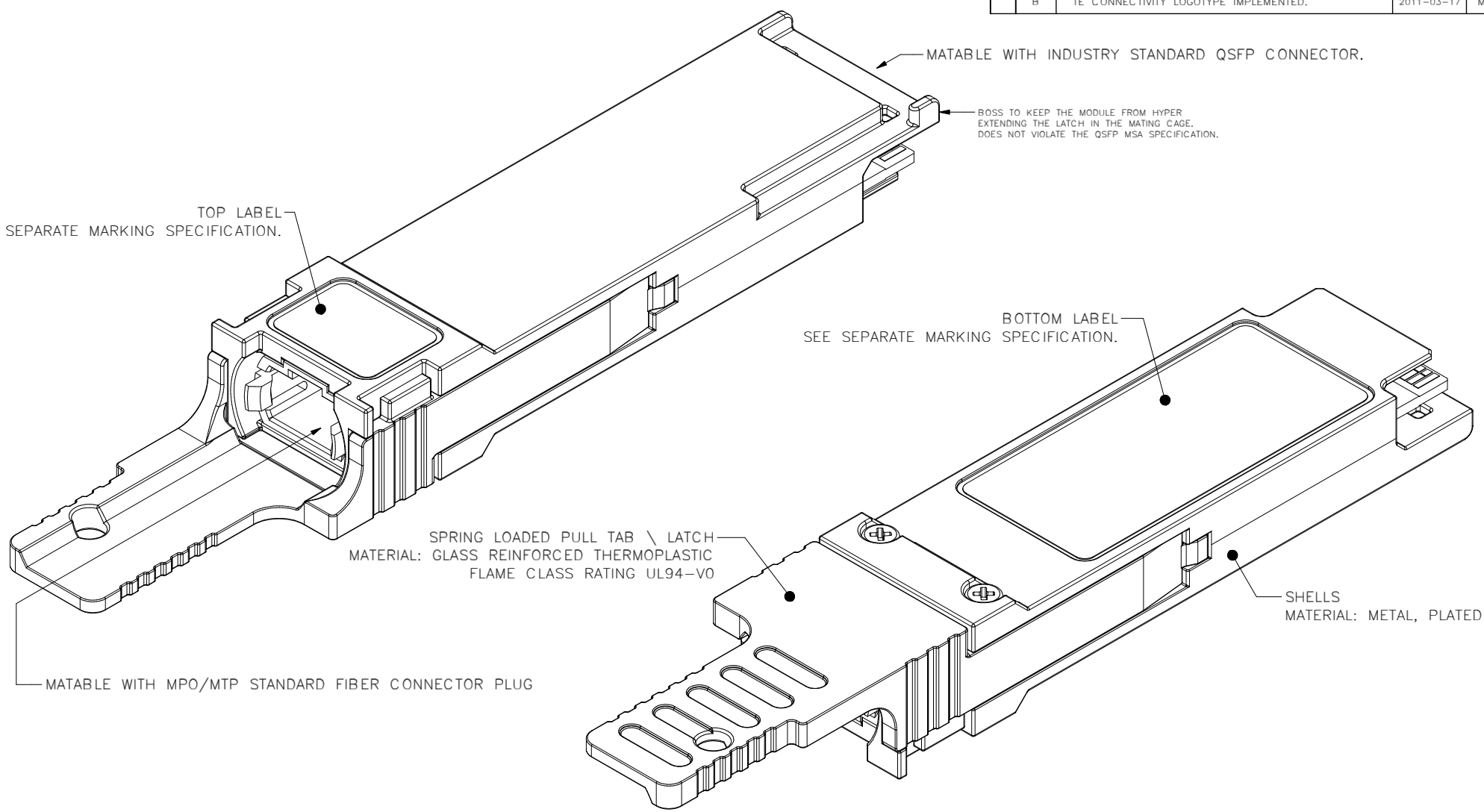


THIS DRAWING IS UNPUBLISHED.
 RELEASED FOR PUBLICATION 2010-12-09
 © COPYRIGHT 2010 BY TYCO ELECTRONICS CORPORATION. ALL INTERNATIONAL RIGHTS RESERVED.

LOC	DIST	REVISIONS					
IZ	00	P	LTR	DESCRIPTION	DATE	DWN	APVD
		B		TE CONNECTIVITY LOGOTYPE IMPLEMENTED.	2011-03-17	M.A	B.K



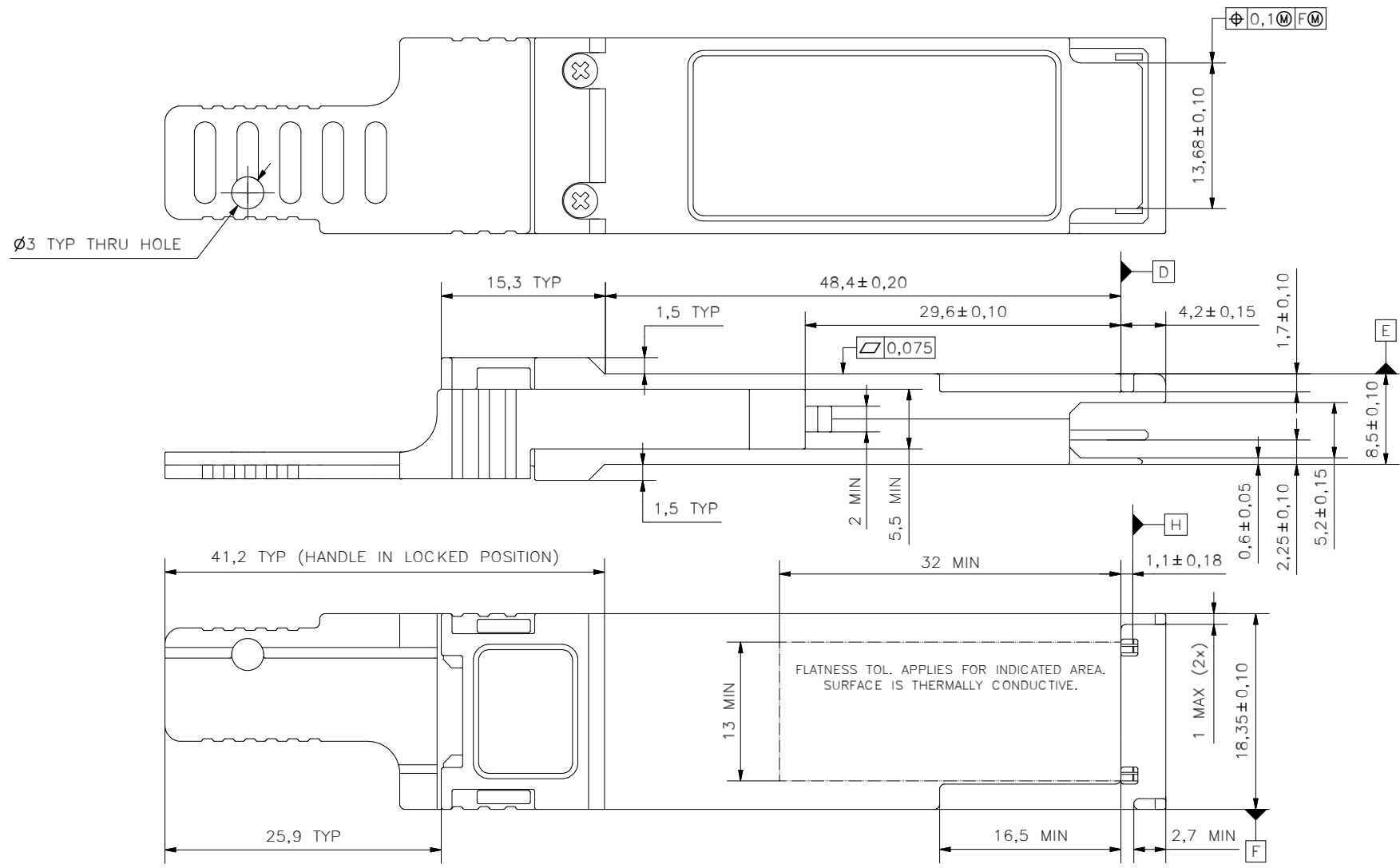
BELOW IS A LISTING OF THE DATUMS REFERENCED TO IN THIS DOCUMENT.

DATUM	DESCRIPTION
D	HARD STOP ON MODULE
E	WIDTH OF MODULE
F	HEIGHT OF MODULE HOUSING
G	WIDTH OF MODULE PCB
H	LEADING EDGE OF SIGNAL CONTACT PADS ON MODULE PCB
J	TOP SURFACE OF MODULE PCB

THIS DRAWING IS A CONTROLLED DOCUMENT.		DWN	2010-12-09	 Tyco Electronics Svenska Holdings AB SE-175 26 Järfälla, Sweden a TE Connectivity Ltd company
		M.ANDERSSON		
		CHK	2010-12-09	
		D.NIDELIUS		
		APVD	2010-12-09	NAME
		B.KRONLUND		2156043-1 QSFP+
		PRODUCT SPEC		PARALLEL FIBER OPTIC TRANSCEIVER
		2156043-1		(4x4) x 10 Gbps
		APPLICATION SPEC		SIZE
				A3
		MATERIAL	FINISH / COLOR	CAGE CODE
		WEIGHT		DRAWING NO
				C-2156043
		CUSTOMER DRAWING		RESTRICTED TO
		SCALE	3:1	
		SHEET	1 of 3	REV
				B

THIS DRAWING IS UNPUBLISHED.
 RELEASED FOR PUBLICATION 2010-12-09
 © COPYRIGHT 2010 BY TYCO ELECTRONICS CORPORATION. ALL INTERNATIONAL RIGHTS RESERVED.

LOC	DIST	REVISIONS					
IZ	00	P	LTR	DESCRIPTION	DATE	DWN	APVD
		-		SEE PAGE 1	-	-	-

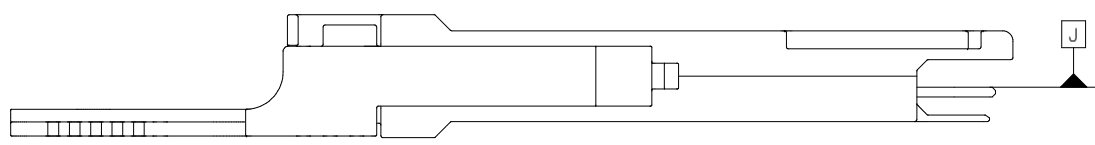


THIS DRAWING IS A CONTROLLED DOCUMENT.		DWN	2010-12-09	 Tyco Electronics Svenska Holdings AB SE-175 26 Järfälla, Sweden a TE Connectivity Ltd company											
DIMENSIONS:		CHK	2010-12-09												
TOLERANCES UNLESS OTHERWISE SPECIFIED:		APVD	2010-12-09												
<table border="0"> <tr><td>0 PLC</td><td>±</td></tr> <tr><td>1 PLC</td><td>±</td></tr> <tr><td>2 PLC</td><td>±</td></tr> <tr><td>3 PLC</td><td>±</td></tr> <tr><td>4 PLC</td><td>±</td></tr> <tr><td>ANGLES</td><td>±</td></tr> </table>		0 PLC	±		1 PLC	±	2 PLC	±	3 PLC	±	4 PLC	±	ANGLES	±	NAME B. KRONLUND
0 PLC	±														
1 PLC	±														
2 PLC	±														
3 PLC	±														
4 PLC	±														
ANGLES	±														
		PRODUCT SPEC 2156043-1		APPLICATION SPEC											
MATERIAL		FINISH / COLOR		WEIGHT A3											
SIZE A3		CAGE CODE C-2156043		DRAWING NO 2156043-1 QSFP+ PARALLEL FIBER OPTIC TRANSCEIVER (4x4) x 10 Gbps											
CUSTOMER DRAWING		SCALE 2,5:1		SHEET 2 of 3											
				RESTRICTED TO REV B											

THIS DRAWING IS UNPUBLISHED. RELEASED FOR PUBLICATION 2010-12-09
 © COPYRIGHT 2010 BY TYCO ELECTRONICS CORPORATION. ALL INTERNATIONAL RIGHTS RESERVED.

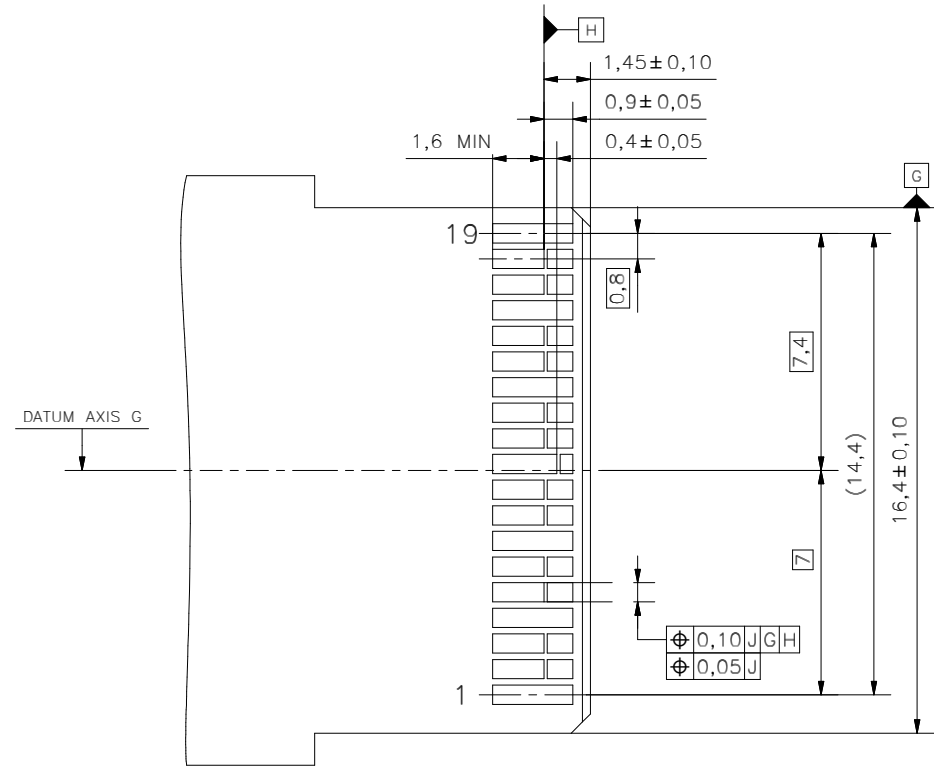
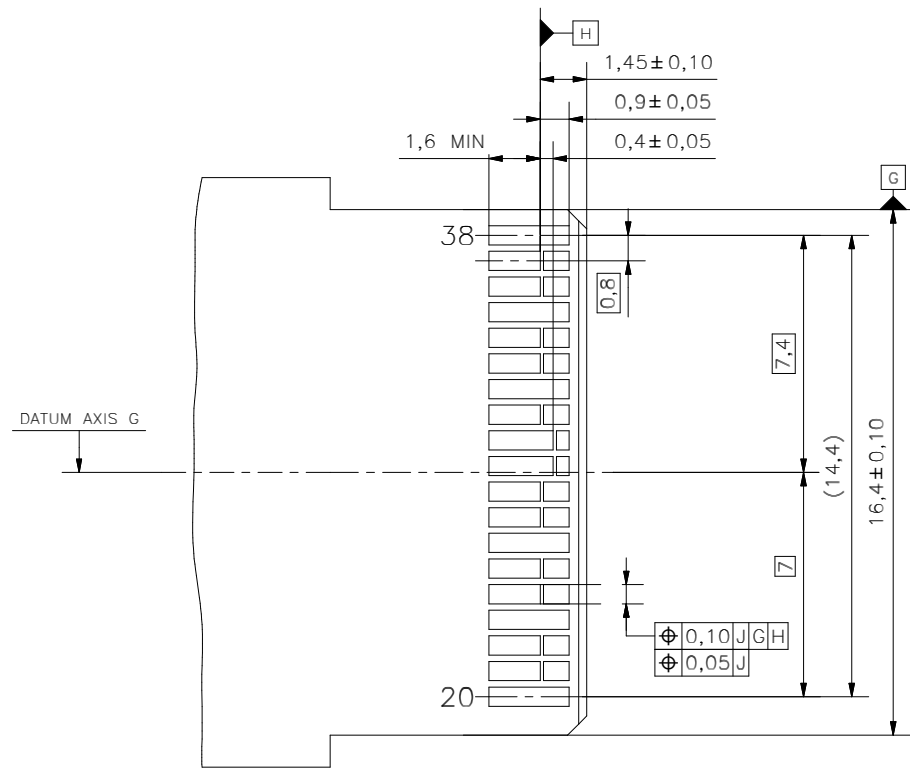
LOC	DIST	REVISIONS					
IZ	00	P	LTR	DESCRIPTION	DATE	DWN	APVD
		-		SEE PAGE 1	-	-	-

SIDE VIEW OF MODULE (2:1)



TOP VIEW OF MODULE PCB

BOTTOM VIEW OF MODULE PCB



THIS DRAWING IS A CONTROLLED DOCUMENT.		DWN M.ANDERSSON 2010-12-09	TE Tyco Electronics Svenska Holdings AB SE-175 26 Järfälla, Sweden a TE Connectivity Ltd company												
DIMENSIONS:		CHK D.NIDELIUS 2010-12-09													
TOLERANCES UNLESS OTHERWISE SPECIFIED:		APVD B.KRONLUND 2010-12-09	NAME 2156043-1 QSFP+ PARALLEL FIBER OPTIC TRANSCEIVER (4x4) x 10 Gbps												
<table border="1"> <tr><td>0 PLC</td><td>±</td></tr> <tr><td>1 PLC</td><td>±</td></tr> <tr><td>2 PLC</td><td>±</td></tr> <tr><td>3 PLC</td><td>±</td></tr> <tr><td>4 PLC</td><td>±</td></tr> <tr><td>ANGLES</td><td>±</td></tr> </table>		0 PLC	±	1 PLC	±	2 PLC	±	3 PLC	±	4 PLC	±	ANGLES	±	PRODUCT SPEC 2156043-1	RESTRICTED TO
0 PLC	±														
1 PLC	±														
2 PLC	±														
3 PLC	±														
4 PLC	±														
ANGLES	±														
MATERIAL		APPLICATION SPEC	SIZE A3												
FINISH / COLOR		WEIGHT	CAGE CODE												
		CUSTOMER DRAWING	DRAWING NO C-2156043												
		SCALE 5:1	SHEET 3 of 3												
			REV B												