

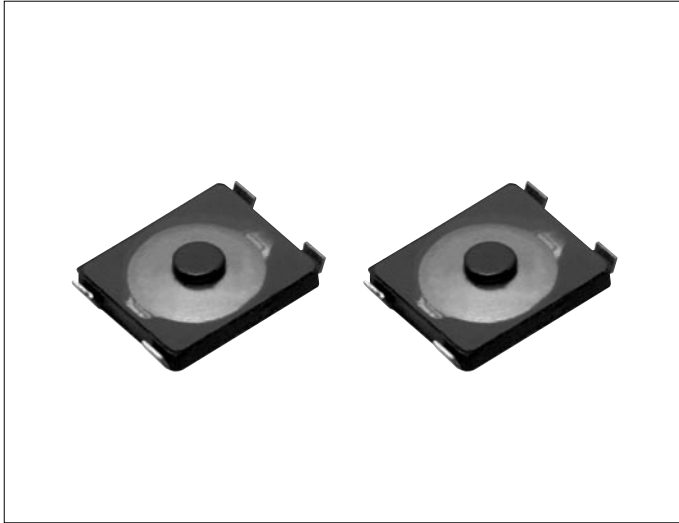
*Using breakthrough technology,
we aim for products that will create new markets.*

New Product News

Wide range of products

*Note 1

The industry's smallest level switch with actuator



• Development Target:

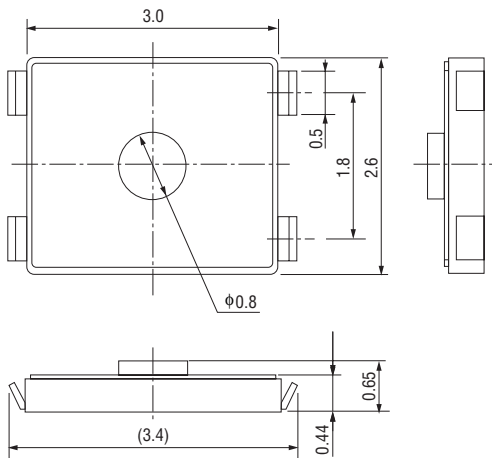
Development of an operation switch equipped with an actuator (push plate) that meets the need for smaller and thinner operation switches for portable equipment and provides high operability

• Features:

- ① The industry's smallest level footprint
External dimensions: 3.0 mm long × 2.6 mm wide
- ② The industry's thinnest size (actuator type)
Height: 0.65 mm
- ③ High operability
Equipped with an actuator (push plate)

*Note 1: As of November, 2006

• Construction:



• Characteristics/specifications:

Item	Specifications
Rating	20 mA 15 V dc to 10 μA 2 V dc
Contact Resistance	500 mΩ max.
Insulation Resistance	50 MΩ min.
Dielectric Withstanding Voltage	250 V ac (1 minute)
Bouncing	10 ms max.
Operating Life (Operating Force)	100000 cycles min. (1.6 N)
Travel	0.15 mm
Operation Temperature	-40 °C to +85 °C

• Applications/usage examples:

- Operation switches for mobile phone units, headsets, and other portable electronic equipment

• Explanation of part numbers:

1	2	3	4	5	6	7	8	9
E	V	P	A	F				
Product code			Type		Design No.			