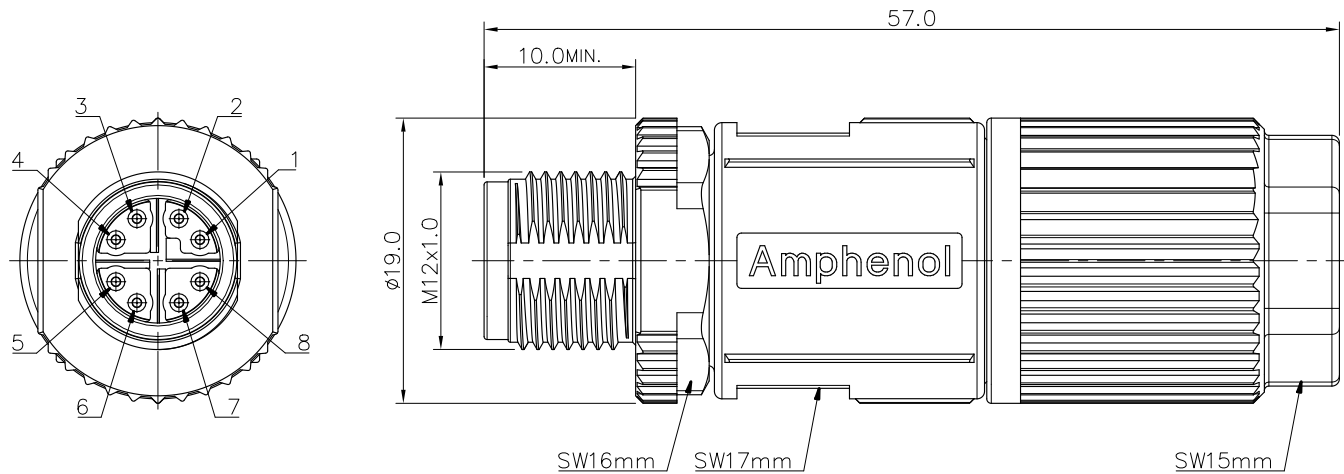
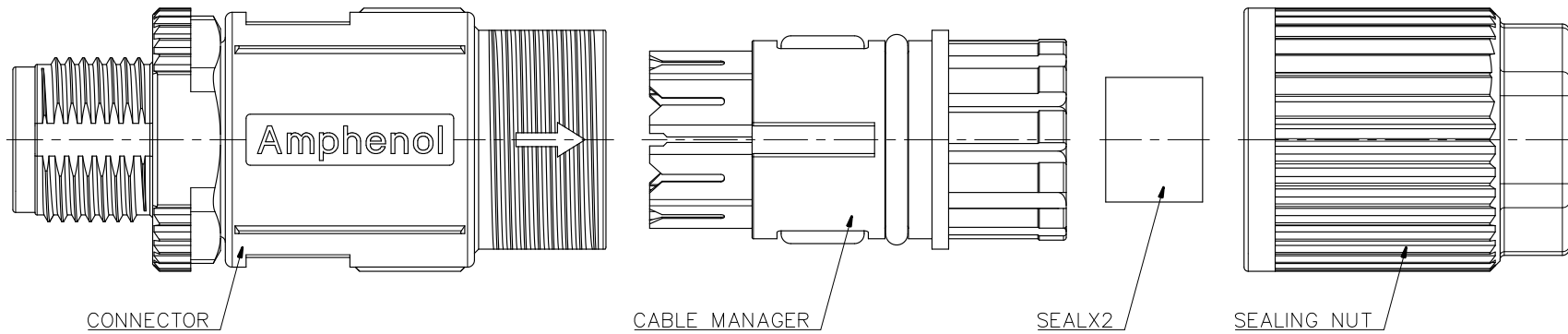


REV. A	DESCRIPTION NEW RELEASE
-----------	----------------------------

THIS DOCUMENT IS SUBJECT TO CHANGE WITHOUT NOTICE. IT IS CONFIDENTIAL AND A PROPERTY OF Amphenol LTW. DISCLOSURE TO THIRD PARTY HAS TO BE AUTHORIZED BY Amphenol LTW.



- * MATERIAL:
Male Pin: Copper Alloy, Gold Plated.
Connector: Thermoplastic, Black.
Shell & Shield: Matal.
O-Ring: Silicon.
- * Waterproof Rate: IP68.
- * Applicable Cable OD: 5.0mm~9.0mm.
- * Applicable Wire Gauge: 22AWG~26AWG.
- * Rated Voltage: 50V/AC, 60V/DC.
- * Rated Current: 0.5A.
- * Temperature Range: -40~85°C.
- * Packing: One Piece in a Tray.

UNIT: mm		TITLE	Amphenol LTW 安費諾亮泰企業股份有限公司		ITEM NO	DRAWN BY	DATE
		M12 X CODE FIELD INSTALLABLE IDC M CONN.			MSXS-08BMMD-SL8001	Sam Ho	2019.06.03
TOLERANCE		SCALE	SHEET	DWG NO	CHECKED BY	DATE	
.X ±0.25		2 : 1	1 OF 1	MSXS-08BMMD-SL8001	Fred Lee	2019.06.03	
.XX ±0.1		REV.	SIZE	CUSTOMER	APPROVED BY	DATE	
.XXX ±0.05		A	A4	ALTW	Fred Lee	2019.06.03	
ANGLES ±1°							