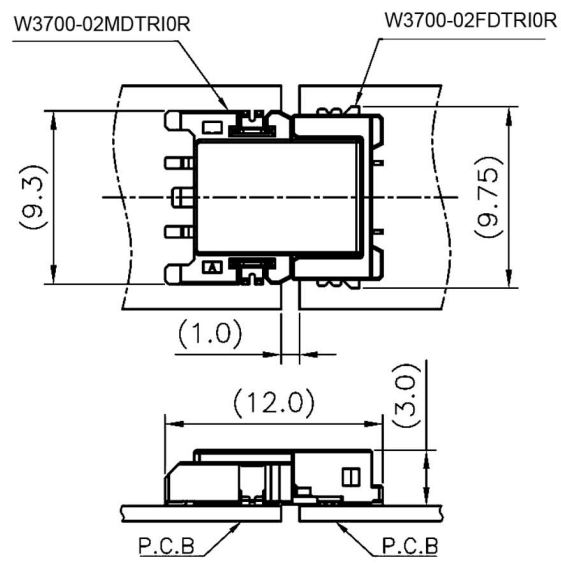
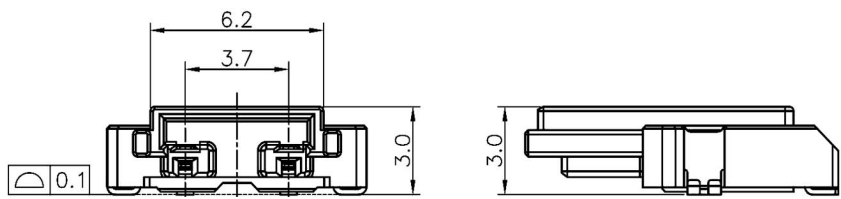
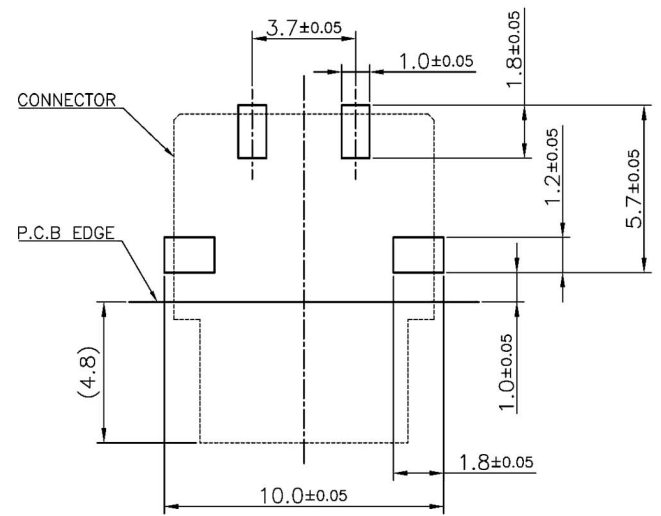


NOTES:  
 1. MATERIAL:  
 HOUSING: HIGH TEMP PLASTIC,UL94V-0 NATURE  
 2. TERMINAL&EAR: COPPER ALLOY FINISH: TIN PLATED



MATED CONNECTOR(REFERENCE)  
 SCALE 2:1



RECOMMENDED P.C.B LAYOUT

RoHS  
Compliant

**HSM** 玄茂科技股份有限公司  
 HSIUAN MAO TECHNOLOGY CO., LTD.

APPD. 核准 Betty  
 DWG. 製圖 Betty  
 DATE 制表日 2013/10/04

SCALE 比例 參考  
 UNIT 單位 MM  
 PAGE 張數 1 OF 1

TOLERANCE  
 X ± 0.40 X' ± 5.0'  
 .X ± 0.30 .X' ± 2.0'  
 .XX ± 0.20 .XX' ± 1.0'  
 .XXX ± 0.10 .XXX' ± .50'  
 SIZE 紙張尺寸 A 4  
 REV. 版次 A  
 PART NAME 品名 3.7mm WAFER 2P MALE SMT TYPE  
 TIN PLATING REEL PACKING  
 IVORY COLOR ROHS  
 PART NO. 料號 W3700-02MDTRI0R