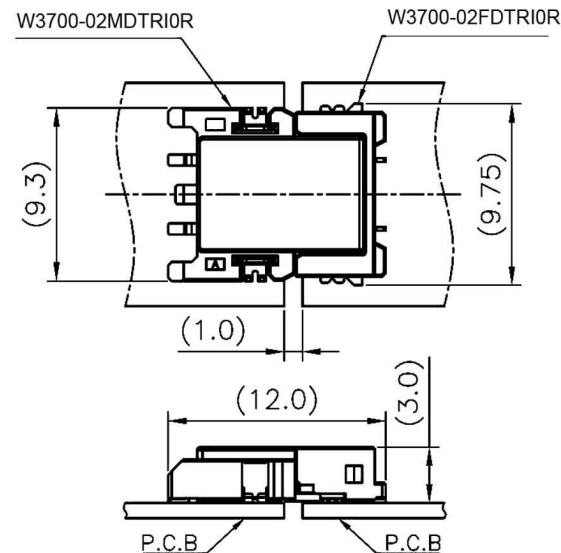
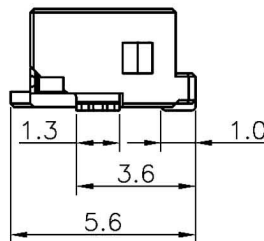
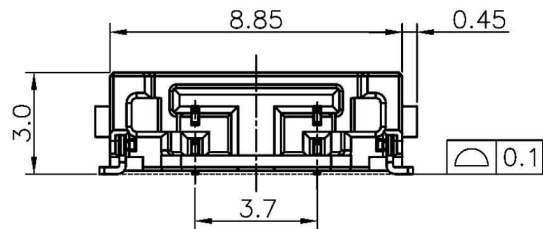


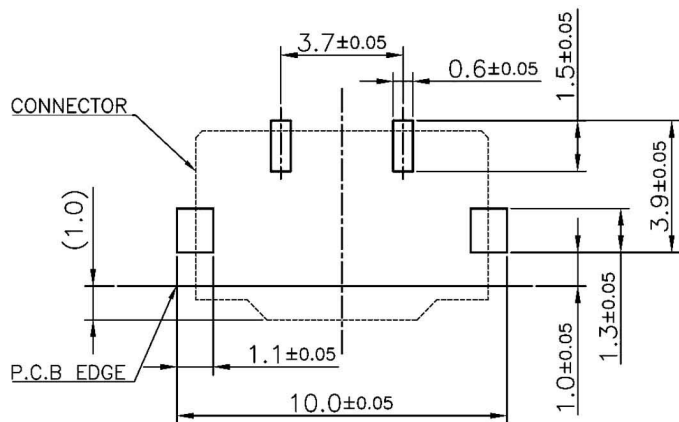
NOTES:

1. MATERIAL:  
HOUSING: HIGH TEMP PLASTIC,UL94V-0 NATURE
2. TERMINAL&EAR: COPPER ALLOY FINISH: TIN PLATED



MATED CONNECTOR(REFERENCE)

SCALE 2:1



RECOMMENDED P.C.B LAYOUT

RoHS Compliant		<b>HSM</b> 玄茂科技股份有限公司 HSUAN MAO TECHNOLOGY CO., LTD.	
APPD. 核准 Betty	SCALE 比例 參考	TOLERANCE X ± 0.40 X' ± 5.0' .X ± 0.30 .X' ± 2.0' .XX ± 0.20 .XX' ± 1.0' .XXX ± 0.10 .XXX' ± --	PART NAME 品名 3.7mm WAFER 2P FEMALE SMT TYPE TIN PLATING REEL PACKING IVORY COLOR ROHS
DWG. 製圖 Betty		UNIT 單位 MM	SIZE 紙張尺寸 A 4
DATE 制表日 2013/10/04	PAGE 張數 1 OF 1	REV. 版次 A	PART NO. 料號 W3700-02FDTRI0R