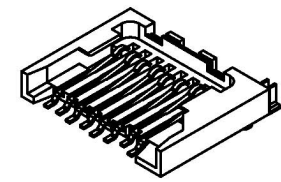
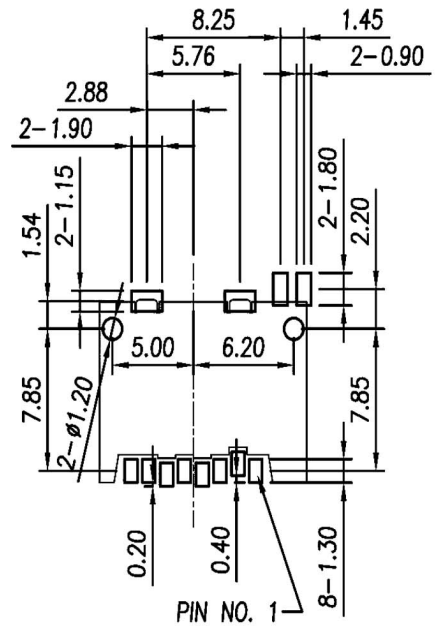
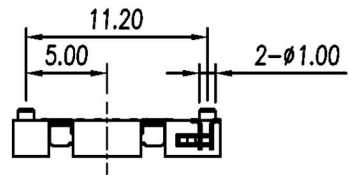
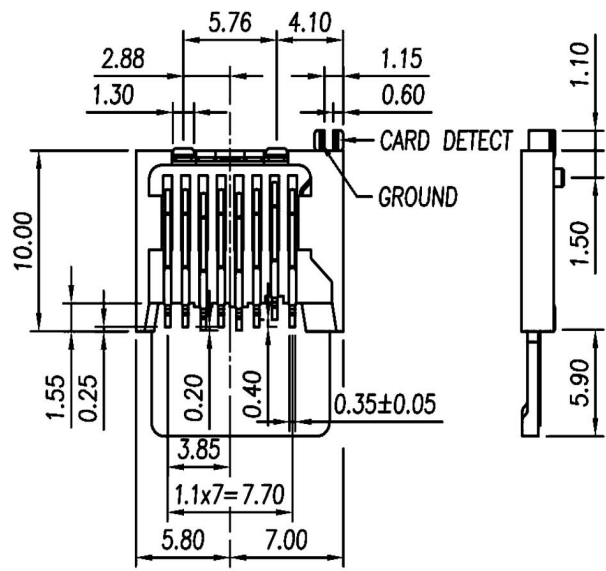


1 2 3 4 5 6 7 8

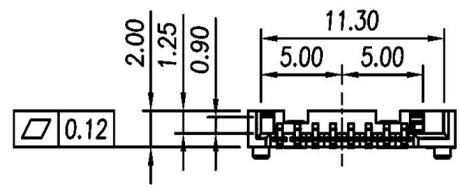
A
B
C
D
E
F
G
H



| Micro SD | |
|----------|---------|
| PIN | NAME |
| 1 | DAT2 |
| 2 | CD/DAT3 |
| 3 | CMD |
| 4 | VDD |
| 5 | CLK |
| 6 | VSS2 |
| 7 | DAT0 |
| 8 | DAT1 |



P.C.B Layout (Top View)



NOTES:

- 1.Material:
Housing:Thermoplastic UL94V-0
Color:Black
Contact:Phosphor Bronze.
Tin 100u" at Solder Tail,See

| | | | |
|------------------------|-------------------|--|---|
| RoHS Compliant | | HSM 玄茂科技股份有限公司 HSUAN MAO TECHNOLOGY CO., LTD. | |
| APPD. 核准 Betty | SCALE 比例 参考 | DIMENSION IN mm [inch] TOLERANCE UNLESS OTHERWISE SPECIFIED .XX±0.30 .X"±.1" .XX±0.20 .X"±0.5" XXX±0.10 .XX"±0.25" | PART NAME 品名 MICRO SD CARD CONNECTOR MANUAL TYPE SMT TYPE 8P WITH LOCATING PEG SELECTIVE GOLD PLATING BLACK COLOR REEL PACKING ROHS |
| DWG. 製圖 Betty | UNIT 單位 M M | SIZE 紙張尺寸 A 4 | PART NO. 料號 C0631-08DSYBR0R |
| DATE 制表日 2013/08/13 | PAGE 張數 1 OF 1 | REV. 版次 A | |

1 2 3 4 5 6 7 8