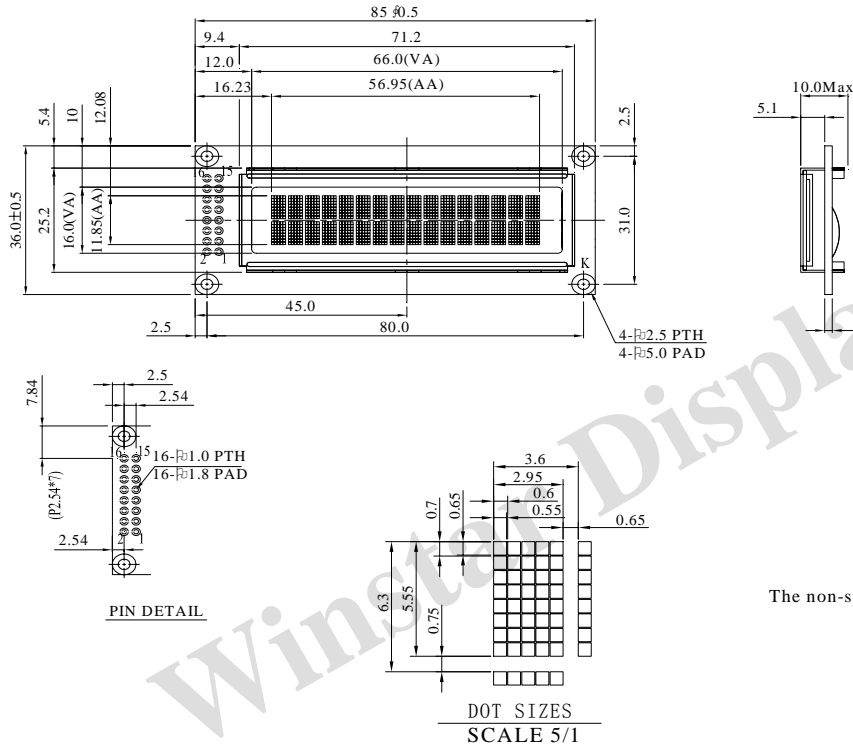


# Counter Drawing & Block Diagram



PIN NO.	SYMBOL
1	V <sub>ss</sub>
2	V <sub>dd</sub>
3	NC
4	RS
5	R/W
6	E
7	DB0
8	DB1
9	DB2
10	DB3
11	DB4
12	DB5
13	DB6
14	DB7
15	NC
16	NC

The non-specified tolerance of dimension is ±0.3 mm .