

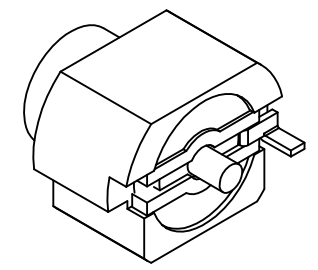
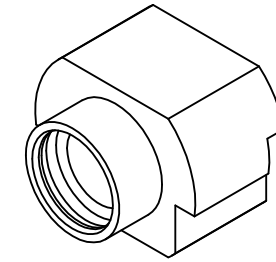
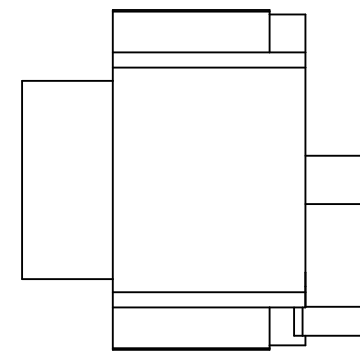
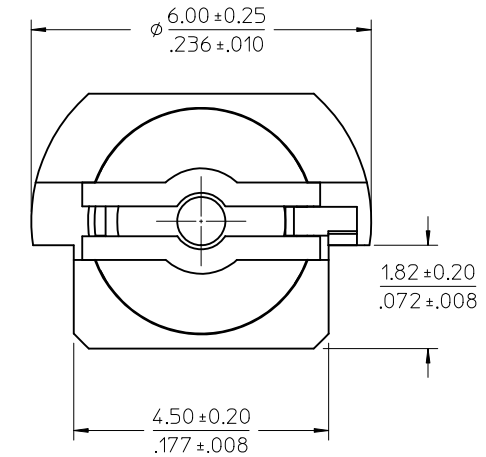
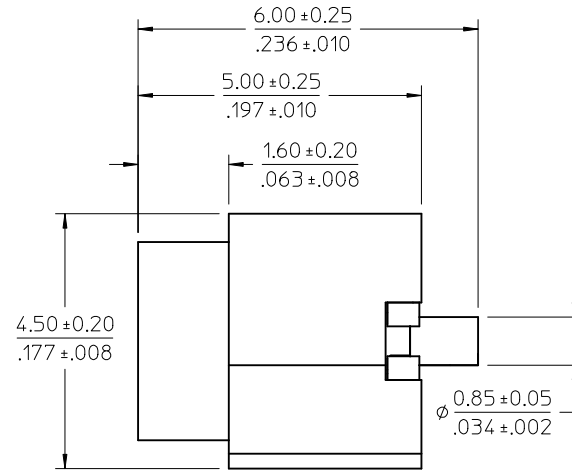
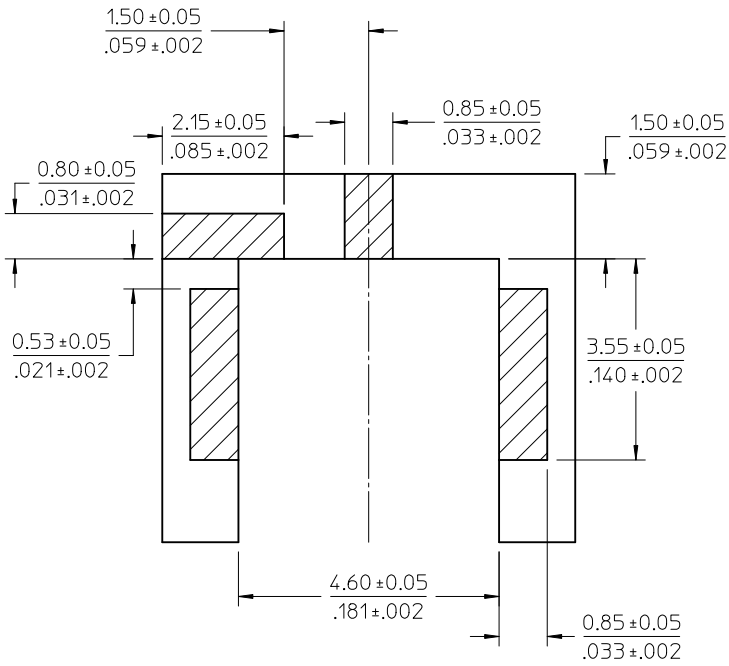
MATERIALS AND FINISHES

BODY BRASS
PLATED GOLD

CENTER CONTACT BECU
PLATED GOLD

INSULATOR LCP

HOOD BRASS
PLATED GOLD



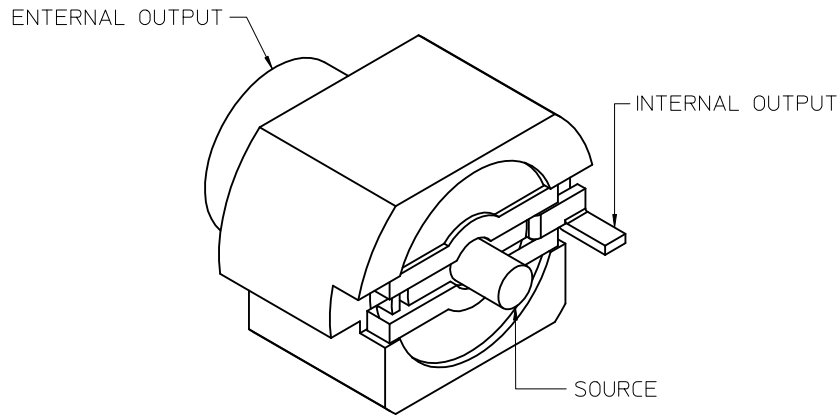
PS-73598-0420	PRODUCT SPEC.
ES-73599-0000-0160	MMCX INTERFACE
SPECIFICATION	DESCRIPTION

RTM PDR07-089	EC NO: URF2010-0301	QUALITY SYMBOLS ▽=0 ▽=0
	DRWNLIN 2009/12/24	
	CHKD: 2009/12/24	
	APPR:MHUANG 2009/12/24	
REV: A	DESCRIPTION	

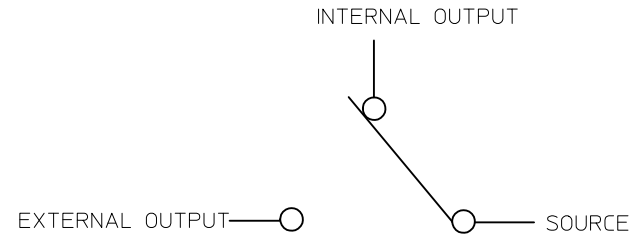
GENERAL TOLERANCES (UNLESS SPECIFIED)	
mm	INCH
4 PLACES ± .005	± .0002
3 PLACES ± .005	± .0002
2 PLACES ± .005	± .0002
1 PLACE ± .005	± .0002
ANGULAR ± 2°	
DRAFT WHERE APPLICABLE MUST REMAIN WITHIN DIMENSIONS	

DIMENSION STYLE MM/IN		SCALE	DESIGN UNITS METRIC	THIRD ANGLE PROJECTION
DRAWN BY JOYCE	DATE 2007/11/13	TITLE	MMCX JACK, SWITCH EDGE LAUNCH, PCB 50 OHMS, MMCX-J/PCB	
CHECKED BY JUDY	DATE 2007/11/11	MOLEX INCORPORATED		
APPROVED BY MISEN	DATE 2007/11/11	MATERIAL NO. 734140180	DOCUMENT NO. SD-73414-018	SHEET NO. 1 OF 2
THIS DRAWING CONTAINS INFORMATION THAT IS PROPRIETARY TO MOLEX INCORPORATED AND SHOULD NOT BE USED WITHOUT WRITTEN PERMISSION				

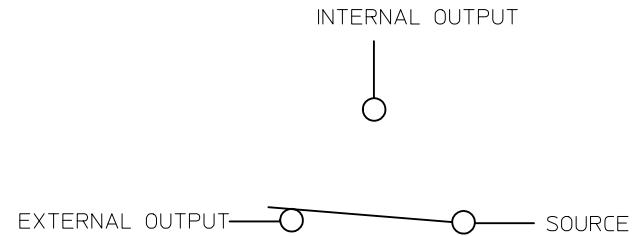
SWITCH FUNCTION



1. UNMATED



2. MATED



SEE SHEET 1 EC NO: URF2010-0301 DRWN:ELIN CHKD: APPR:MHUANG REV: A	2009/12/24 2009/12/24 2009/12/24	QUALITY SYMBOLS ▽=0 ▽=0	GENERAL TOLERANCES (UNLESS SPECIFIED)		DIMENSION STYLE MM/IN		SCALE	DESIGN UNITS	THIRD ANGLE PROJECTION		
				mm	INCH	DRAWN BY	DATE	TITLE	MOLEX INCORPORATED SD-73414-018		
	4 PLACES		± ---	± ---	JOYCE	2007/11/13	MMCX JACK, SWITCH EDGE LAUNCH, PCB 50 OHMS, MMCX-J/PCB				
	3 PLACES		± ---	± ---	CHECKED BY	DATE	DOCUMENT NO.			SHEET NO.	
2 PLACES	± ---	± ---	JUDY	2007/11/1	SEE SHEET 1			2 OF 2			
1 PLACE	± ---	± ---	APPROVED BY	DATE	THIS DRAWING CONTAINS INFORMATION THAT IS PROPRIETARY TO MOLEX INCORPORATED AND SHOULD NOT BE USED WITHOUT WRITTEN PERMISSION						
ANGULAR ± 2 °			MISEN	2007/11/1							
DRAFT WHERE APPLICABLE MUST REMAIN WITHIN DIMENSIONS											