

MATERIALS AND FINISHS

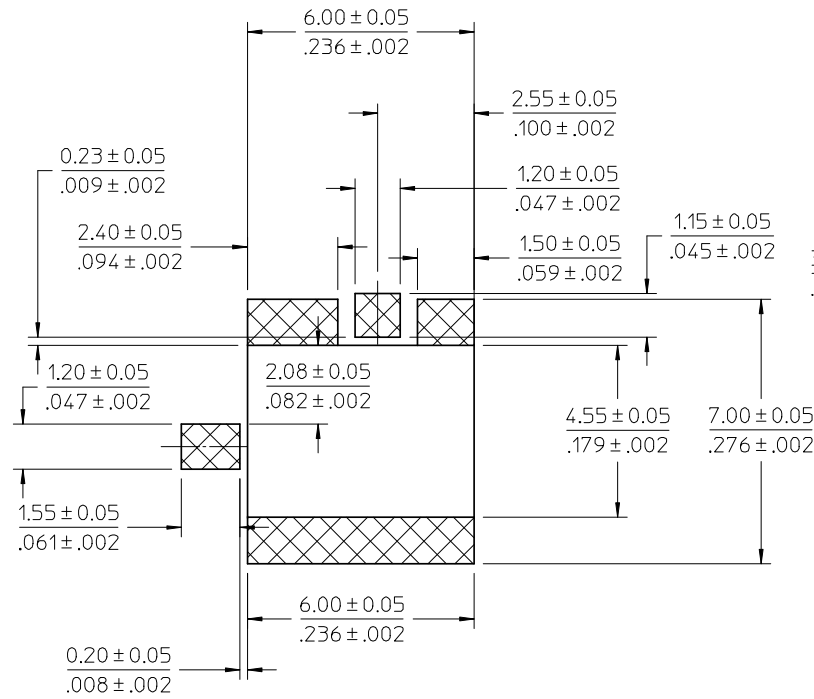
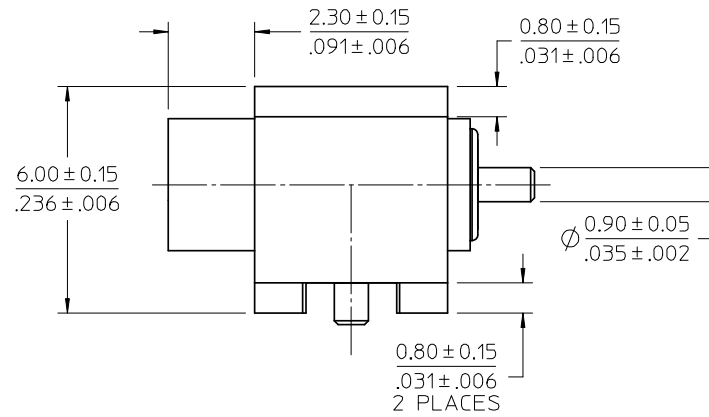
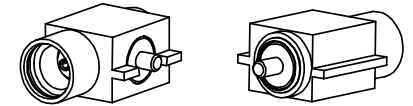
BODY,HOOD,PIN BRASS
PLATED GOLD

CENTER CONTACT BERYLLIUM COPPER
PLATED GOLD

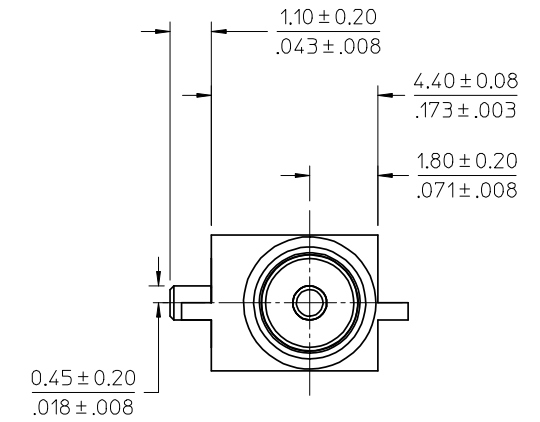
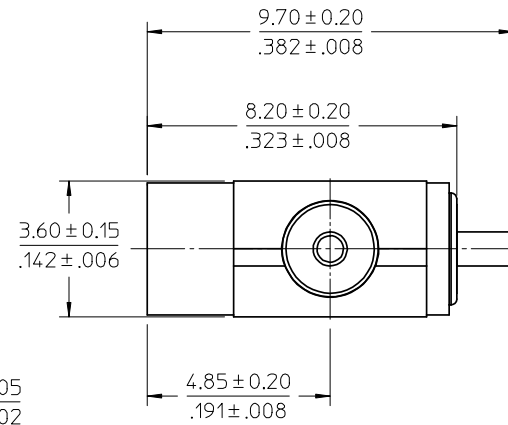
INSULATOR TEFLON

SPRING MUSIC WIRE

PACKAGING BY TAPE AND REEL



RECOMMENDED PCB LAYOUT



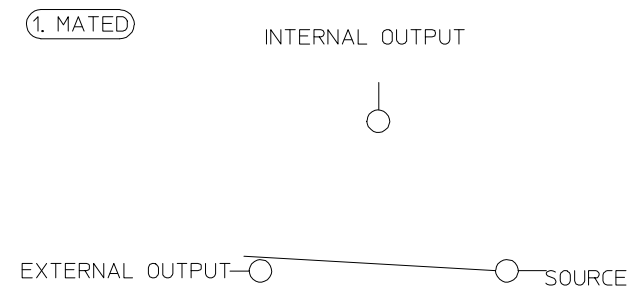
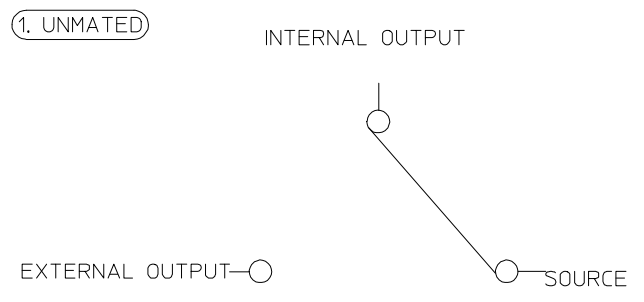
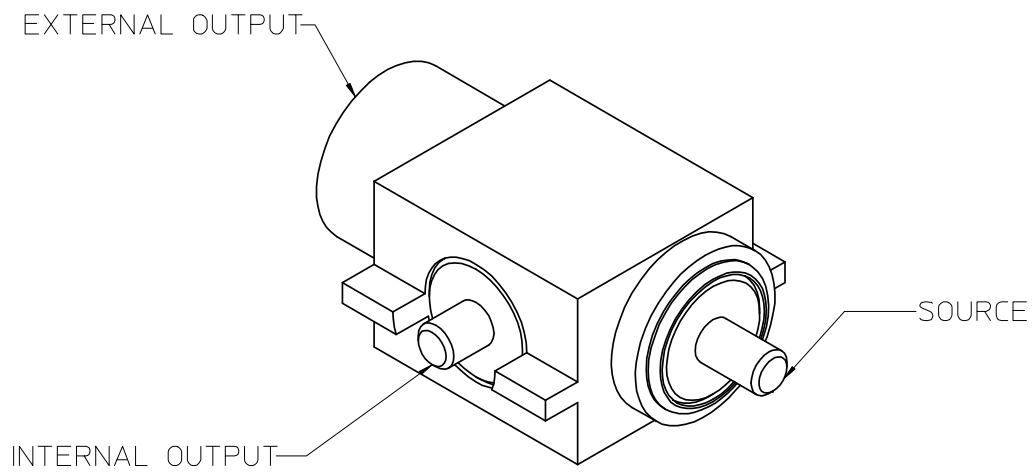
CHG: MODIFIED TOLERANCES	EC NO: URF2008-0622
MODIFIED	DRW: MCHANOS 2008/06/13
RECOMMENDED	CHKD: 2008/06/16
PCB LAYOUT	APPR: MHIANG 2008/06/16
DIMENSION	
B1	

QUALITY SYMBOLS
▽=0
▽=0

GENERAL TOLERANCES (UNLESS SPECIFIED)
4 PLACES ± ---
3 PLACES ± ---
2 PLACES ± ---
1 PLACE ± ---
ANGULAR ± 2 °
DRAFT WHERE APPLICABLE MUST REMAIN WITHIN DIMENSIONS

DIMENSION STYLE	SCALE
MM/IN	DESIGN UNITS
DRAWN BY	MICHAEL
DATE	2007/01/31
CHECKED BY	RICKY
DATE	2007/01/31
APPROVED BY	MISEN
DATE	2007/01/31
MATERIAL NO.	734140120
DOCUMENT NO.	SD-73414-012
SIZE	C

THIRD ANGLE PROJECTION	
TITLE	MMCX SWITCH JACK PCB SMT, PDR07-130
MOLEX	MOLEX INCORPORATED
SHEET NO.	1 OF 4
THIS DRAWING CONTAINS INFORMATION THAT IS PROPRIETARY TO MOLEX INCORPORATED AND SHOULD NOT BE USED WITHOUT WRITTEN PERMISSION	

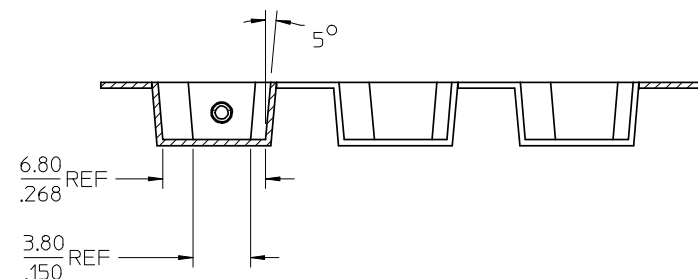
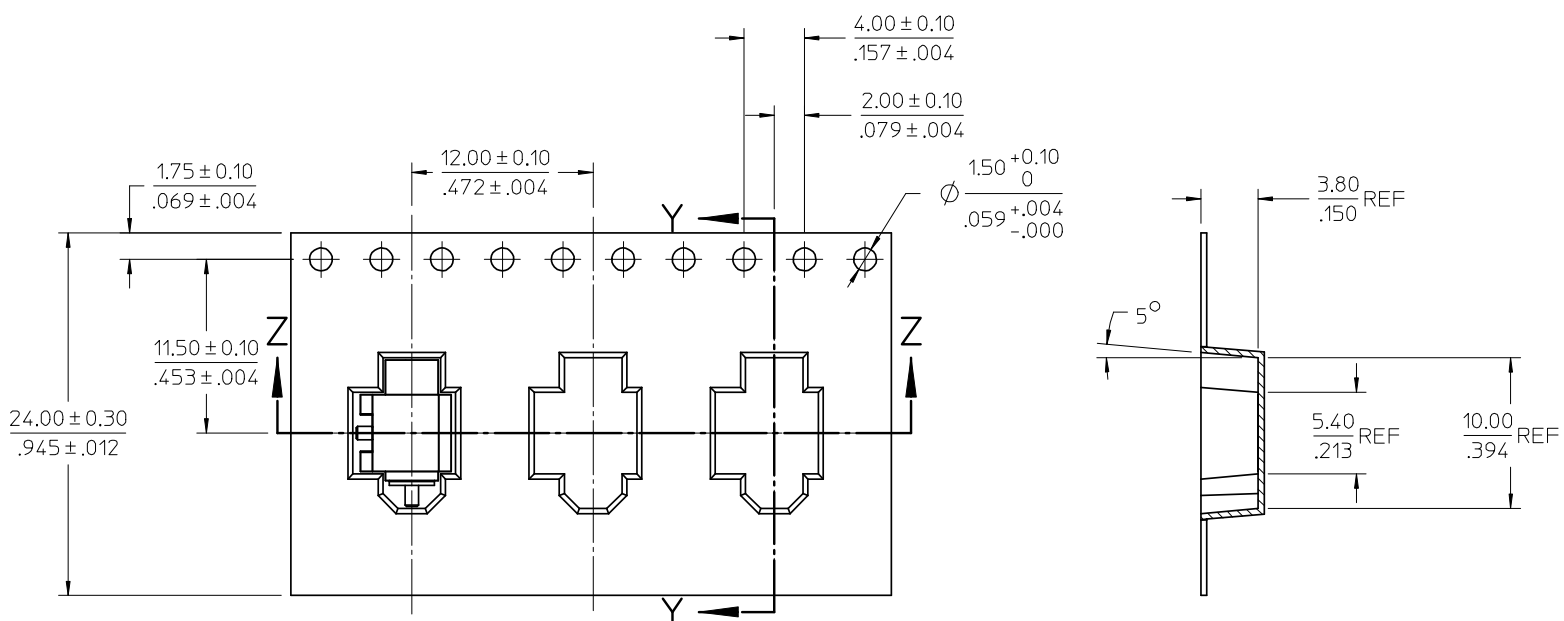


CHG: SEE SHEET 1	QUALITY SYMBOLS
EC NO: URF2008-0622	▼=0
DRWN: MICHANOS 2008/06/13	▽=0
CHKD:	
APPR: MHLIANG 2008/06/16	
REV	DESCRIPTION
B1	

GENERAL TOLERANCES (UNLESS SPECIFIED)	
mm	INCH
4 PLACES ± .005	± .0004
3 PLACES ± .008	± .0003
2 PLACES ± .015	± .0002
1 PLACE ± .030	± .0001
ANGULAR ± 2 °	
DRAFT WHERE APPLICABLE MUST REMAIN WITHIN DIMENSIONS	

DIMENSION STYLE	
MM/IN	SCALE
DRAWN BY: MICHAEL	DATE: 2007/01/31
CHECKED BY: RICKY	DATE: 2007/01/31
APPROVED BY: MISEN	DATE: 2007/01/31
MATERIAL NO. 734140120	DOCUMENT NO. SD-73414-012
SIZE C	THIS DRAWING CONTAINS INFORMATION THAT IS PROPRIETARY TO MOLEX INCORPORATED AND SHOULD NOT BE USED WITHOUT WRITTEN PERMISSION

DESIGN UNITS	THIRD ANGLE PROJECTION
METRIC	☉
TITLE: MMCX SWITCH JACK PCB SMT, PDR07-130	
MOLEX INCORPORATED	
SHEET NO. 2 OF 4	



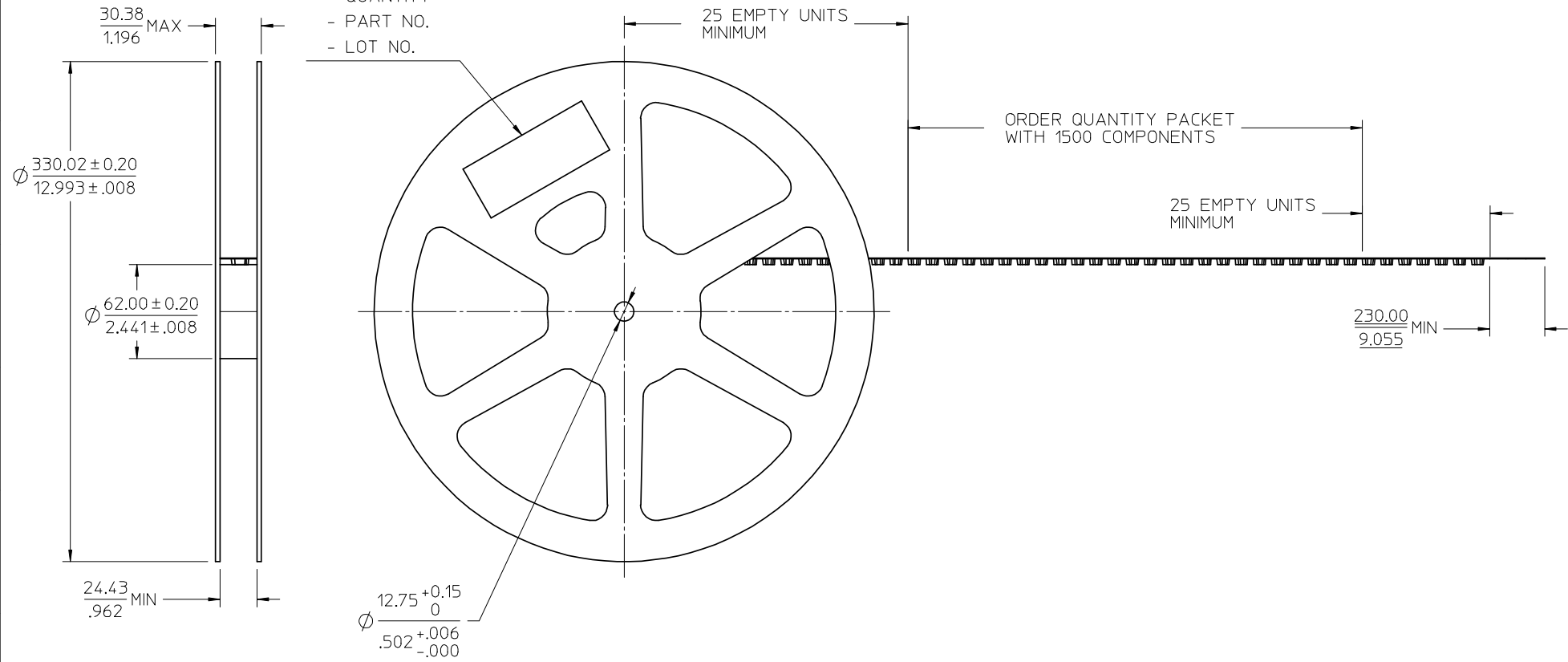
SEE SHEET 1	QUALITY SYMBOLS
EC NO: URF2008-0622	▽=0
DRWN: MCHANOS 2008/06/13	▽=0
CHKD: 2008/06/16	
APPR: MHIANG 2008/06/16	
REV	DESCRIPTION
B1	

GENERAL TOLERANCES (UNLESS SPECIFIED)	
mm	INCH
4 PLACES ± .005	± .0002
3 PLACES ± .008	± .0003
2 PLACES ± .015	± .0006
1 PLACE ± .030	± .0012
ANGULAR ± 2°	
DRAFT WHERE APPLICABLE MUST REMAIN WITHIN DIMENSIONS	

DIMENSION STYLE	
MM/IN	
DRAWN BY	DATE
MICHAEL	2007/01/31
CHECKED BY	DATE
RICKY	2007/01/31
APPROVED BY	DATE
MISEN	2007/01/31
MATERIAL NO.	
734140120	

SCALE	DESIGN UNITS	THIRD ANGLE PROJECTION
	METRIC	
TITLE		
MMCX SWITCH JACK PCB SMT, PDR07-130		
MOLEX INCORPORATED		SHEET NO.
DOCUMENT NO.		3 OF 4
THIS DRAWING CONTAINS INFORMATION THAT IS PROPRIETARY TO MOLEX INCORPORATED AND SHOULD NOT BE USED WITHOUT WRITTEN PERMISSION		

LABEL:
 - ORDER NO.
 - QUANTITY
 - PART NO.
 - LOT NO.



SEE SHEET 1 EC NO: URF2008-0622 DRWN: MCHANOS 2008/06/13 CHKD: 2008/06/16 APPR: MHIANG 2008/06/16	QUALITY SYMBOLS ▽=0 ▽=0	GENERAL TOLERANCES (UNLESS SPECIFIED)		DIMENSION STYLE MM/IN		SCALE	DESIGN UNITS METRIC	THIRD ANGLE PROJECTION		
				DRAWN BY MICHAEL	DATE 2007/01/31	TITLE MMCX SWITCH JACK PCB SMT, PDR07-130				
				CHECKED BY RICKY	DATE 2007/01/31	APPROVED BY MISEN				
				MATERIAL NO. 734140120		DOCUMENT NO. SD-73414-012		SHEET NO. 4 OF 4		
B1	DESCRIPTION	DRAFT WHERE APPLICABLE MUST REMAIN WITHIN DIMENSIONS		SIZE C		THIS DRAWING CONTAINS INFORMATION THAT IS PROPRIETARY TO MOLEX INCORPORATED AND SHOULD NOT BE USED WITHOUT WRITTEN PERMISSION				