

MATERIALS AND FINISHES

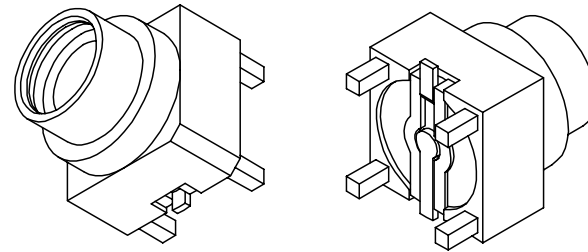
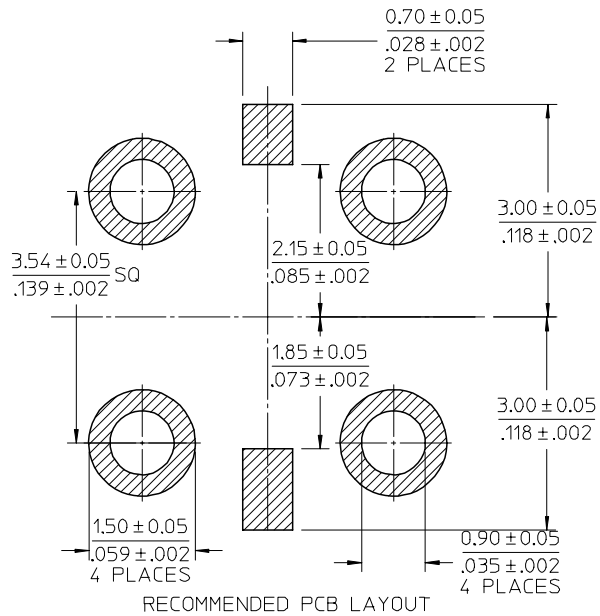
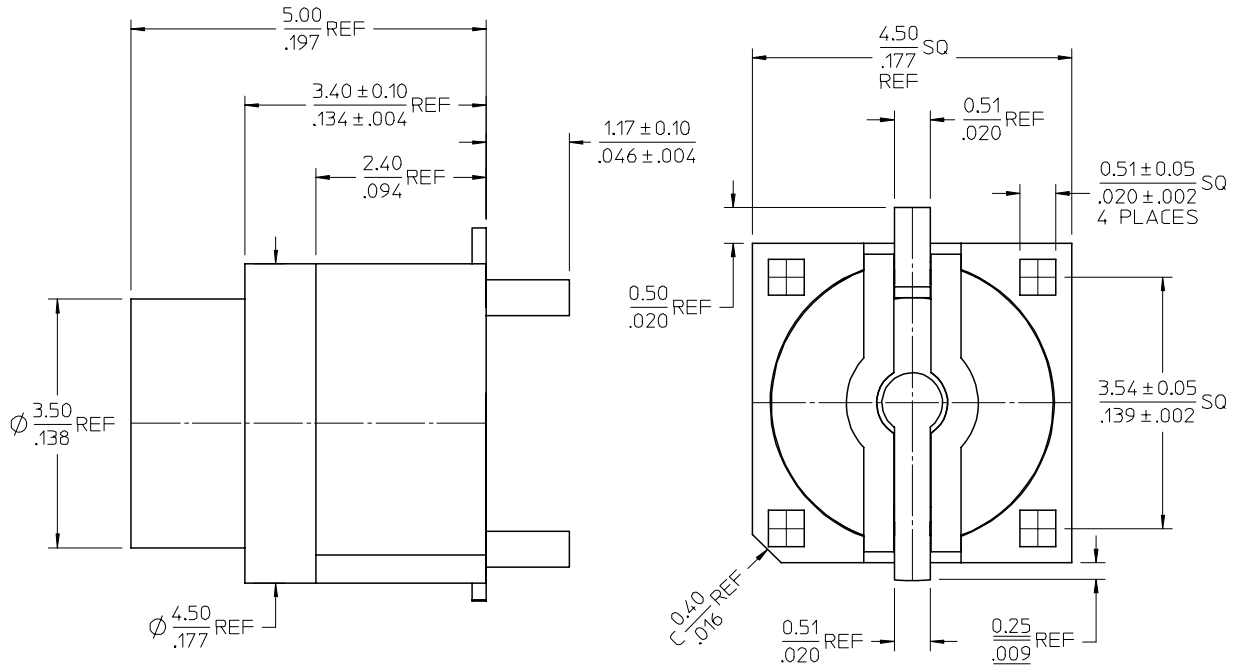
BODY BRASS
PLATED GOLD

CENTER CONTACT BECU
PLATED GOLD

INSULATOR LCP

HOOD BRASS
PLATED GOLD

PACKAGING BY TAPE & REEL

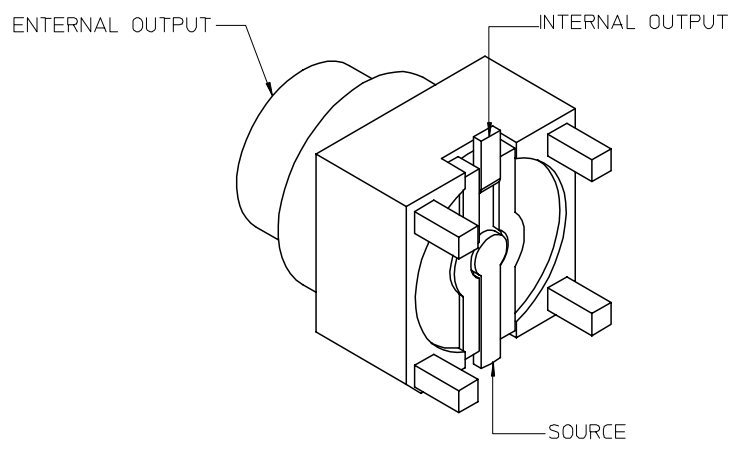


PS-73598-0420	PRODUCT SPECIFICATION
ES-73599-0000-0160	MMCX INTERFACE
SPECIFICATION	DESCRIPTION

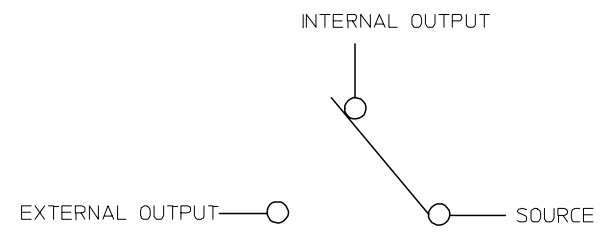
73414-0081	REEL SIZE FOR 200 PIECES (SEE SHEET 5)
73414-0080	REEL SIZE FOR 900 PIECES (SEE SHEET 4)
PART NO.	PACKAGING
DIM X	DESCRIPTION

RTM, PDR07-085 FC NO: URF2008-0090 DRAWN: SCHOU CHKD: 2007/09/07 APPR: MLIANG 2007/09/07	QUALITY SYMBOLS ▽=0 ▽=0	GENERAL TOLERANCES (UNLESS SPECIFIED)		DIMENSION STYLE MM/IN		SCALE	DESIGN UNITS	THIRD ANGLE PROJECTION
		mm	INCH	DRAWN BY	DATE	TITLE	METRIC	
		4 PLACES	±	±	JOYCE	2006/12/05	MMCX JACK, SWITCH VERTICAL, PCB	
		3 PLACES	±	±	CHECKED BY	DATE	50 OHMS, MMCX-J/PCB	
		2 PLACES	±	±	JOHNSON	2006/12/05	MOLEX INCORPORATED	
		1 PLACE	±	±	APPROVED BY	DATE	MATERIAL NO. DOCUMENT NO. SHEET NO.	
		ANGULAR ± 2 °		MISEN	2006/12/05	SD-73414-008		1 OF 5
		DRAFT WHERE APPLICABLE MUST REMAIN WITHIN DIMENSIONS		SEE TABLE				
				THIS DRAWING CONTAINS INFORMATION THAT IS PROPRIETARY TO MOLEX INCORPORATED AND SHOULD NOT BE USED WITHOUT WRITTEN PERMISSION				

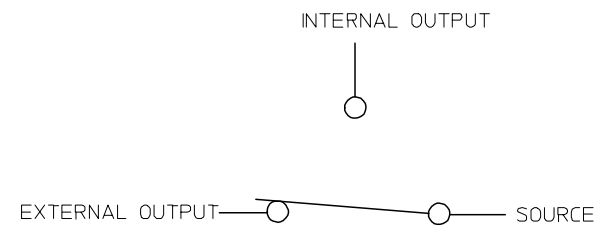
SWITCH FUNCTION



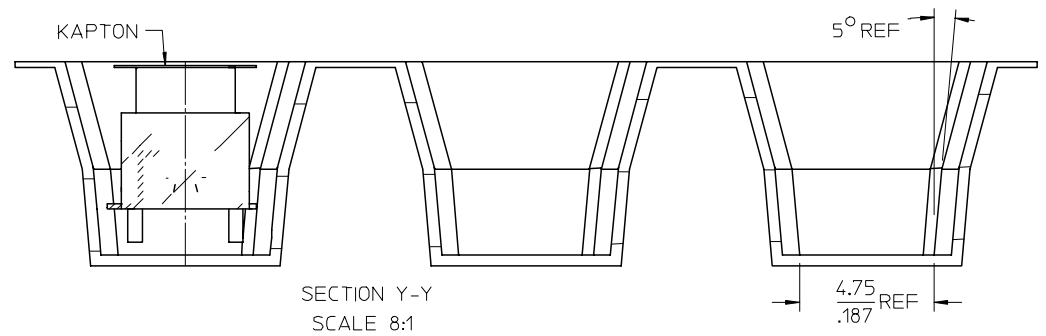
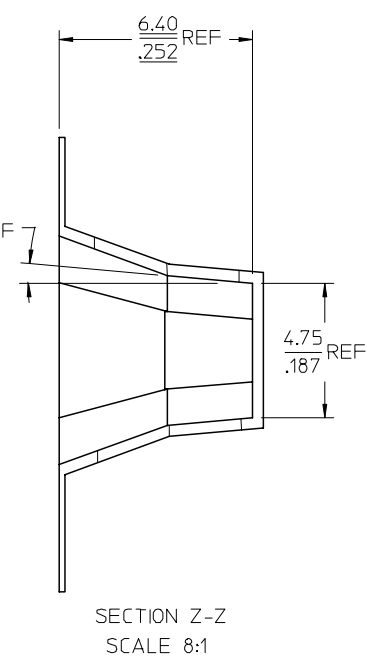
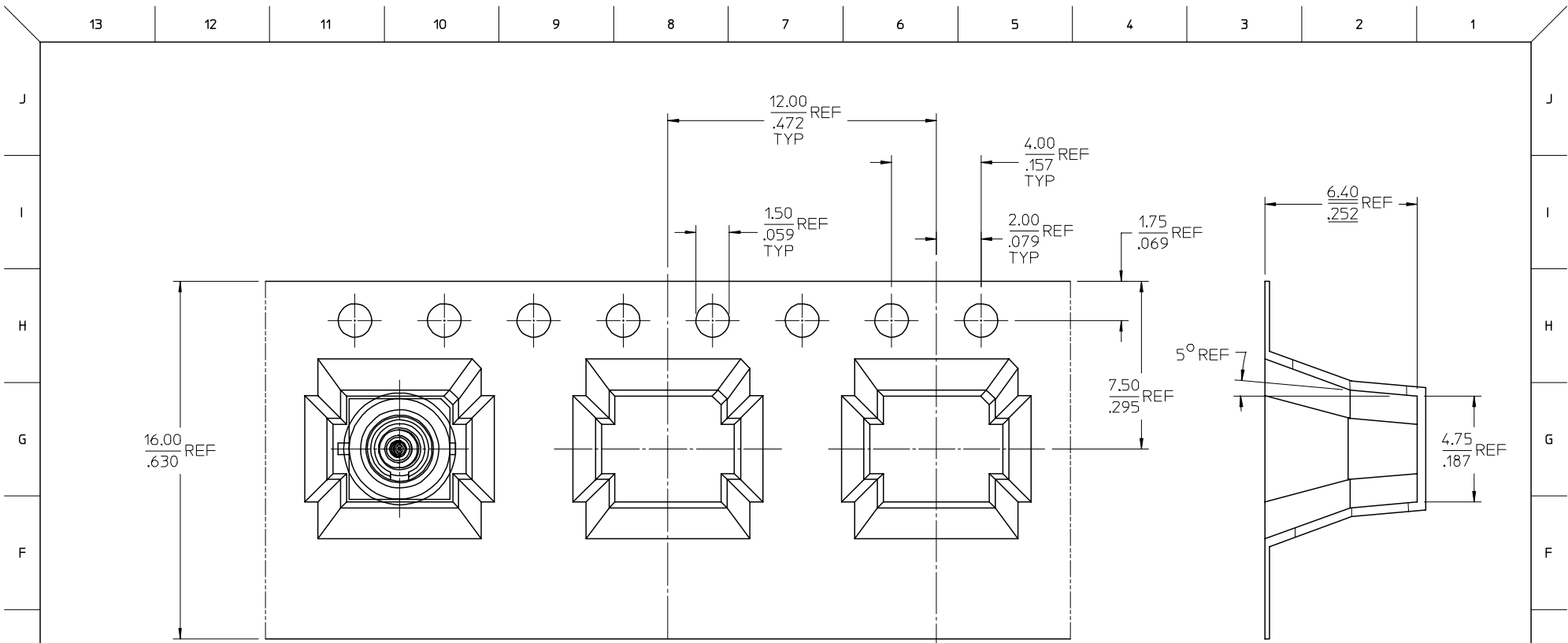
1. UNMATED



2. MATED

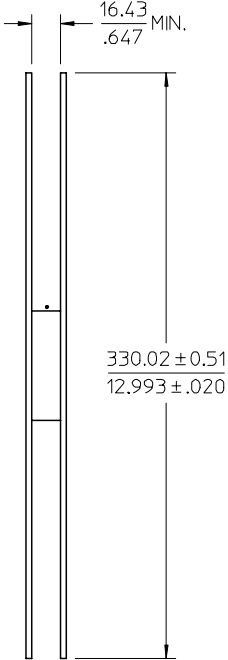


SEE SHEET 1 FC NO: URF2008-0090 DRAWN: SCHOU CHKD: CHANG APPR: MHIANG REVISION DESCRIPTION 2007/09/04 2007/09/07 2007/09/07	QUALITY SYMBOLS	GENERAL TOLERANCES (UNLESS SPECIFIED)		DIMENSION STYLE MM/IN		SCALE	DESIGN UNITS METRIC	THIRD ANGLE PROJECTION
	$\nabla=0$ $\sphericalangle=0$	mm	INCH	DRAWN BY JOYCE	DATE 2006/12/05	TITLE	MMCX JACK, SWITCH VERTICAL, PCB 50 OHMS, MMCX-J/PCB	
		4 PLACES ± ---	± ---	CHECKED BY JOHNSON	DATE 2006/12/05			
		3 PLACES ± ---	± ---	APPROVED BY MISEN	DATE 2006/12/05		MOLEX INCORPORATED SD-73414-008	
	2 PLACES ± ---	± ---	MATERIAL NO.	DOCUMENT NO.	SHEET NO.			
	1 PLACE ± ---	± ---	DRAFT WHERE APPLICABLE MUST REMAIN WITHIN DIMENSIONS		SEE SHEET 1	2 OF 5		
		ANGULAR ± 2 °		THIS DRAWING CONTAINS INFORMATION THAT IS PROPRIETARY TO MOLEX INCORPORATED AND SHOULD NOT BE USED WITHOUT WRITTEN PERMISSION				

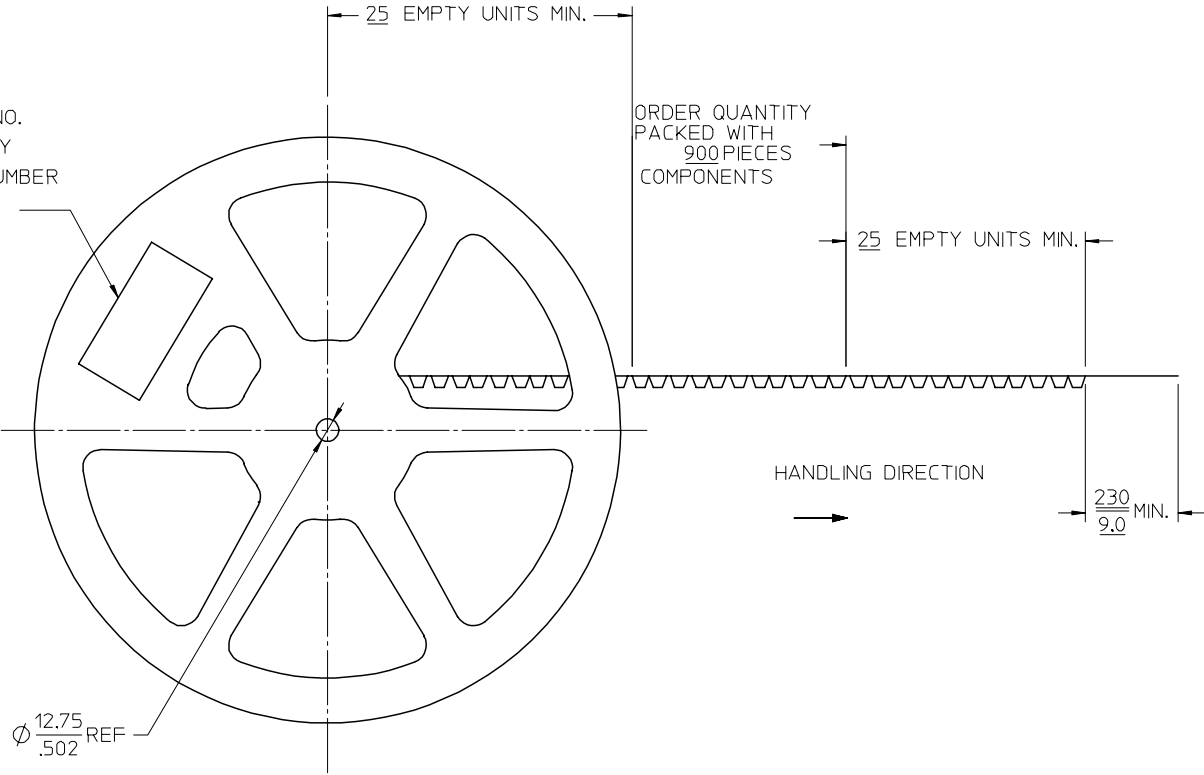


SEE SHEET 1 FC NO.: URF2008-0090 DRAWN: SCHOU CHKD: 2007/09/07 APPR: MJIANG 2007/09/07	QUALITY SYMBOLS ▽=0 ▽=0	GENERAL TOLERANCES (UNLESS SPECIFIED)		DIMENSION STYLE MM/IN		SCALE	DESIGN UNITS	THIRD ANGLE PROJECTION	
		mm	INCH	DRAWN BY	DATE	TITLE	METRIC		
		4 PLACES	± ---	± ---	JOYCE	2006/12/05	MMCX JACK, SWITCH VERTICAL, PCB 50 OHMS, MMCX-J/PCB		
		3 PLACES	± ---	± ---	CHECKED BY	DATE			
2 PLACES	± ---	± ---	JOHNSON	2006/12/05					
1 PLACE	± ---	± ---	APPROVED BY	DATE					
ANGULAR ± 2 °		MATERIAL NO.		MISEN		2006/12/05			
DRAFT WHERE APPLICABLE MUST REMAIN WITHIN DIMENSIONS		SEE SHEET 1		MATERIAL NO.		DOCUMENT NO.			
		SIZE C		SD-73414-008		SHEET NO. 3 OF 5			

P/N 73414-0080
 13" REEL SIZE FOR 900 PIECES



LABEL
 - ORDER NO.
 - QUANTITY
 - PART NUMBER
 - LOT NO.



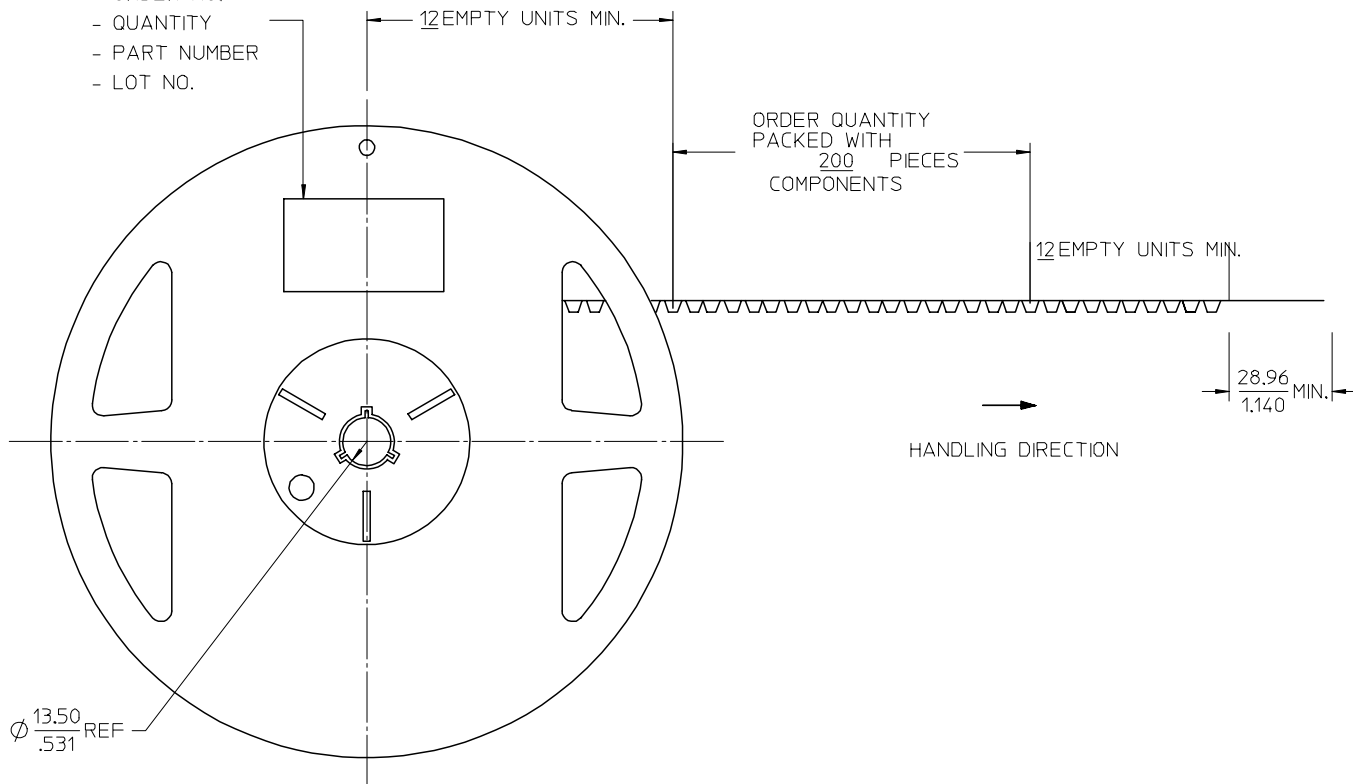
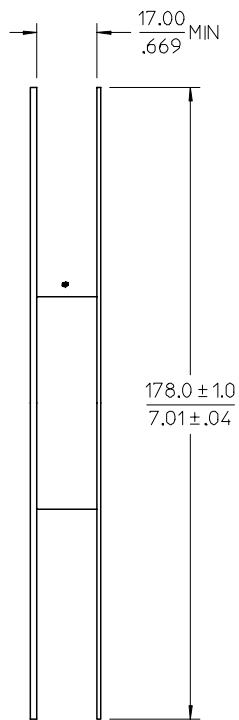
SEE SHEET 1 FC NO: URF2008-0090 DRAWN: SCHOU CHKD: APPR: MLIANG REVISION DESCRIPTION	QUALITY SYMBOLS $\blacktriangledown = 0$ $\nabla = 0$	GENERAL TOLERANCES (UNLESS SPECIFIED)	DIMENSION STYLE MM/IN	SCALE	DESIGN UNITS METRIC	THIRD ANGLE PROJECTION
		mm INCH	DRAWN BY DATE JOYCE 2006/12/05	TITLE MMCX JACK, SWITCH VERTICAL, PCB 50 OHMS, MMCX-J/PCB		
		4 PLACES ± --- ± --- 3 PLACES ± --- ± --- 2 PLACES ± --- ± --- 1 PLACE ± --- ± ---	CHECKED BY DATE JOHNSON 2006/12/05	MATERIAL NO. 73414-0080		
		ANGULAR ± 2 °	APPROVED BY DATE MISEN 2006/12/05	DOCUMENT NO. SD-73414-008	SHEET NO. 4 OF 5	
		DRAFT WHERE APPLICABLE MUST REMAIN WITHIN DIMENSIONS	SIZE C	THIS DRAWING CONTAINS INFORMATION THAT IS PROPRIETARY TO MOLEX INCORPORATED AND SHOULD NOT BE USED WITHOUT WRITTEN PERMISSION		

13 12 11 10 9 8 7 6 5 4 3 2 1

J
I
H
G
F
E
D
C
B
A

P/N 73414-0081
7" REEL SIZE FOR 200 PIECES

LABEL
- ORDER NO.
- QUANTITY
- PART NUMBER
- LOT NO.



∅ 13.50 / .531 REF

SEE SHEET 1 FC NO: URF2008-0090 DRAWN: SCHOU 2007/09/04 CHKD: 2007/09/07 APPR: MLIANG 2007/09/07	QUALITY SYMBOLS ▽=0 ▽=0	GENERAL TOLERANCES (UNLESS SPECIFIED)		DIMENSION STYLE MM/IN		SCALE	DESIGN UNITS METRIC	THIRD ANGLE PROJECTION		
		4 PLACES ± --- ± ---	3 PLACES ± --- ± ---	2 PLACES ± --- ± ---	1 PLACE ± --- ± ---	DRAWN BY JOYCE	DATE 2006/12/05	TITLE MMCX JACK, SWITCH VERTICAL, PCB 50 OHMS, MMCX-J/PCB		
		ANGULAR ± 2 °				CHECKED BY JOHNSON	DATE 2006/12/05	APPROVED BY MISEN		
		DRAFT WHERE APPLICABLE MUST REMAIN WITHIN DIMENSIONS				MATERIAL NO. 73414-0081	DATE 2006/12/05	DOCUMENT NO. SD-73414-008		SHEET NO. 5 OF 5

12 11 10 9 8 7 6 5 4 3 2 1