

MATERIALS AND FINISH:

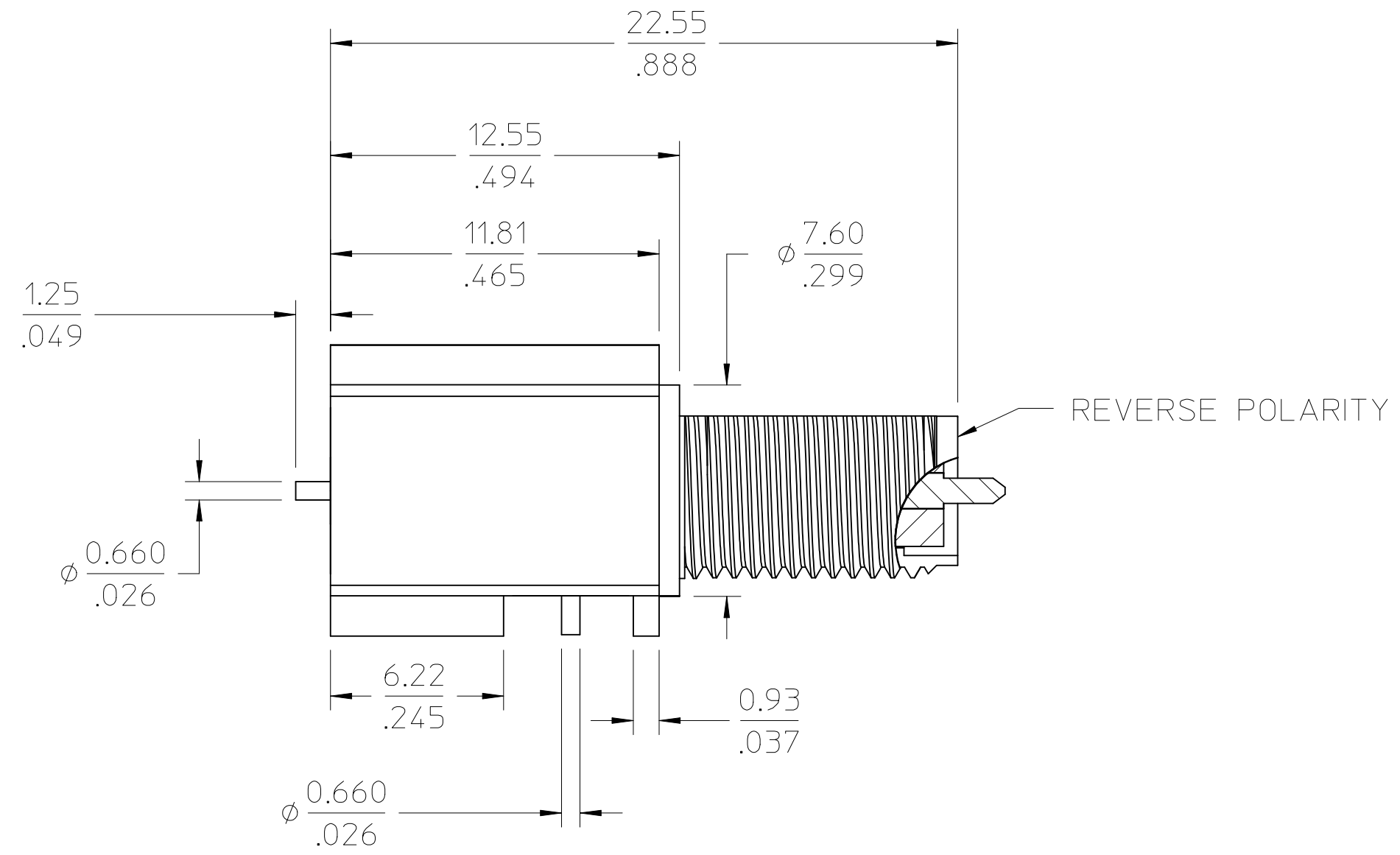
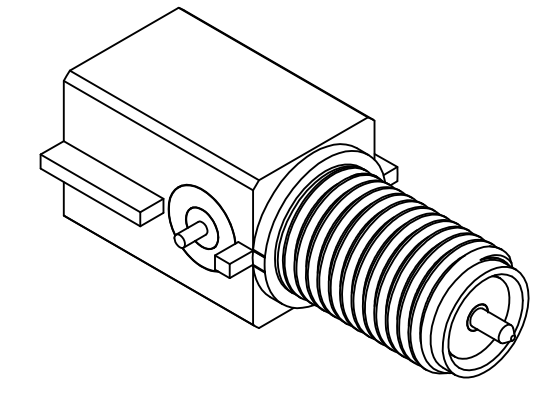
BODY, REAR CONTACTS, JAM NUT: BRASS  
PLATED GOLD

LOCK WASHER, FRONT CONTACT: PHOSPHOR BRONZE  
PLATED GOLD

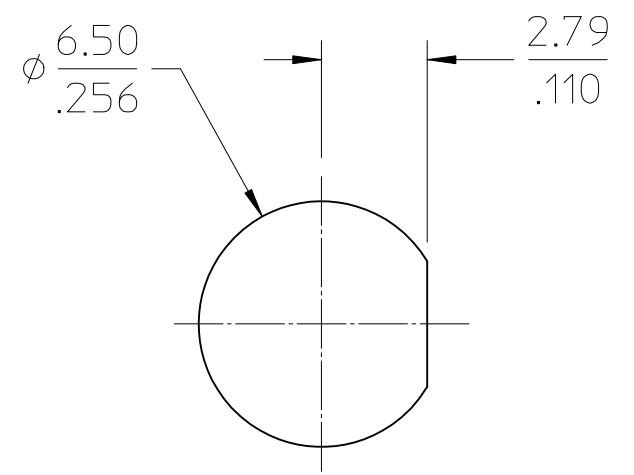
INSULATOR: TEFLON

SPRING: STAINLESS STEEL

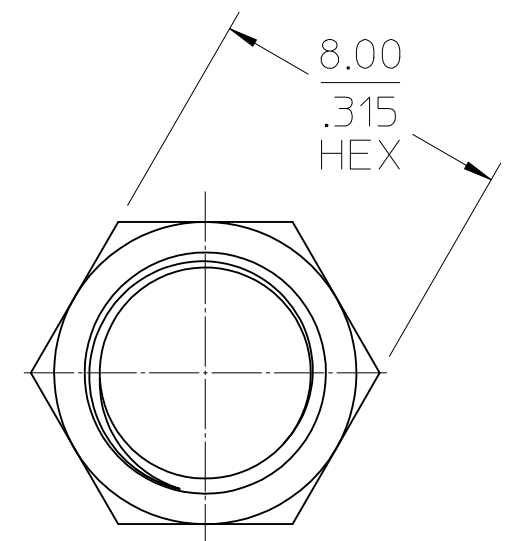
PACKAGE: TRAY  
NUT AND WASHER BY POLY BAG



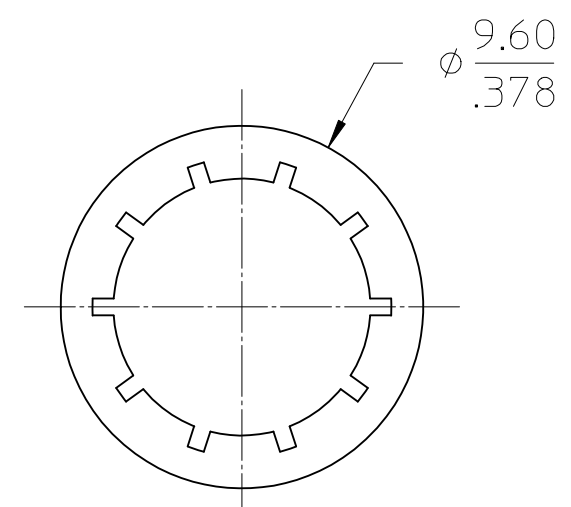
REVERSE POLARITY



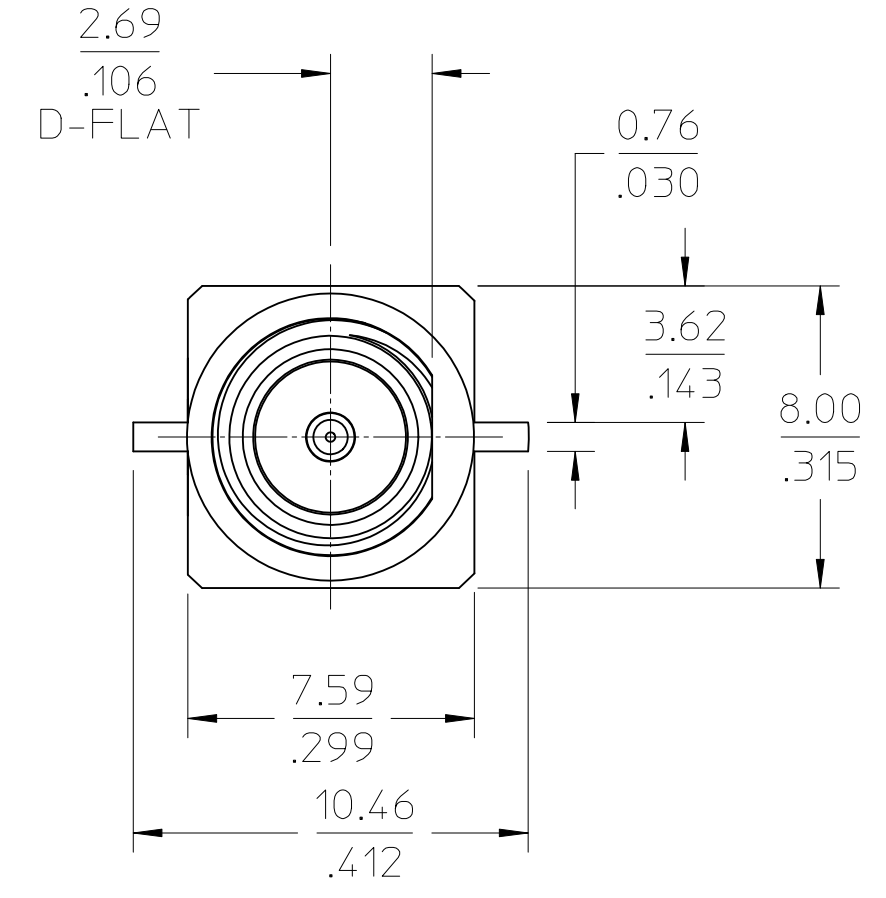
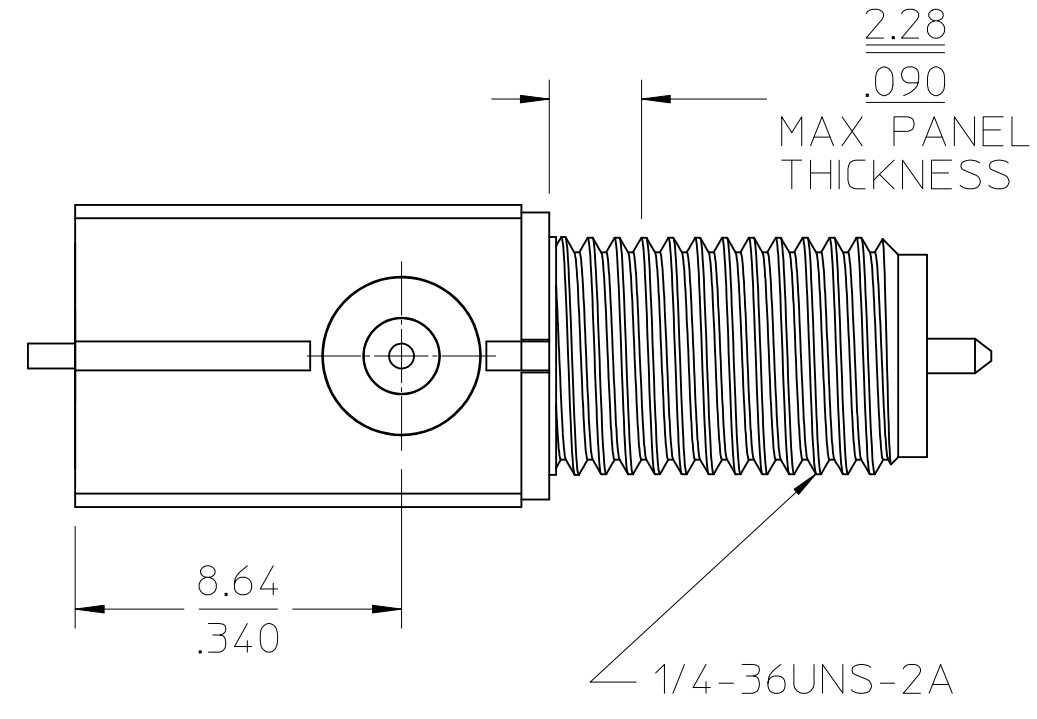
PANEL CUTOUT



JAM NUT

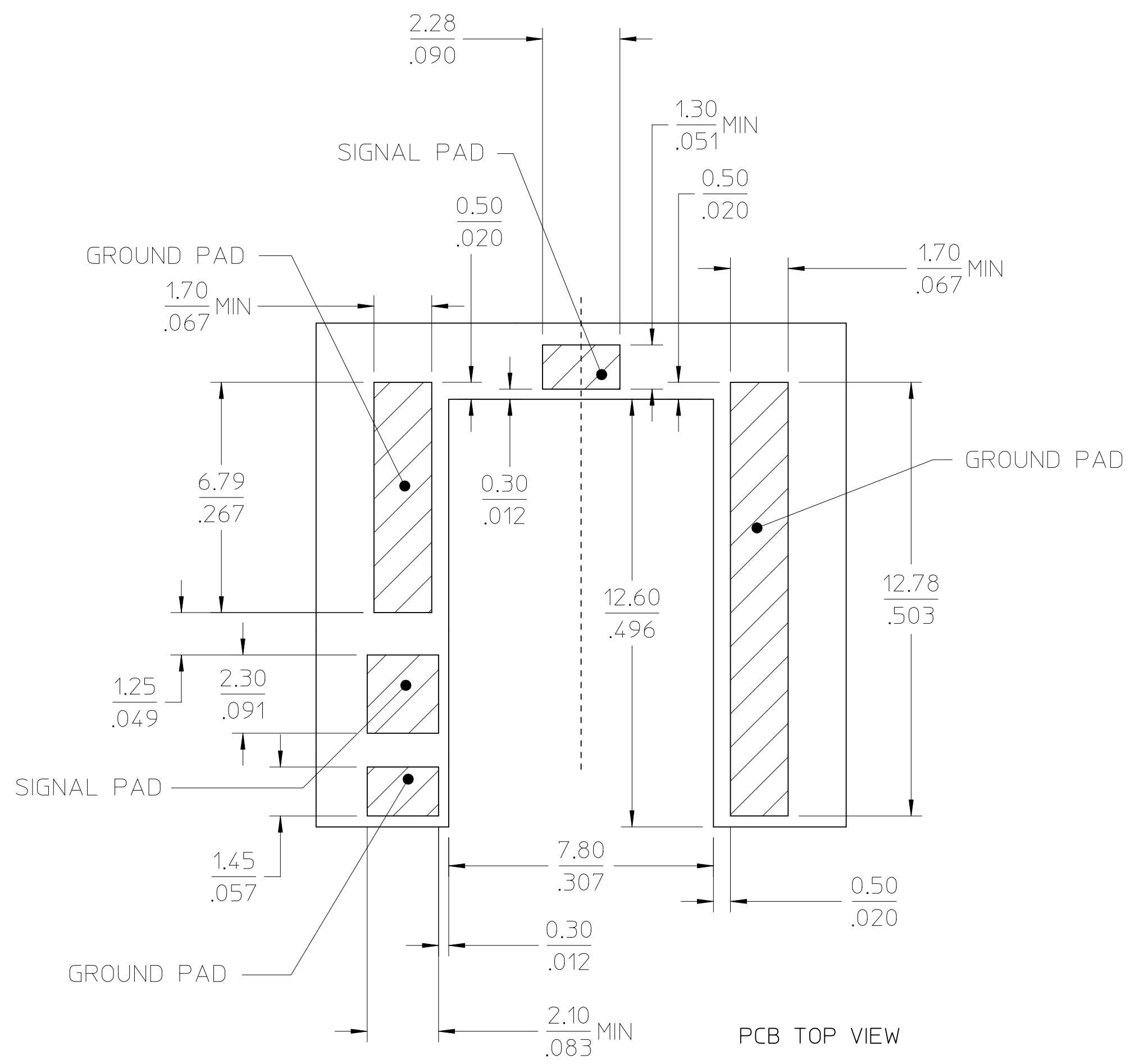


LOCK WASHER



PART # 73253-0170

|   |   |  |  |   |   |                    |              |                        |
|---|---|--|--|---|---|--------------------|--------------|------------------------|
| A | B | CHG: LEG .030 WAS<br>.040<br>EC NO: URF2011-0016<br>DRWN: JLEE02 2010/07/12<br>CHKD: SSS 2010/02/19<br>APPR: JWIENER 2010/07/12<br>REV DESCRIPTION<br>A1 | QUALITY SYMBOLS  | GENERAL TOLERANCES (UNLESS SPECIFIED)   | DIMENSION STYLE   | SCALE              | DESIGN UNITS | THIRD ANGLE PROJECTION |
|   |   |  | $\blacktriangledown = 0$<br>$\triangle = 0$                | mm INCH<br>4 PLACES $\pm$ --- $\pm$ ---<br>3 PLACES $\pm$ --- $\pm$ ---<br>2 PLACES $\pm$ --- $\pm$ ---<br>1 PLACE $\pm$ --- $\pm$ ---<br>ANGULAR $\pm 2^\circ$ | MM/IN   | SCALE              | METRIC       |                        |
|   |   |  | DRAFT WHERE APPLICABLE<br>MUST REMAIN<br>WITHIN DIMENSIONS | DRAWN BY: JLEE02<br>CHECKED BY: SSS<br>APPROVED BY: JWIENER<br>DATE: 2010/02/19<br>DATE: 2010/02/19<br>DATE: 2010/07/12   | TITLE<br>SMA JACK SWITCH 6 GHZ<br>REVERSE POLARITY, PCB<br>EWR-4275, SMA-J/SMT/RP | MOLEX INCORPORATED |              |                        |
|   |   |  | MATERIAL NO.<br>732530170                                  | DOCUMENT NO.<br>SD-73253-017  | SHEET NO.<br>1 OF 3   |                    |              |                        |



RECOMMEND PCB LAYOUT DIMENSION

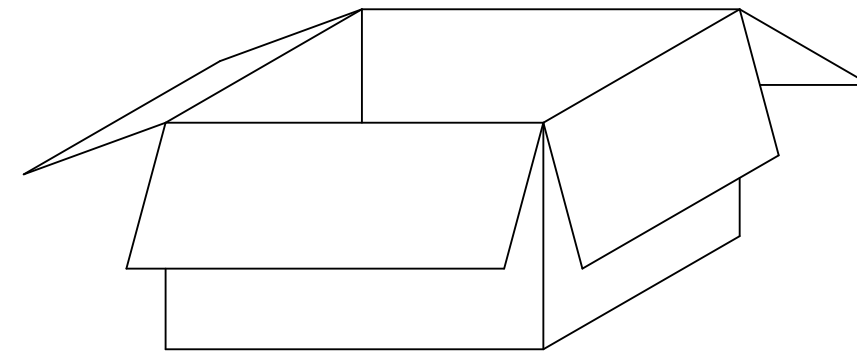
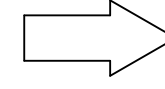
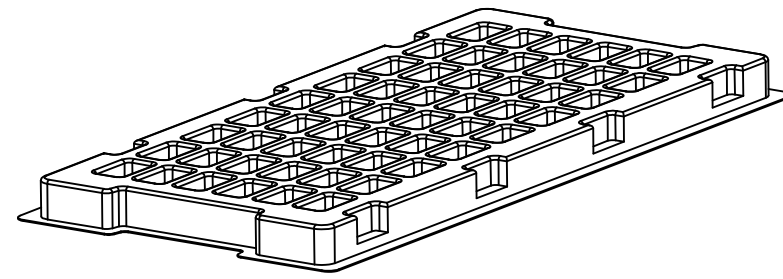
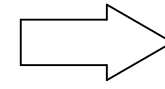
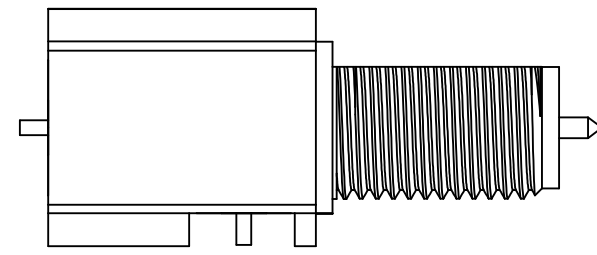
|                  |                     |            |
|------------------|---------------------|------------|
| CHG: SEE SHEET 1 | EC NO: URF2011-0016 | 2010/07/12 |
|                  | DRWN: JLEE02        | 2010/02/19 |
|                  | CHKD: SSS           | 2010/07/12 |
|                  | APPR: JWIENER       | 2010/07/12 |
| REV              | A1                  |            |

|                 |  |
|-----------------|--|
| QUALITY SYMBOLS | ▼=0  |
|                 | ∇=0  |
|                 | ANGULAR ± 2 °  |
|                 | DRAFT WHERE APPLICABLE MUST REMAIN WITHIN DIMENSIONS |
|                 | SIZE C   |

| GENERAL TOLERANCES (UNLESS SPECIFIED) |       |
|---------------------------------------|-------|
| mm                                    | INCH  |
| 4 PLACES ± ---                        | ± --- |
| 3 PLACES ± ---                        | ± --- |
| 2 PLACES ± ---                        | ± --- |
| 1 PLACE ± ---                         | ± --- |

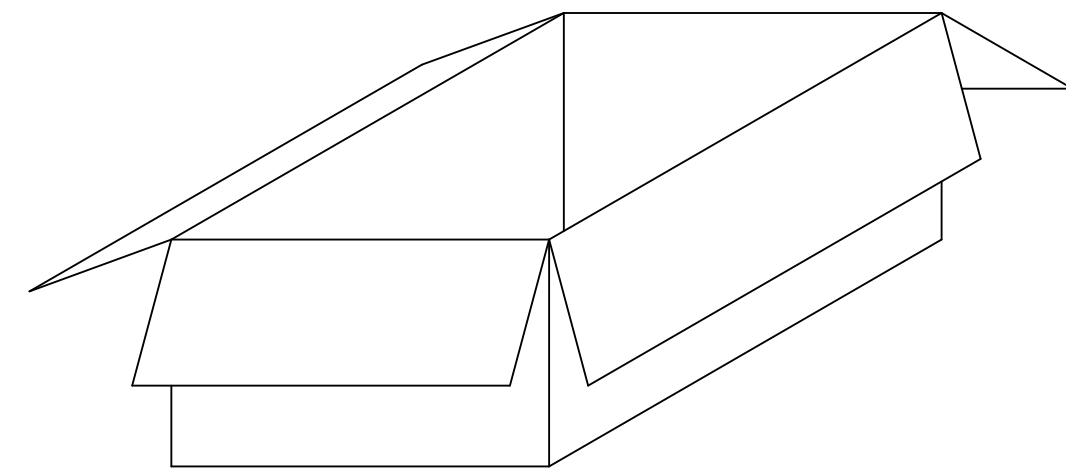
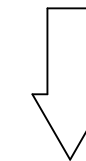
|   |              |  |                        |
|---|--------------|--|------------------------|
| DIMENSION STYLE   | SCALE        | DESIGN UNITS   | THIRD ANGLE PROJECTION |
| MM/IN   |              | METRIC   |                        |
| DRAWN BY  | DATE         | TITLE  |                        |
| JLEE02  | 2010/02/19   | SMA JACK SWITCH 6 GHZ REVERSE POLARITY, PCB EWR-4275, SMA-J/SMT/RP |                        |
| CHECKED BY  | DATE         | MOLEX INCORPORATED   |                        |
| SSS   | 2010/02/19   |  |                        |
| APPROVED BY   | DATE         |  |                        |
| JWIENER   | 2010/07/12   |  |                        |
| MATERIAL NO.  | DOCUMENT NO. | SHEET NO.  |                        |
| SEE SHEET1  | SD-73253-017 | 2 OF 3   |                        |
| THIS DRAWING CONTAINS INFORMATION THAT IS PROPRIETARY TO MOLEX INCORPORATED AND SHOULD NOT BE USED WITHOUT WRITTEN PERMISSION |              |  |                        |

360 mm REF. \* 170 mm REF.



54 PCS PER ONE TRAY

10 TRAYS (540 PCS) IN ONE INNER CARTON BOX



2 INNER CARTON (1080 PCS) IN OUTER CARTON BOX

|  |  |                    |   |                                       |                              |                     |  |       |              |                        |
|--|--|--------------------|---|---------------------------------------|------------------------------|---------------------|--|-------|--------------|------------------------|
| SEE SHEET 1<br>EC NO: URF2011-0016<br>DRWN: JLEE02<br>CHKD: SSS<br>APPR: JWIENER | 2010/07/12<br>2010/02/19<br>2010/07/12 | DESCRIPTION<br>REV | QUALITY SYMBOLS   | GENERAL TOLERANCES (UNLESS SPECIFIED) |                              | DIMENSION STYLE     |  | SCALE | DESIGN UNITS | THIRD ANGLE PROJECTION |
|  |  |                    | = 0<br>= 0  | mm                                    | INCH                         | MM/IN               | METRIC   |       |              |                        |
|  |  |                    | 4 PLACES ± --- ± ---<br>3 PLACES ± --- ± ---<br>2 PLACES ± --- ± ---<br>1 PLACE ± --- ± ---                                   | DRAWN BY<br>JLEE02                    | DATE<br>2010/02/19           | TITLE               | SMA JACK SWITCH 6 GHZ<br>REVERSE POLARITY, PCB<br>EWR-4275, SMA-J/SMT/RP |       |              |                        |
|  |  |                    | ANGULAR ± 2 °   | CHECKED BY<br>SSS                     | DATE<br>2010/02/19           | MOLEX INCORPORATED  |  |       |              |                        |
| A1   |  |                    | DRAFT WHERE APPLICABLE<br>MUST REMAIN<br>WITHIN DIMENSIONS  | MATERIAL NO.<br>SEE SHEET 1           | DOCUMENT NO.<br>SD-73253-017 | SHEET NO.<br>3 OF 3 |  |       |              |                        |
|  |  |                    | THIS DRAWING CONTAINS INFORMATION THAT IS PROPRIETARY TO MOLEX INCORPORATED AND SHOULD NOT BE USED WITHOUT WRITTEN PERMISSION |                                       |                              |                     |  |       |              |                        |