

13 12 11 10 9 8 7 6 5 4 3 2 1

J

MATERIAL AND FINISHES:
 BODY: BRASS, TRI-M3
 COUPLING NUT: BRASS, NICKEL PLATING
 CENTER CONTACT, PIN: BRASS, SILVER
 PLATING
 SOCKET: PHOSPHOR BRONZE SILVER
 PLATING
 INSULATOR: TEFLON
 GASKET: SILICONE RUBBER

I

H

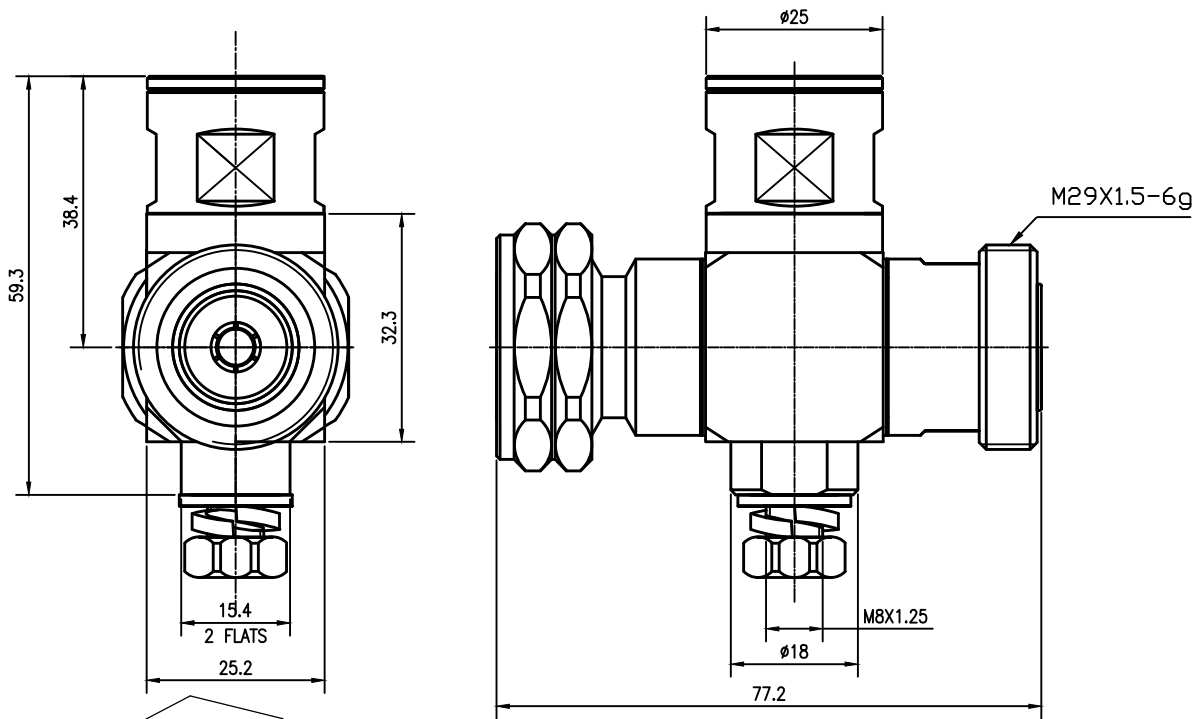
PERFORMANCE:
 FREQUENCY RANGE: 800-2500 MHz
 IMPEDANCE : 50 Ohm
 V.S.W.R: <1.2 FROM 800 TO 2500MHz
 (TYPICAL <1.1 FROM 800 TO 960MHz
 <1.12 FROM 1700 TO 2200MHz
 <1.16 OVER REST OF BAND)

G

INSERTION LOSS: <0.1dB (TYPICAL <0.05)
 PIM3: <-153 dBc, 2x43dBm
 IP CLASS: IP67
 MAX. DISCHARGE CURRENT:
 20KA@8/20<Micro>S WAVE
 RESIDUAL VOLTAGE:
 <15V@1KV/<Micro>S

F

E



D

C

PART #. 73136-0000

PRE-RELEASE
 REFERENCE
 USE ONLY

B

A

QUALITY SYMBOLS	GENERAL TOLERANCES (UNLESS SPECIFIED)		DIMENSION STYLE		SCALE	DESIGN UNITS	THIRD ANGLE PROJECTION
			MM/IN		2:1	METRIC	
▽=0	4 PLACES	MM	INCH	DRAWN BY	DATE	TITLE	
▽=0	3 PLACES	±0.05		CZHU03	2009/12/30	ARRESTER 7/16M-7/16F	
	2 PLACES	±0.1		CHECKED BY	DATE	800-2500, 20KA, IP68	
	1 PLACE	±0.1		MANDY XU	2009/12/30		
	ANGULAR ± 2°			APPROVED BY	DATE	MOLEX INCORPORATED	
	DRAFT WHERE APPLICABLE MUST REMAIN WITHIN DIMENSIONS			Andy Hu	2009/12/30	MOLEX INCORPORATED	
				MATERIAL NO.	DOCUMENT NO.	SHEET NO.	
				731360000	SD-73136-000	1 OF 1	
				SIZE C	THIS DRAWING CONTAINS INFORMATION THAT IS PROPRIETARY TO MOLEX INCORPORATED AND SHOULD NOT BE USED WITHOUT WRITTEN PERMISSION		

12 11 10 9 8 7 6 5 4 3 2 1