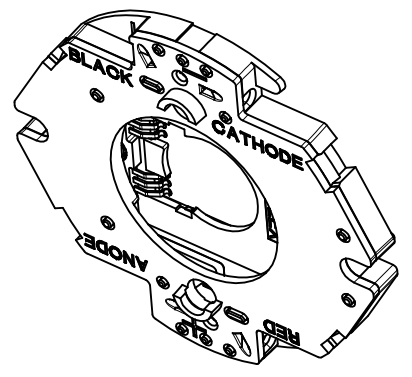
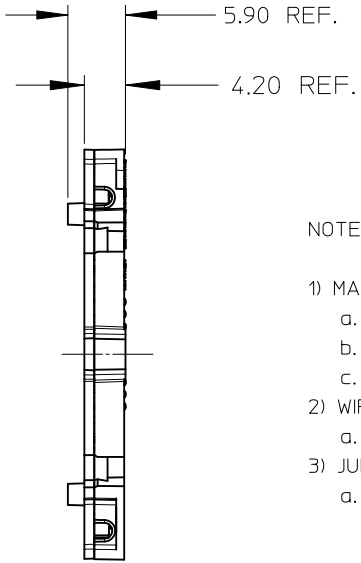
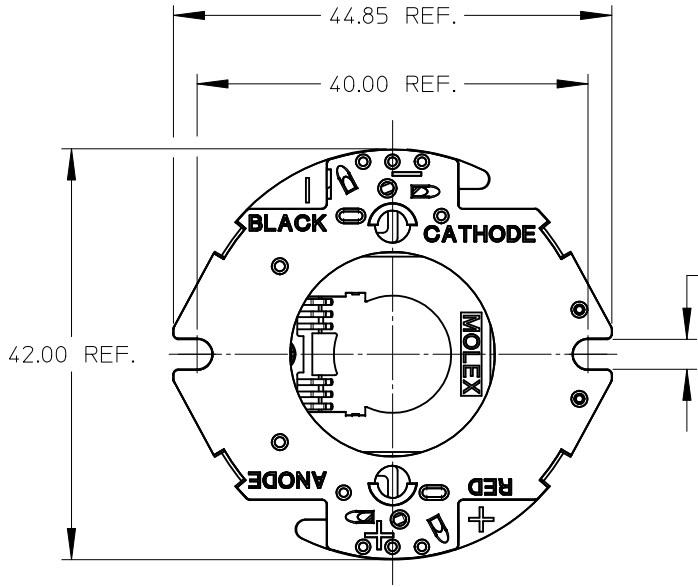
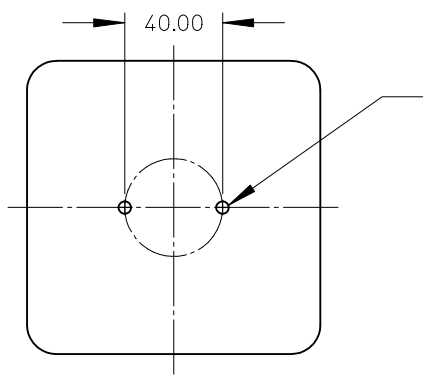


PART NUMBER	DESCRIPTION	SEE SHEET
180160-0000	HOLDER WITHOUT LENS - WIRED IN PARALLEL	2
180160-0001	HOLDER WITH LENS - WIRED IN PARALLEL	2
180160-0002	HOLDER WITHOUT LENS - WIRED IN SERIES	3
180160-0003	HOLDER WITH LENS - WIRED IN SERIES	3
N/A	REFLECTOR OPTION	4



NOTES:

- 1) MATERIALS:
  - a. HOUSING: BLACK COLOR PA6/6T NYLON 35% GF/MF UL94HB
  - b. COVER: CLEAR PC POLYCARBONATE UF UL94HB
  - c. JUMPER: NATURAL COLOR PBT POLYESTER 30% GF UL94V-0
- 2) WIRE TRAP TERMINALS: COPPER ALLOY
  - a. FINISH: SILVER OVER NICKEL
- 3) JUMPER TERMINALS: PHOSPHOR BRONZE
  - a. FINISH 0.25-0.50 MICRONS (10-20μ in.) SELECTIVE HARD GOLD IN CONTACT AREA  
2.50 MICRONS (100μ in.) MINIMUM SELECTIVE TIN  
1.25-2.50 MICRONS (50-100μ in.) NICKEL ALL OVER
- 4) THIS PRODUCT IS ELV AND ROHS COMPLIANT
- 5) APPLICABLE WIRE GAUGE - 18 OR 20 AWG
  - a. SOLID WIRE IS RECOMMENDED
  - b. IF STRANDED WIRE IS USED, PRE-TINNED IS RECOMMENDED
  - c. 1 cm STRIP LENGTH IS RECOMMENDED.
- 6) MOUNT HOLDER USING M3 OR 4-40 SCREWS (2), 0.8 NEWTON METERS MAX TORQUE

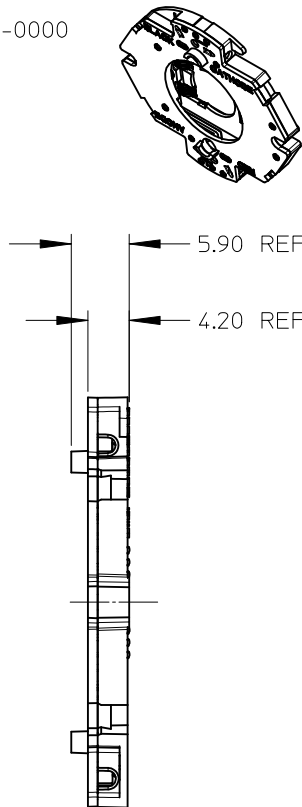
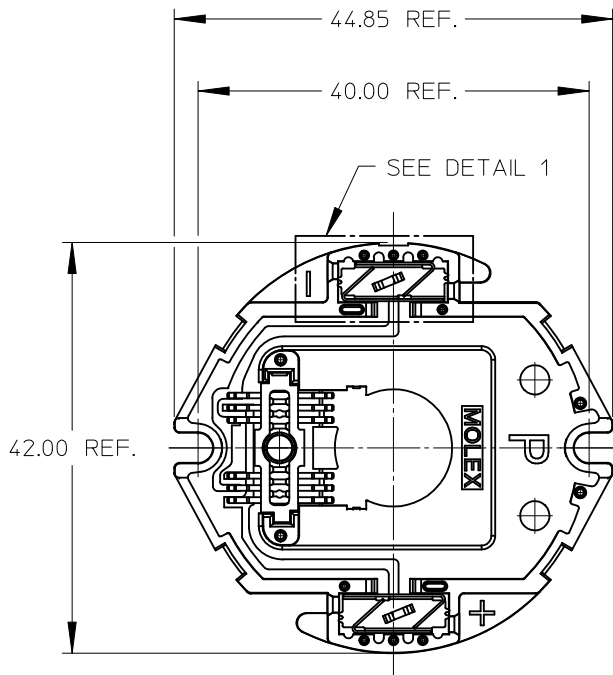


M3 OR 4-40 TAPPED HOLES (2)  
TORQUE SCREWS 0.8 NEWTON METERS MAX.

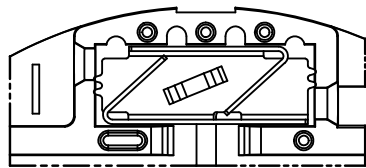
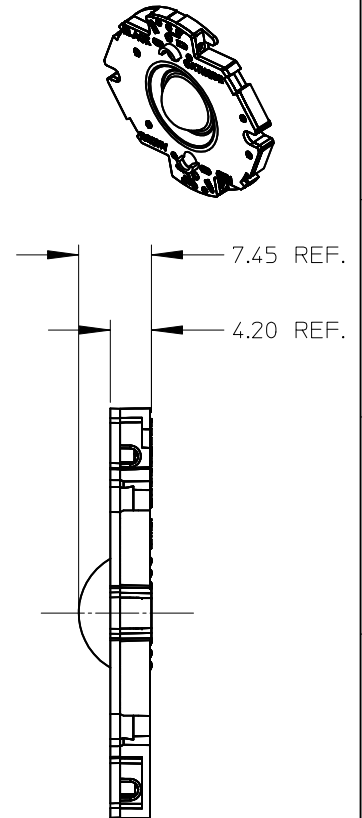
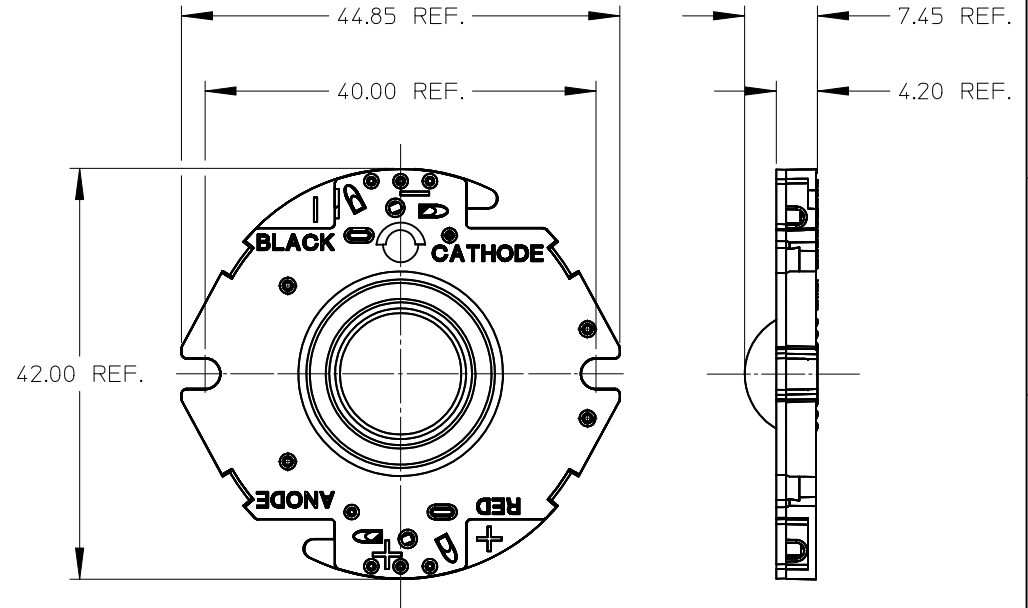
RECOMMENDED MOUNTING DIMENSIONS (NTS)

<b>ENTER DESCRIPTION</b> EC NO: SSL2011-0047 DRAWN: JAKLIC 2011/01/25 CHKD: JAKLIC APPR: DMCGOWAN 2011/01/26 REV: A	<b>QUALITY SYMBOLS</b> ▽=0 ▽=0 ▽=0	<b>GENERAL TOLERANCES (UNLESS SPECIFIED)</b>		<b>DIMENSION STYLE</b> <b>MM ONLY</b>		<b>SCALE</b> 2:1	<b>DESIGN UNITS</b> METRIC	<b>THIRD ANGLE PROJECTION</b>	
		4 PLACES ± --- ± ---	mm INCH	DRAWN BY CCARRANZA	DATE 2010/10/07	<b>TITLE</b> CREE MP-L EASY WHITE LED HOLDER			
		3 PLACES ± --- ± ---		CHECKED BY	DATE	<b>MOLEX INCORPORATED</b>			
		2 PLACES ± 0.13 ± ---		APPROVED BY DMCGOWAN	DATE 2010/11/23	<b>DOCUMENT NO.</b> SD-180160-000	<b>SHEET NO.</b> 1 OF 4		
1 PLACE ± 0.25 ± ---		ANGULAR ± 1/2°		<b>SEE CHART</b>		THIS DRAWING CONTAINS INFORMATION THAT IS PROPRIETARY TO MOLEX INCORPORATED AND SHOULD NOT BE USED WITHOUT WRITTEN PERMISSION			
DRAFT WHERE APPLICABLE MUST REMAIN WITHIN DIMENSIONS				SIZE B					

LED HOLDER WIRED IN PARALLEL PART NUMBER 180160-0000  
(COVER REMOVED FROM FRONT VIEW FOR CLARITY)



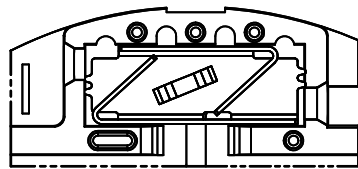
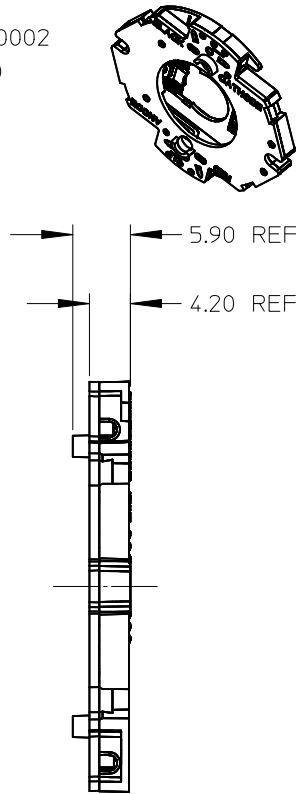
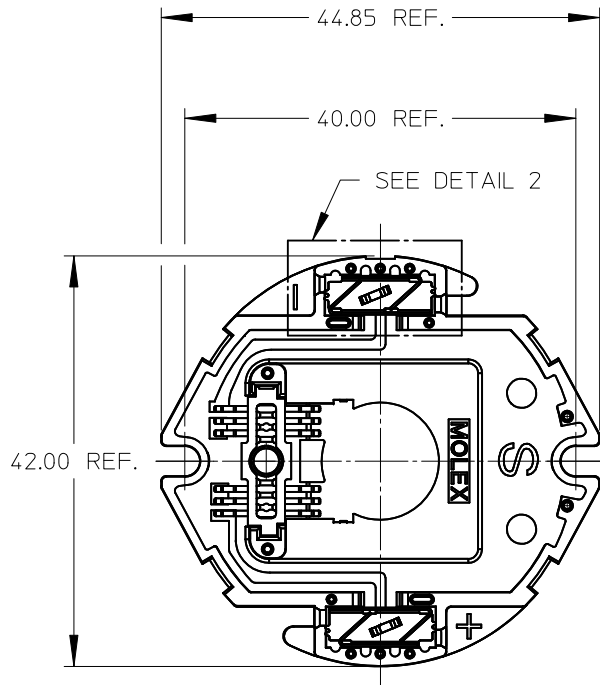
LED HOLDER WITH OPTIONAL CLEAR COVER LENS  
WIRED IN PARALLEL PART NUMBER 180160-0001



VIEW OF TWO-WAY WIRE TRAP  
WIRE TRAPS WILL ACCOMODATE  
EITHER 18 OR 20 GAUGE WIRE  
DETAIL 1 SCALE 4:1

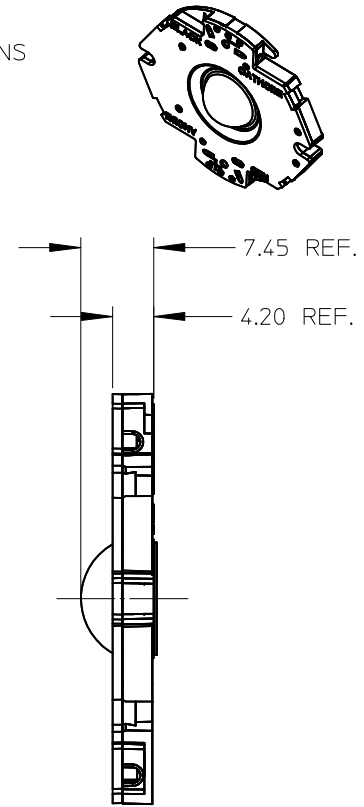
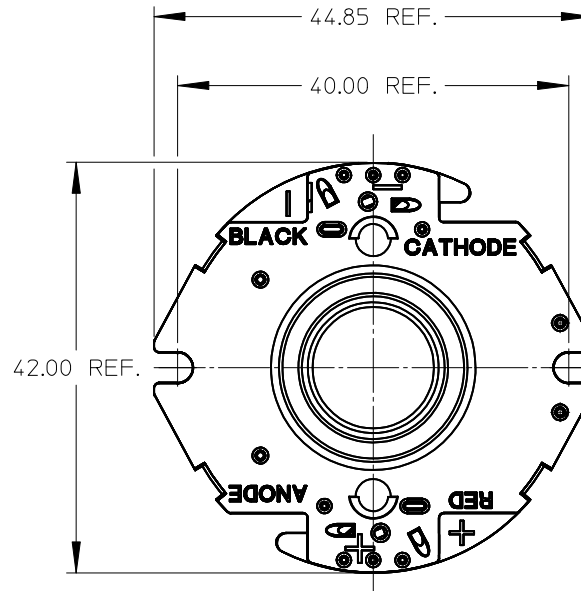
<b>ENTER DESCRIPTION</b> EC NO: SSL2011-0047 DRAWN: JAKLIC 2011/01/25 CHKD: APPR: DMCGOWAN 2011/01/26 REV A	<b>QUALITY SYMBOLS</b> $\nabla F=0$ $\nabla E=0$ $\nabla F=0$	<b>GENERAL TOLERANCES (UNLESS SPECIFIED)</b> <table border="1"> <tr> <th></th> <th>mm</th> <th>INCH</th> </tr> <tr> <td>4 PLACES</td> <td><math>\pm</math>---</td> <td><math>\pm</math>---</td> </tr> <tr> <td>3 PLACES</td> <td><math>\pm</math>---</td> <td><math>\pm</math>---</td> </tr> <tr> <td>2 PLACES</td> <td><math>\pm</math>0.13</td> <td><math>\pm</math>---</td> </tr> <tr> <td>1 PLACE</td> <td><math>\pm</math>0.25</td> <td><math>\pm</math>---</td> </tr> </table>		mm	INCH	4 PLACES	$\pm$ ---	$\pm$ ---	3 PLACES	$\pm$ ---	$\pm$ ---	2 PLACES	$\pm$ 0.13	$\pm$ ---	1 PLACE	$\pm$ 0.25	$\pm$ ---	<b>DIMENSION STYLE</b> MM ONLY DRAWN BY: CCARRANZA DATE: 2010/10/07 CHECKED BY: DATE:	SCALE: 2:1 DESIGN UNITS: METRIC THIRD ANGLE PROJECTION	TITLE: CREE MP-L EASY WHITE LED HOLDER
		mm	INCH																	
	4 PLACES	$\pm$ ---	$\pm$ ---																	
	3 PLACES	$\pm$ ---	$\pm$ ---																	
2 PLACES	$\pm$ 0.13	$\pm$ ---																		
1 PLACE	$\pm$ 0.25	$\pm$ ---																		
DRAFT WHERE APPLICABLE MUST REMAIN WITHIN DIMENSIONS	SEE CHART	APPROVED BY: DMCGOWAN DATE: 2010/11/23 MATERIAL NO.	MOLEX INCORPORATED DOCUMENT NO. SD-180160-000	SHEET NO. 2 OF 4																
THIS DRAWING CONTAINS INFORMATION THAT IS PROPRIETARY TO MOLEX INCORPORATED AND SHOULD NOT BE USED WITHOUT WRITTEN PERMISSION																				

LED HOLDER WIRED IN SERIES PART NUMBER 180160-0002  
(COVER REMOVED FROM FRONT VIEW FOR CLARITY)



VIEW OF TWO-WAY WIRE TRAP  
WIRE TRAPS WILL ACCOMODATE  
EITHER 18 OR 20 GAUGE WIRE  
DETAIL 2 SCALE 4:1

LED HOLDER WITH OPTIONAL CLEAR COVER LENS  
WIRED IN SERIES PART NUMBER 180160-0003

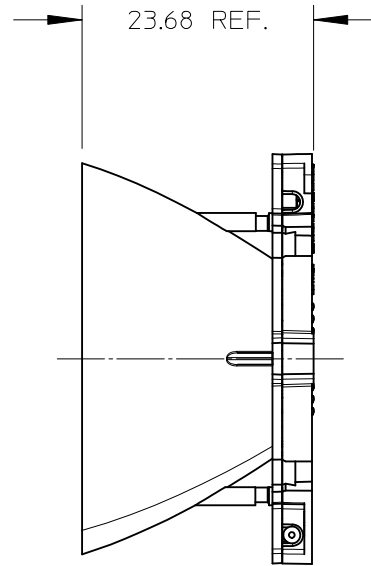
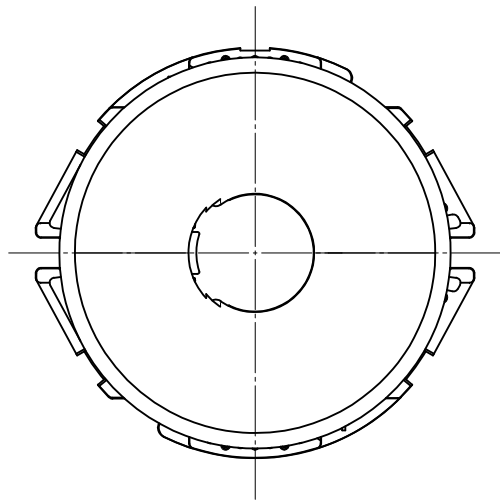
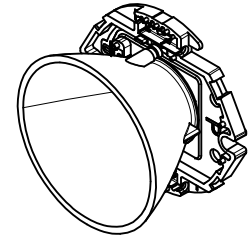


<b>ENTER DESCRIPTION</b> EC NO: SSL2011-0047 DRAWN: JAKLIC 2011/01/25 CHKD: APPR:DMCGOWAN 2011/01/26 REV A	QUALITY SYMBOLS $\nabla=0$ $\nabla=0$ $\nabla=0$	GENERAL TOLERANCES (UNLESS SPECIFIED) mm INCH 4 PLACES ± --- ± --- 3 PLACES ± --- ± --- 2 PLACES ± 0.13 ± --- 1 PLACE ± 0.25 ± --- ANGULAR ± 1/2°	DIMENSION STYLE MM ONLY DRAWN BY: CCARRANZA DATE: 2010/10/07 CHECKED BY: DATE: APPROVED BY: DMCGOWAN DATE: 2010/11/23 MATERIAL NO.	SCALE: 2:1 DESIGN UNITS: METRIC THIRD ANGLE PROJECTION	TITLE: CREE MP-L EASY WHITE LED HOLDER
	DRAFT WHERE APPLICABLE MUST REMAIN WITHIN DIMENSIONS		SEE CHART	MOLEX INCORPORATED DOCUMENT NO. SD-180160-000	SHEET NO. 3 OF 4
	THIS DRAWING CONTAINS INFORMATION THAT IS PROPRIETARY TO MOLEX INCORPORATED AND SHOULD NOT BE USED WITHOUT WRITTEN PERMISSION				
	THIS DRAWING CONTAINS INFORMATION THAT IS PROPRIETARY TO MOLEX INCORPORATED AND SHOULD NOT BE USED WITHOUT WRITTEN PERMISSION				

10 9 8 7 6 5 4 3 2 1

SHOWN WITH OPTIONAL LEDIL REFLECTOR AND  
MOLEX CLEAR COVER (P/N 180162-0002)

LEDIL REFLECTOR SOLD SEPARATELY @ [www.ledil.com](http://www.ledil.com)



<b>ENTER DESCRIPTION</b> EC NO: SSL2011-0047 DRAWN BY: JAKLIC 2011/01/25 CHKD: DMCOWAN APPR: DMCOWAN 2011/01/26 REV A	QUALITY SYMBOLS ▽=0 ▽=0 ▽=0	GENERAL TOLERANCES (UNLESS SPECIFIED) <table border="1"> <thead> <tr> <th></th> <th>mm</th> <th>INCH</th> </tr> </thead> <tbody> <tr> <td>4 PLACES</td> <td>±---</td> <td>±---</td> </tr> <tr> <td>3 PLACES</td> <td>±---</td> <td>±---</td> </tr> <tr> <td>2 PLACES</td> <td>±0.13</td> <td>±---</td> </tr> <tr> <td>1 PLACE</td> <td>±0.25</td> <td>±---</td> </tr> </tbody> </table> ANGULAR ±1/2°		mm	INCH	4 PLACES	±---	±---	3 PLACES	±---	±---	2 PLACES	±0.13	±---	1 PLACE	±0.25	±---	DIMENSION STYLE <b>MM ONLY</b> DRAWN BY: CCARRANZA DATE: 2010/10/07 CHECKED BY: [ ] DATE: [ ] APPROVED BY: DMCOWAN DATE: 2010/11/23 MATERIAL NO. [ ]	SCALE <b>1:1</b> DESIGN UNITS <b>METRIC</b> THIRD ANGLE PROJECTION	TITLE <b>CREE MP-L EASY WHITE LED HOLDER</b>
		mm	INCH																	
	4 PLACES	±---	±---																	
	3 PLACES	±---	±---																	
2 PLACES	±0.13	±---																		
1 PLACE	±0.25	±---																		
DRAFT WHERE APPLICABLE MUST REMAIN WITHIN DIMENSIONS	SEE CHART	MOLEX INCORPORATED	DOCUMENT NO. <b>SD-180160-000</b>	SHEET NO. <b>4 OF 4</b>																
THIS DRAWING CONTAINS INFORMATION THAT IS PROPRIETARY TO MOLEX INCORPORATED AND SHOULD NOT BE USED WITHOUT WRITTEN PERMISSION																				

9 8 7 6 5 4 3 2 1