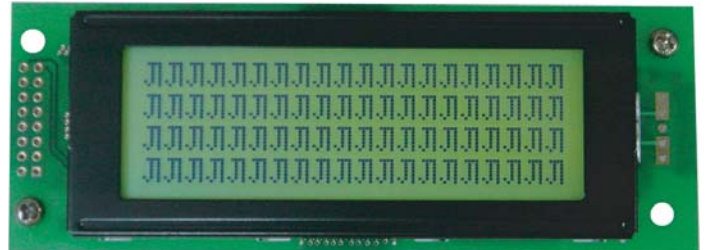


# BC2004C



## Feature

1. COB with metal frame
2. 5x7 dots with cursor
3. Built-in controller KS0066 or equivalent
4. + 5V single power supply
5. 1/16 duty cycle
6. LED B/L pins: A/K, or 1/2
7. Option: LED array / EL B/L



## Mechanical Data

Item	Standard Value	Unit
Module Dimension	118.0 x 43.0	mm
Viewing Area	77.0 x 25.2	mm
Dot Size	0.55 x 0.55	mm
Character Size	2.95 x 4.75	mm

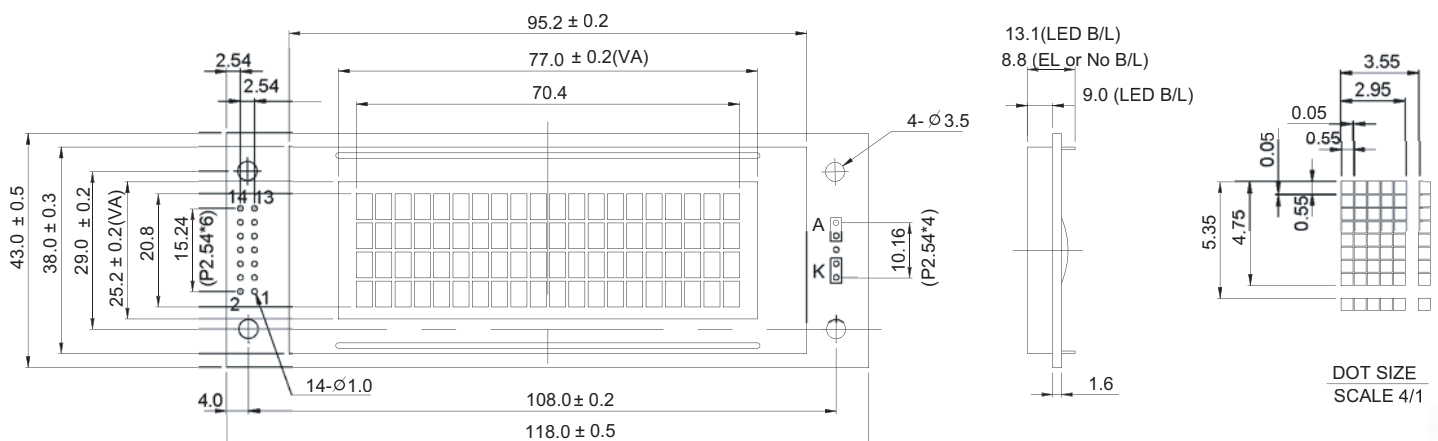
## Pin Assignment

Pin	Symbol	Function
1	Vss	GND
2	Vdd	+5V
3	Vo	Contrast adjustment
4	RS	H/L register select signal
5	R/W	H/L read/write signal
6	E	H --> L enable signal
7~14	DB0~7	H/L data bus line
15	A	LED Power V+
16	K	LED Power V-

## Electronic Characteristics

Item	Symbol	Condition	Typical Value	Unit
Input Voltage	Vdd	Vdd = +5V	5.0	V
Supply Current	Idd	Vdd = +5V	1.6	mA
LCD Driving Voltage	Vdd-Vo	25°C	4.5	V
LED Forward Voltage	Vf	25°C	4.2	V
LED Forward Current	If	25°C	280	mA
EL Power Voltage	Vel	Vel=110Vac/400Hz		V

## Dimension



DOT SIZE  
SCALE 4/1