

# BC1602B



## Feature

1. COB with metal frame
2. 5x7 dots with cursor
3. Built-in controller KS0066 or equivalent
4. + 5V single power supply
5. 1/16 duty cycle
6. LED B/L pins:A/K, or 1/2
7. Option: LED array/ edge B/L, EL B/L
8. Option: +3V single power supply
9. Option: negative voltage (built-in, external)
10. **Option: LCD Vop fix on 5V (-20°C~+70°C)**

## Mechanical Data

Item	Standard Value	Unit
Module Dimension	85.0 x 30.0	mm
Viewing Area	66.0 x 16.0	mm
Dot Size	0.56 x 0.66	mm
Character Size	2.96 x 5.56	mm

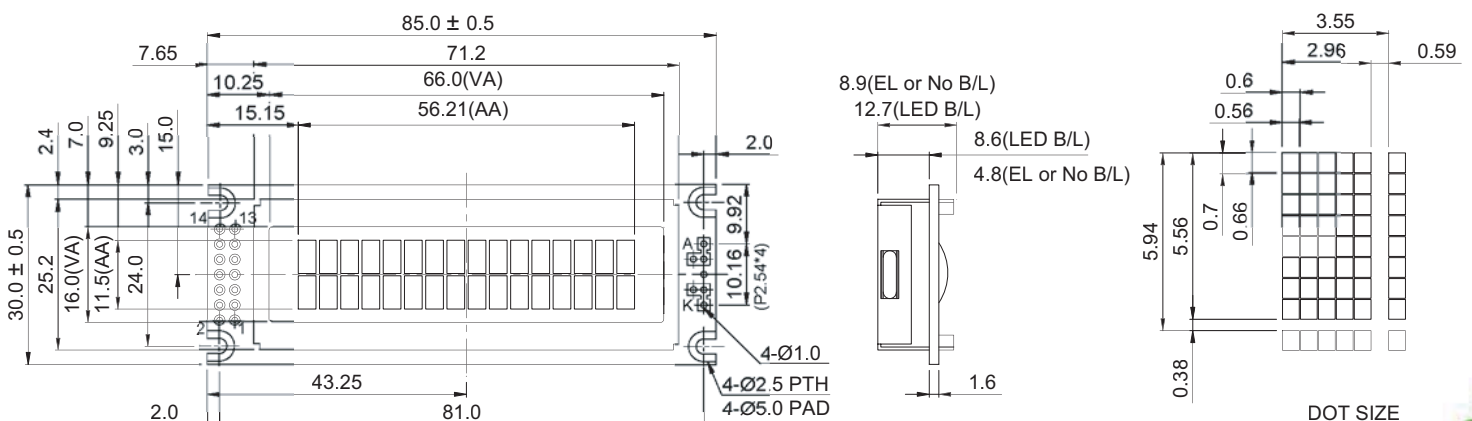
## Pin Assignment

Pin	Symbol	Function
1	Vdd	+5V(+3V option)
2	Vss	GND
3	Vo	Contrast adjustment
4	RS	H/L register select signal
5	R/W	H/L read/write signal
6	E	H --> L enable signal
7~14	DB0~7	H/L data bus line

## Electronic Characteristics

Item	Symbol	Condition	Value	Unit
Input Voltage	Vdd	Vdd = +5V	5.0	V
Supply Current	Idd	Vdd = +5V	1.2	mA
LCD Driving Voltage	Vdd-Vo		TYP	Option
		70°C	3.6	5.0
		25°C	4.0	5.0
		-20°C	5.0	5.0
LED Forward Voltage	Vf	25°C	4.2	V
Array LED Forward Current	If	25°C	100	mA
EL Power Voltage	Vel	Vel=110Vac/400Hz		V

## Dimension



DOT SIZE  
SCALE 5/1