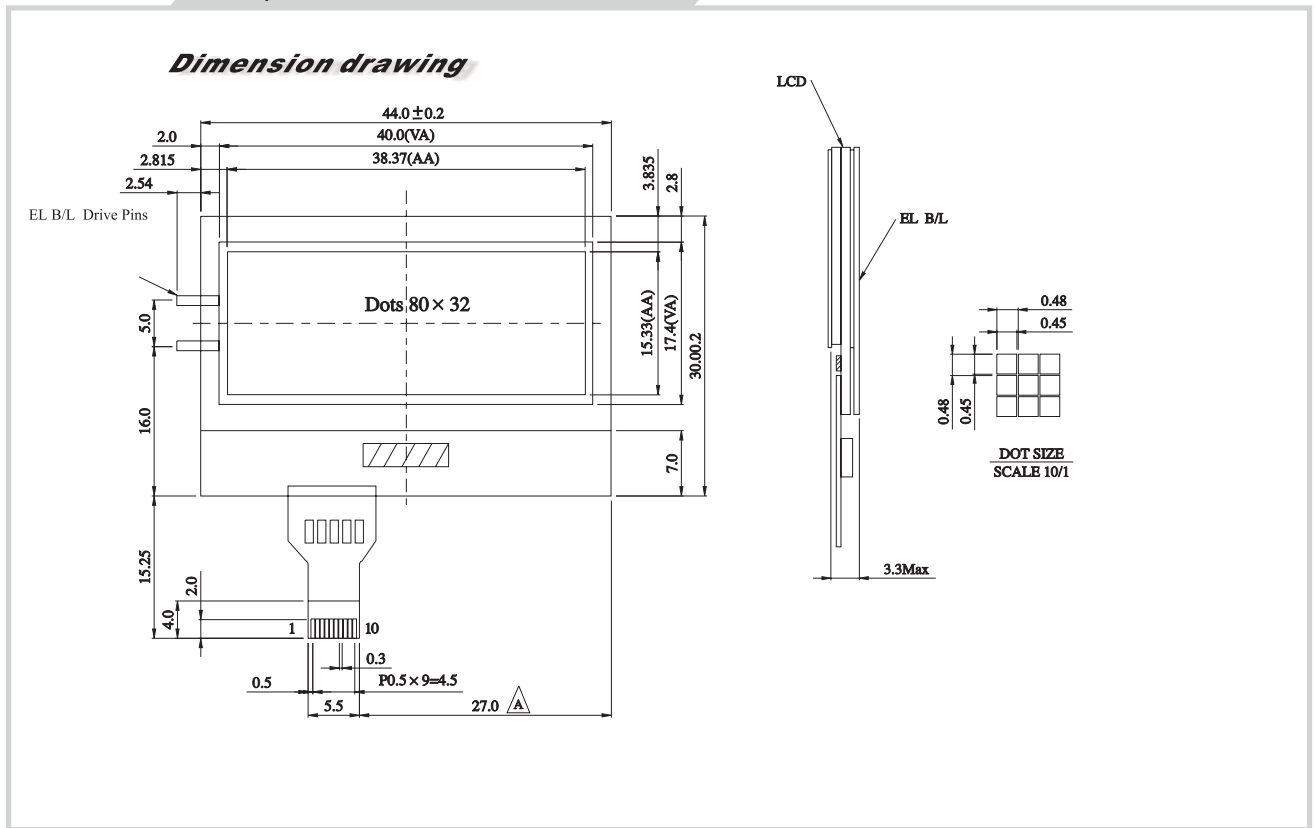




Graphic 80 x32dots **WX8032A**



Graphic type

Feature

- 1.SAMSUNG KSO713COG IC
- 2.1/32 duty
- 3.built in booster

Pin NO.	Symbol	Function
1	Vss	GND
2	Vdd	+3V
3	RESET	Resect the LCM
4	RS	Data/Instruction
5	R/W	H: read data L=write data
6	E	Enable Signal
7	SID	Serial data input
8	SCLK	Data bus line
9	CS	Chip Enable
10	NC	NO connection

Mechanical Data

Item	Standard Value	Unit
Module Dimension	44.0x30.0	mm
Viewing Area	40.0x17.4	mm
Dot Pitch	0.48x0.4	mm

Absolute Maximum Rating

Item	Symbol	Standard Value			Unit
		min.	typ.	max.	
Power Supply	VDD-VSS	2.4	3.0	3.6	V
Input Voltage	VI	0	---	VDD	V

Note : VSS=0 Volt, VDD=5.0 Volt.

Electronical Characteristics

Item	Symbol	Condition	Standard Value			Unit
			min.	typ.	max.	
Input Voltage	VDD	VDD=3V	2.4	3.0	3.6	V
Supply Current	IDD	VDD=3V	---	1.0	1.4	mA
Recommended LC Driving Voltage for Normal Temp. Version module	VDD-V0	-20°C	5.8	6.0	6.2	V
		0°C	5.6	5.8	6.0	
		25°C	5.4	5.6	5.8	
		70°C	4.8	5.0	5.2	
EL Power Supply Current	IEL	Vel=110VAC;400KHz	---	---	0.8	mA

