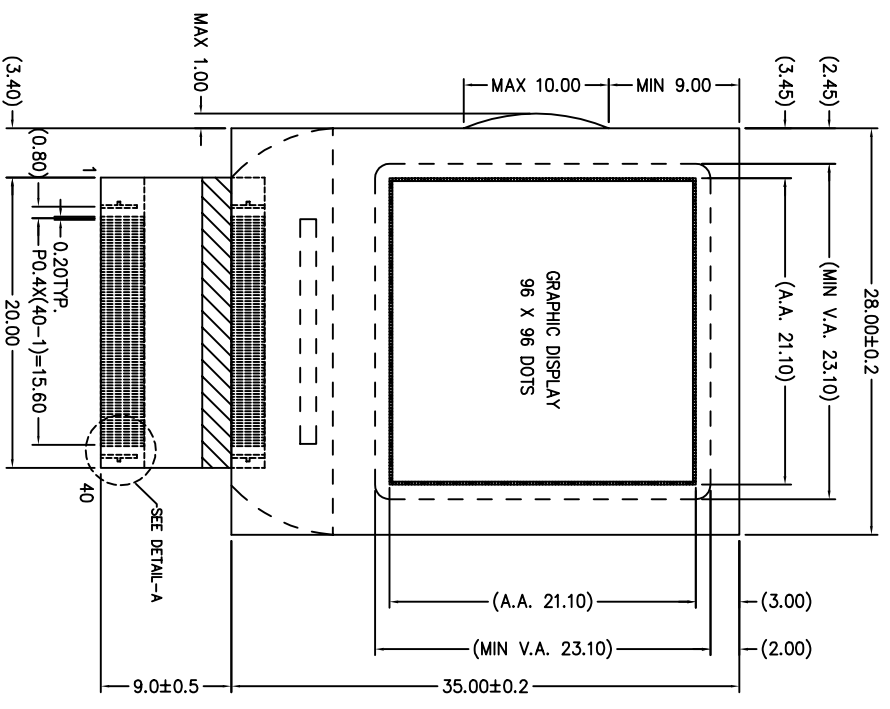
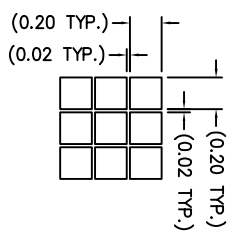
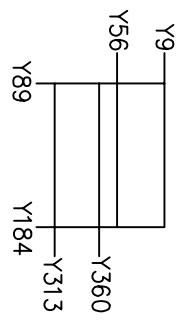
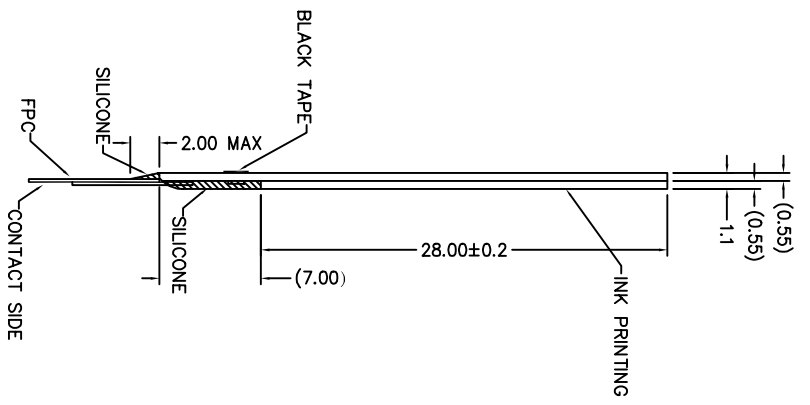


The information contained in this document is proprietary to VARRITRONIX LTD. and shall be protected from any reproduction in part or as a whole without Varritronix's written approval.

(DOT SIZE FOR CUSTOMER REFERENCE)



1	2	3	4	5	6	7	8	9	10
NC	NC	NC	NC	NC	NC	V0R	V1R	V2R	V3R
11	12	13	14	15	16	17	18	19	20
V4R	V5R	D17	D16	D15	D14	D13	D12	D11	D10
21	22	23	24	25	26	27	28	29	30
VSS	VDD	FP	LP	FR	XCK	MID	DISPOFF	V5L	V4L
31	32	33	34	35	36	37	38	39	40
V3L	V2L	V1L	V0L	NC	NC	NC	NC	NC	NC



(DOT CONNECTION)

DISPLAY TYPE	BCD, BLUE/WHITE
DISPLAY RESOLUTION	96 X 96 DOTS
VIEWING ANGLE	ALL ANGLE
MUX RATIO	BCD DRIVING SCHEME
LCD DRIVER	SP1DR04A
LOGIC VOLTAGE (V)	3V
LCD DRIVING VOLTAGE	TBD
OPERATION TEMPERATURE	0°C to +50°C
STORAGE TEMPERATURE	-20°C to +70°C
REMARK	

TITLE: PRELIMINARY SPECIFICATION OF MODULE
PROJECT NO.: COG-BCD9696

TOLERANCE UNLESS OTHERWISE SPECIFIED:	X.X ±0.3
	X.XX ±0.1
DIMENSIONS IN MM	ANGULAR: ±1°
MATERIAL: N/A	FINISH: N/A
SCALE: 1:1	THICK: N/A

THIRD ANGLE PROJECTION	
DRAWN:	CHAN KAM FAI
CHECKED:	DANIEL POON
DATE:	06.02.20
APPROVED:	K.P.HO

DESCRIPTION: COG-BCD9696
 FILE NO.: COG COG-BCD9696 REV: 0
 SHEET 1 OF 1

- NOTES:**
1. SPECIAL CHARACTERISTIC
 2. SAFETY CHARACTERISTIC
 3. CRITICAL DIMENSION
 4. REFERENCE DIMENSION



VARRITRONIX LIMITED