

**Introducing  
High Power  
Terminal Block  
15.0mm Pitch**

# High Power Terminal Block 15.0mm Pitch

## KEY FEATURES

- Screw termination
- Side wire entry
- 15.0mm pin spacing
- Molded to size

## DESCRIPTION

High Power Terminal Block. One piece design, printed circuit board mount block on 15.0mm pin spacing, rated for up to 125 amps

## APPLICATIONS

Instances where very high current must be brought on the PCB. Including both field and factory wiring applications such as:

- Power Supplies
- Variable Frequency Drives
- Motor Controls

## ELECTRICAL

UL rated for 600 volts, 125 amps

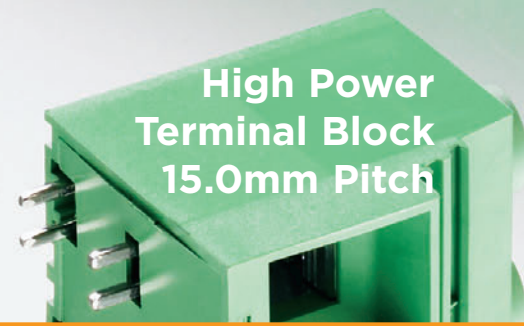
## MECHANICAL

Suggested screw torque is 30 in-lbs

Operating temperatures are -40° to 105° C

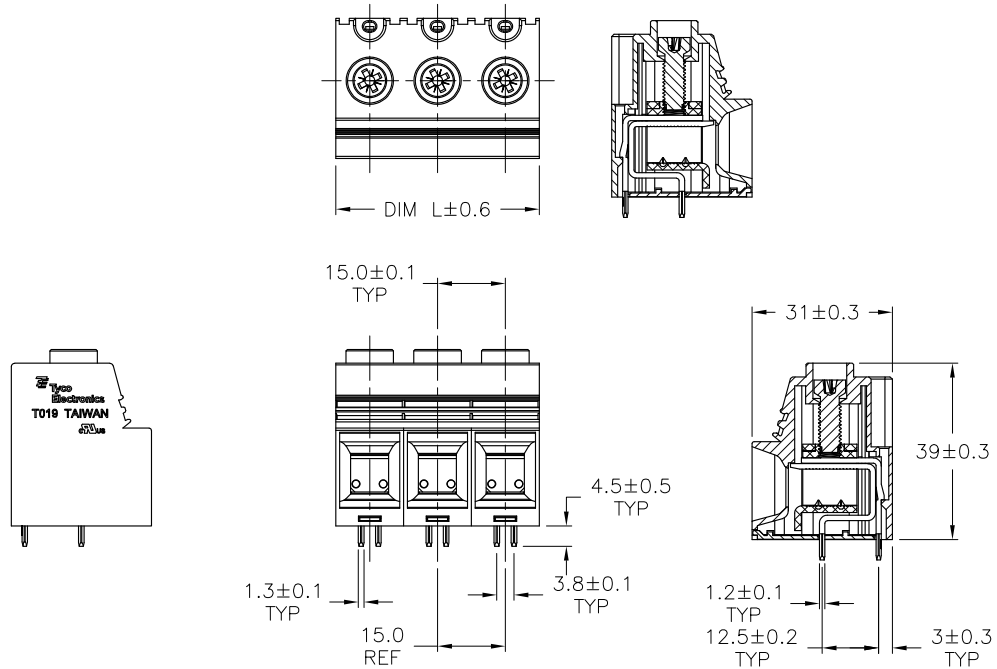
## MATERIALS

UL94V-0 rated Polyamide



**High Power  
Terminal Block  
15.0mm Pitch**

## PRODUCT DIMENSIONS



## PRODUCT OFFERING

- 1986242-2 2 position, green
- 1986242-3 3 position, green
- 1986242-4 4 position, green
- 1986242-5 5 position, green
- 1986242-6 6 position, green
- 1986242-7 7 position, green
- 1986242-8 8 position, green

## APPLICATION TOOLING

None required

## FOR MORE INFORMATION

### Technical Support

Internet:	<a href="http://www.tycoelectronics.com">www.tycoelectronics.com</a>
E-mail:	<a href="mailto:newproducts@tycoelectronics.com">newproducts@tycoelectronics.com</a>
USA:	1-800-522-6752
Canada:	1-905-470-4425
Mexico:	1-800-733-8926
C. America:	52-55-1106-0803
South America:	55-11-2103-6000
Hong Kong:	852-2735-1628
Japan:	81-44-844-8013
UK:	44-8706-080208

**Tyco Electronics Corporation**  
Harrisburg, PA

[tycoelectronics.com](http://tycoelectronics.com)

Copyright 2008 Tyco Electronics Corporation. All rights reserved.  
9-1773451-7 - 5k -MS/FP - 6/2008.  
TE Logo and Tyco Electronics are trademarks.



**Tyco Electronics**  
Our commitment. Your advantage.