

Tentative

Electric Double Layer Capacitor (Gold Capacitor)

High Reliability Capacitor

RF/RG Series (Tentative name)

Pb-Free
Comply with RoHS

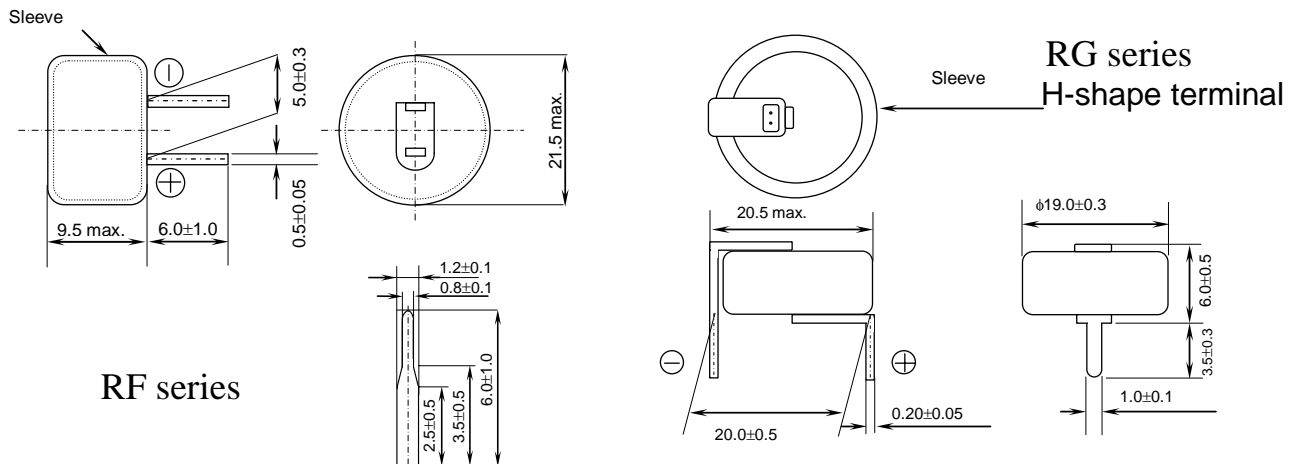
Features

High Reliability: 85°C, 2000h guarantee
mA order current can be discharged

Specifications

Item	Performance Characteristics		
1. Series	RG	RF	
2. Category temp. range	-25 to +85°C	-25 to +85°C	
3. Maximum operating voltage	3.6V DC	3.6V DC	5.5V DC
4. Nominal capacitance range	1.0F	0.68F	
5. Capacitance tolerance	-20 to +80%	-20 to +80%	
6. Internal resistance at 1kHz	20 Ω	20 Ω	
7. Endurance	After applying the maximum operating voltage for 2000 hours at +85°C, the capacitor shall meet the following limits.		
	Capacitance	±30% of initial measured value	
	Internal resistance	40Ω or less	30Ω or less
8. Shelf Life	After 2000hours storage at +85°C without load, the capacitor shall meet the specified limits for Endurance.		

Dimension in mm (not to scale)



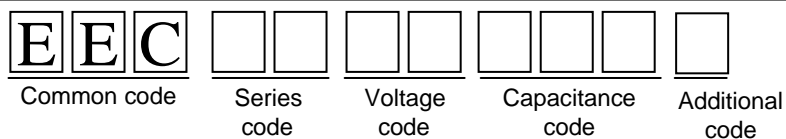
RF series

RG series
H-shape terminal

*V-shape terminal is available

P/N System

P/N	Series	Voltage	Capacitance
EECRG0V105H/V	RG	3.6	1.0
EECRF0V684	RF	3.6	0.68
EECRF0H684	RF	5.5	0.68



Additional code: V or H (in case of RG series)

T2007_2