

.250" PCB Tri-Barrier Terminal Blocks

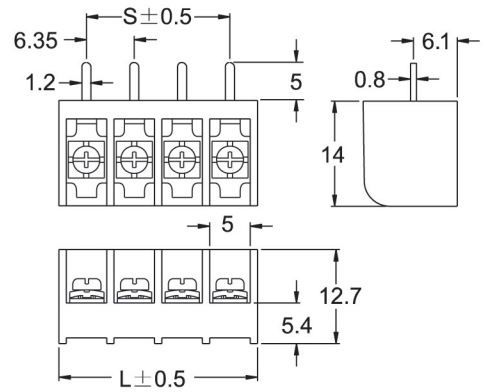
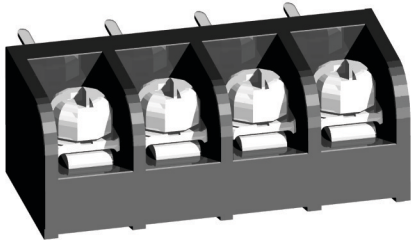
DECA[®]
SwitchLab

TYPE:T40

Pitch:6.35mm

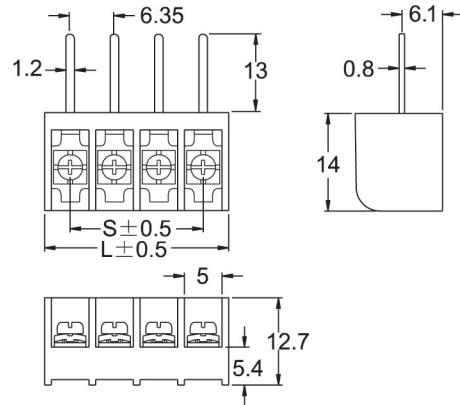
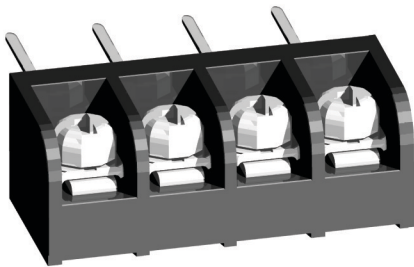
T40-BB11-04

Terminal style: B11



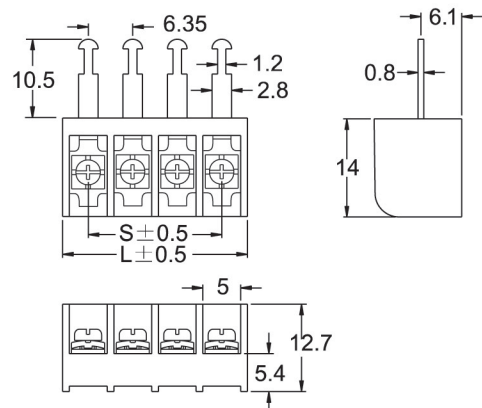
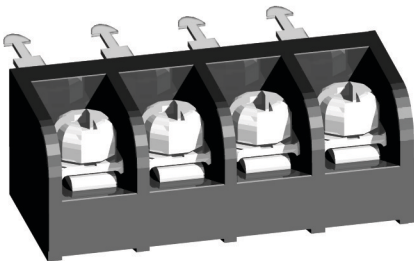
T40-BB13-04

Terminal style: B13



T40-BB41-04

Terminal style: B41



Poles	2	3	4	5	6	7	8	9	10	11	12	13	14	15	16
L(mm)	14.2	20.6	26.9	33.3	39.6	46.0	52.3	58.7	65.0	71.4	77.7	84.1	90.4	96.8	103
S(mm)	6.35	12.7	19.1	25.4	31.8	38.1	44.5	50.8	57.2	63.5	69.9	76.2	82.6	88.9	95.3
Poles	17	18	19	20	21	22	23	24	25	26	27	28	29	30	
L(mm)	110	116	122	129	135	141	148	154	160	167	173	179	186	192	
S(mm)	102	108	114	121	127	133	140	146	152	159	165	171	178	184	

.250" PCB Tri-Barrier Terminal Blocks

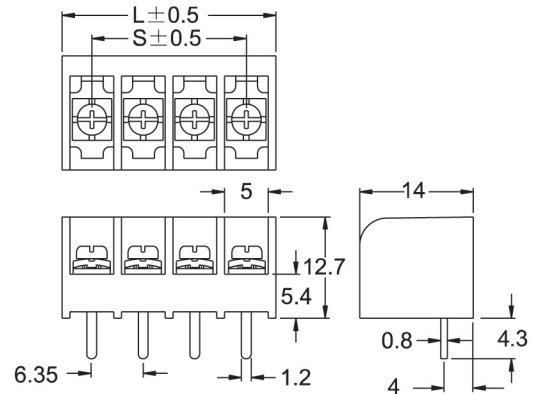
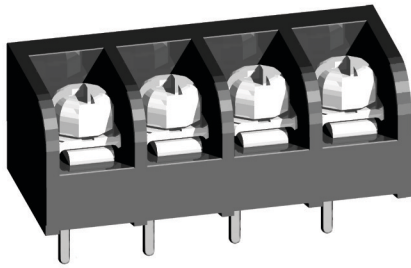
DECA[®]
SwitchLab

TYPE:T40

Pitch:6.35mm

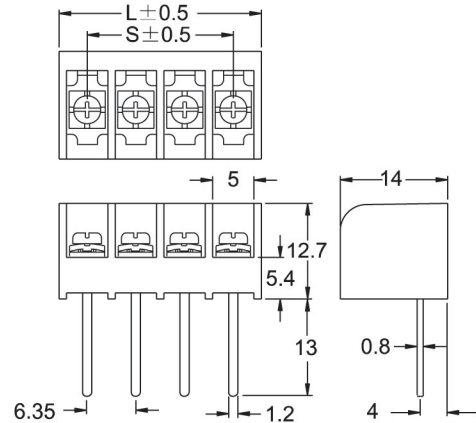
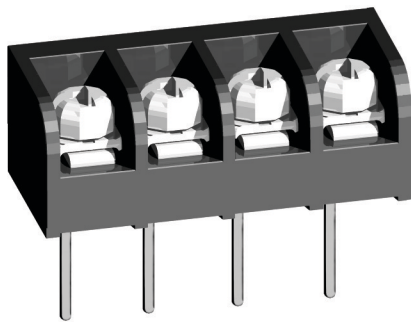
T40-BS16-04

Terminal style: S16



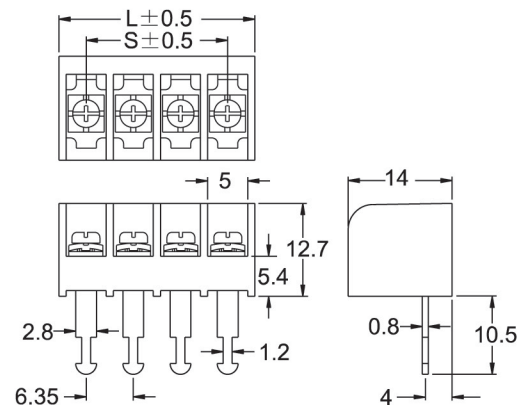
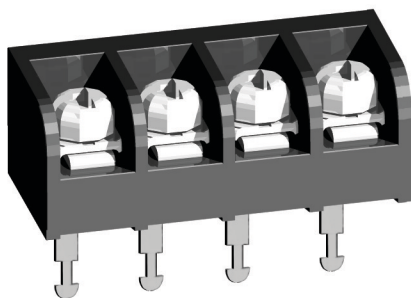
T40-BS13-04

Terminal style: S13



T40-BS41-04

Terminal style: S41



Poles	2	3	4	5	6	7	8	9	10	11	12	13	14	15	16
L(mm)	24.1	35.1	46.1	57.1	68.1	79.1	90.1	101	112	112	122	132	142	152	162
S(mm)	11.0	22.0	33.0	44.0	55.0	66.0	77.0	88.0	99.0	110	121	132	143	154	1650
Poles	17	18	19	20	21	22	23	24	25	26	27	28	29	30	
L(mm)	189	200	211	222	233	244	255	266	277	288	299	310	321	332	
S(mm)	176	187	198	209	220	231	242	253	264	275	286	297	308	319	

.250" PCB Tri-Barrier Terminal Blocks

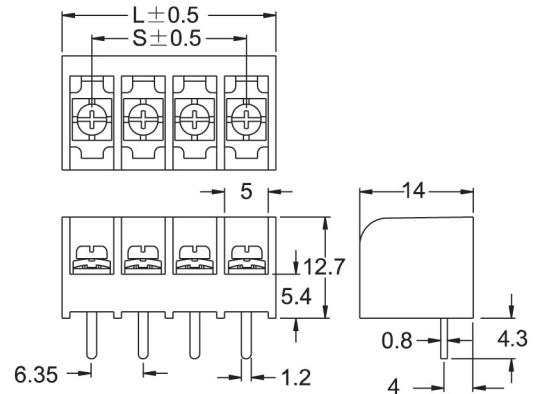
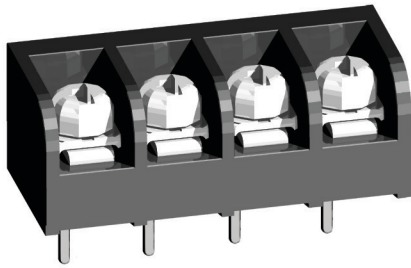
DECA[®]
SwitchLab

TYPE:T40

Pitch:6.35mm

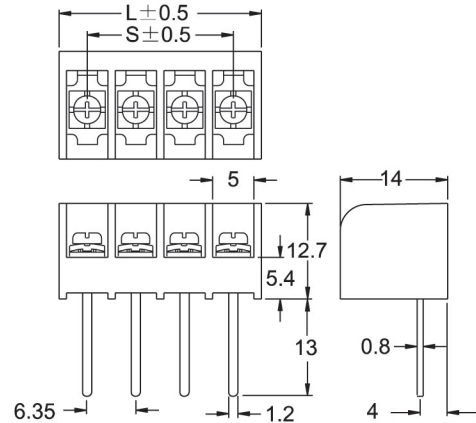
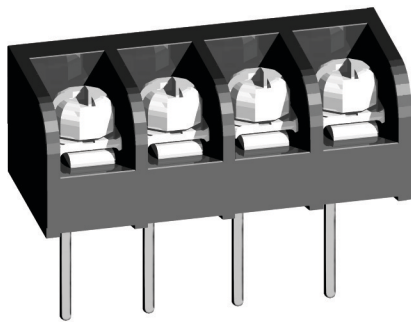
T40-BS16-04

Terminal style: S16



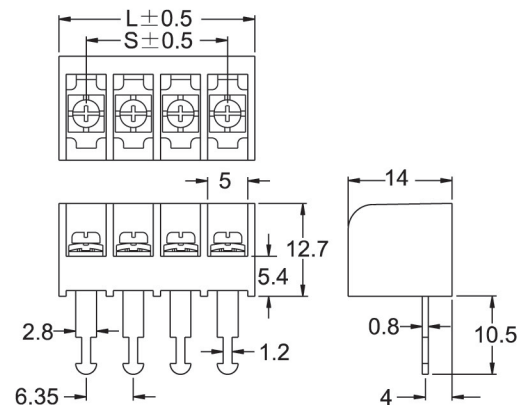
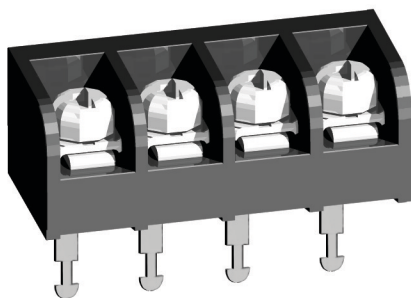
T40-BS13-04

Terminal style: S13



T40-BS41-04

Terminal style: S41



Poles	2	3	4	5	6	7	8	9	10	11	12	13	14	15	16
L(mm)	24.1	35.1	46.1	57.1	68.1	79.1	90.1	101	112	112	122	132	142	152	162
S(mm)	11.0	22.0	33.0	44.0	55.0	66.0	77.0	88.0	99.0	110	121	132	143	154	1650
Poles	17	18	19	20	21	22	23	24	25	26	27	28	29	30	
L(mm)	189	200	211	222	233	244	255	266	277	288	299	310	321	332	
S(mm)	176	187	198	209	220	231	242	253	264	275	286	297	308	319	