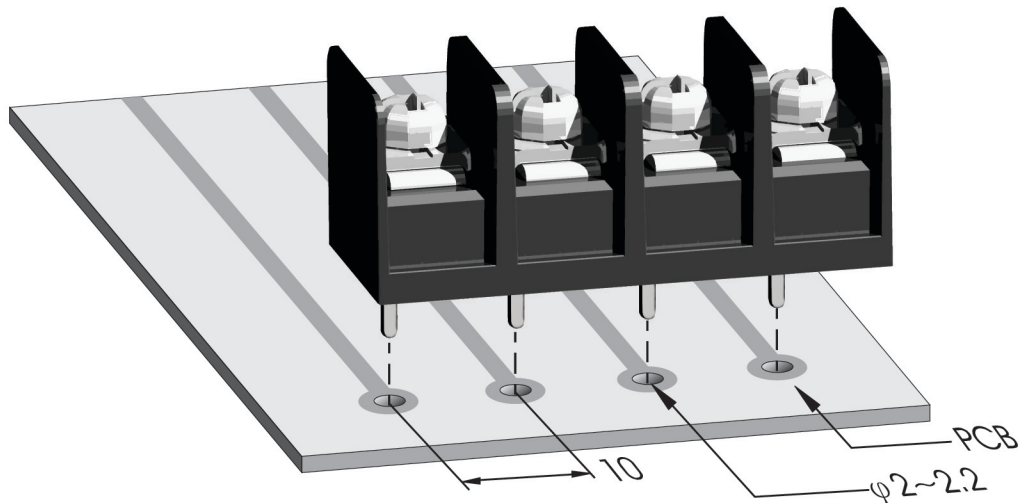


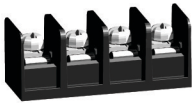
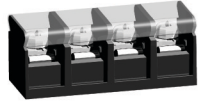
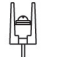


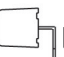
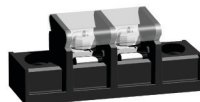
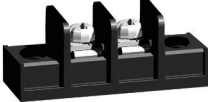
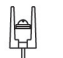

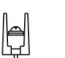

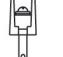

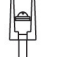

TYPE:T35 (貫通式端子台)

Pitch:10.00mm



ORDER GUIDE(注文方法):

T35 - B M11 - 04

Body(本体)		Terminal style(端子スタイル)		Poles(極数)
B: 標準型 (standard) 	E: 両端取付穴無しカバー付 (with cover) 	M11:  	O32:  	02 ⋮ ⋮ ⋮ ⋮ ⋮ ⋮ 30
C: 両端取付穴付カバー付 (with mounts and cover) 	O: 両端取付穴付カバー無し (with mounts) 	M14:  	S11:  	
		M22:  		
		M32:  		

SPECIFICATION(規格,仕様):

Terminal :	Brass, Tin plated,0.8 t	端子 :	黄銅板ハンダメッキ,0.8 t
Insulator body :	PBT(UL94V-0), Black	主絶縁体 :	PBT(UL94V-0), 黒色
Screw :	M3.5, steel, Ni plated	ネジ :	M3.5, 鉄ニッケルメッキ
Cover :	PC	カバー :	PC
Operation temperatures :	-40° C to +120° C	使用温度範囲 :	-40° C to +120° C
Rated current :	20Amp AC300V	定格 :	20Amp AC300V
Insulation withstands volt :	AC2000V min	耐電圧 :	AC2000V 一分間
Insulation resistance :	>5000MΩ at DC 500V	絶縁抵抗 :	DC500V 5000MΩ 以上
PCB hole Dia :	φ 2.0mm~φ 2.2mm	基板穴径 :	φ 2.0mm~φ 2.2mm
Wire range :	14~22 AWG	電線径 :	14~22 AWG
Screw torque :	16 lb-in Screw with washer	ネジ締付トルク :	16 lb-in ワッシャー付ネジ

.394" PCB Barrier Terminal Blocks

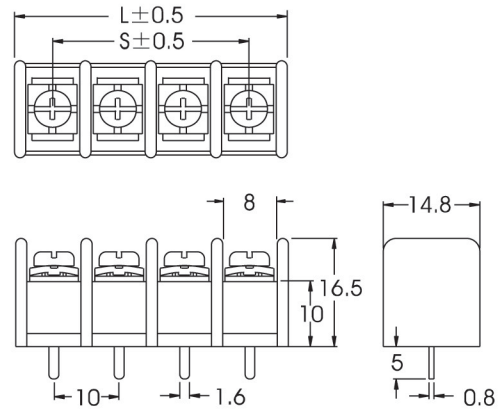
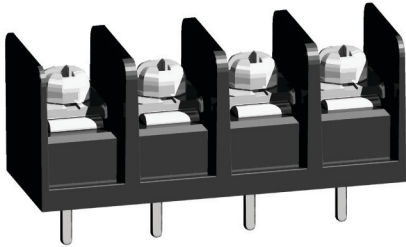
DECA®
SwitchLab

TYPE:T35

Pitch:10.00mm

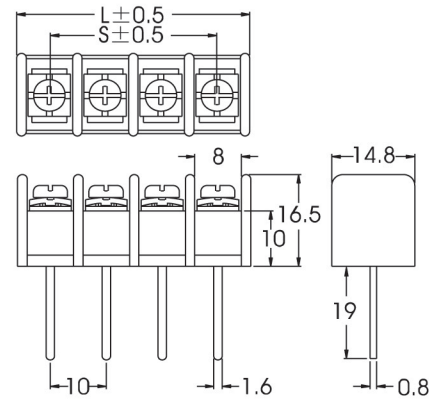
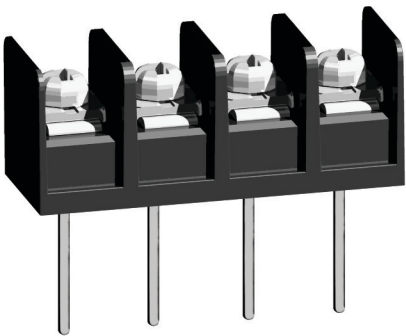
T35-BM11-04

Terminal style: M11



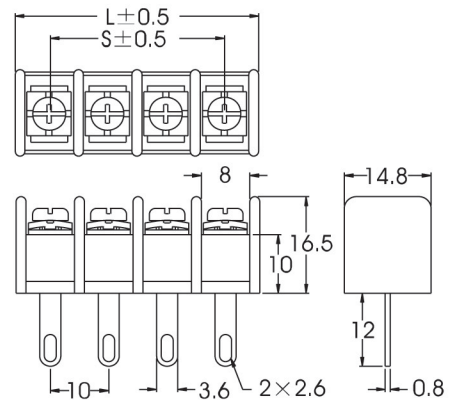
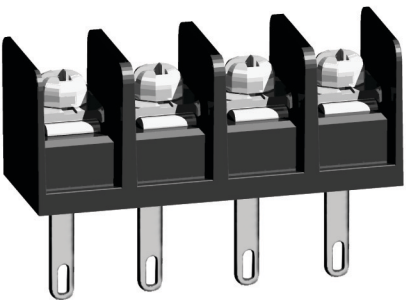
T35-BM14-04

Terminal style: M14



T35-BM22-04

Terminal style: M22



Poles	2	3	4	5	6	7	8	9	10	11	12	13	14	15	16
L(mm)	21.8	31.8	41.8	51.8	61.8	71.8	81.8	91.8	102	112	122	132	142	152	162
S(mm)	10.0	20.0	30.0	40.0	50.0	60.0	70.0	80.0	90.0	100	110	120	130	140	150
Poles	17	18	19	20	21	22	23	24	25	26	27	28	29	30	
L(mm)	172	182	192	202	212	222	232	242	252	262	272	282	292	302	
S(mm)	160	170	180	190	200	210	220	230	240	250	260	270	280	290	

.394" PCB Barrier Terminal Blocks

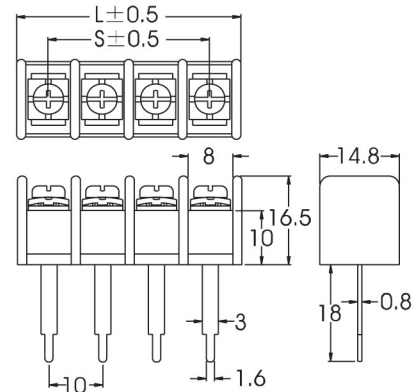
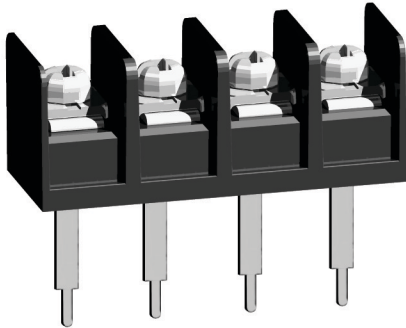
DECA[®]
SwitchLab

TYPE:T35

Pitch:10.00mm

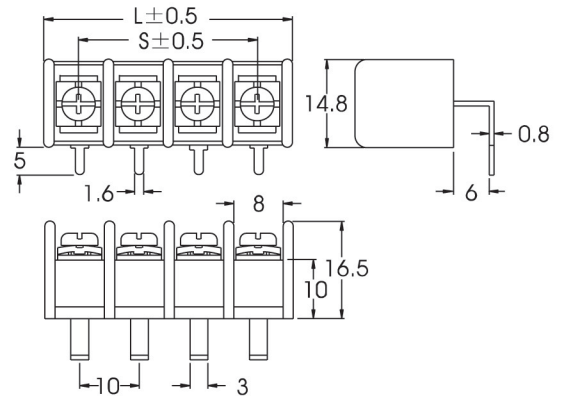
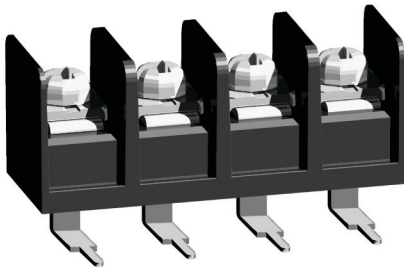
T35-BM32-04

Terminal style: M32



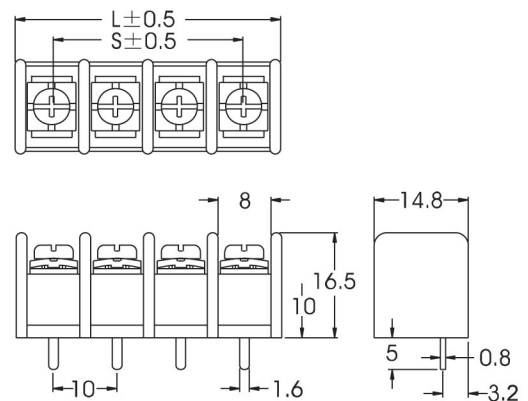
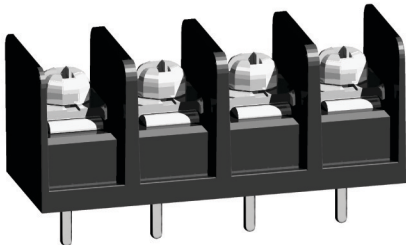
T35-BO32-04

Terminal style: O32



T35-BS11-04

Terminal style: S11



Poles	2	3	4	5	6	7	8	9	10	11	12	13	14	15	16
L(mm)	21.8	31.8	41.8	51.8	61.8	71.8	81.8	91.8	102	112	122	132	142	152	162
S(mm)	10.0	20.0	30.0	40.0	50.0	60.0	70.0	80.0	90.0	100	110	120	130	140	150
Poles	17	18	19	20	21	22	23	24	25	26	27	28	29	30	
L(mm)	172	182	192	202	212	222	232	242	252	262	272	282	292	302	
S(mm)	160	170	180	190	200	210	220	230	240	250	260	270	280	290	