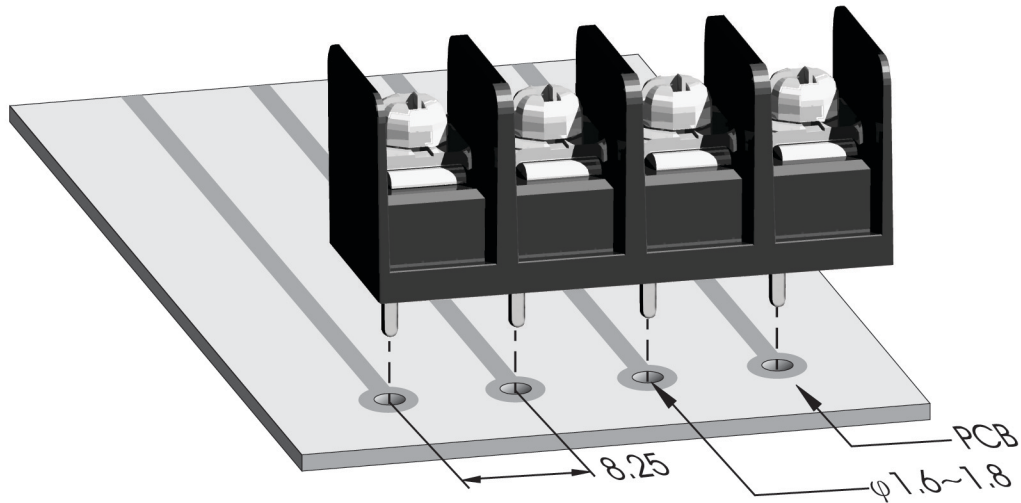


TYPE:T32 (貫通式端子台)



Pitch:8.25mm



ORDER GUIDE(注文方法):

T32 - B S11 - 04

Body(本体)		Terminal style(端子スタイル)		Poles(極数)
B: 標準型 (standard)	E: 両端取付穴無しカバー付 (with cover)	S11:	W12:	02
		S12:		⋮
C: 両端取付穴付カバー付 (with mounts and cover)	O: 両端取付穴付カバー無し (with mounts)	S14:		⋮
				30

SPECIFICATION(規格,仕様):

Terminal :	Brass, Tin plated,0.8 t	端子 :	黄銅板ハンダメッキ,0.8 t
Insulator body :	PBT(UL94V-0), Black	主絶縁体 :	PBT(UL94V-0), 黒色
Screw :	M3.0, steel, Ni plated	ネジ :	M3.0, 鉄ニッケルメッキ
Cover :	PC	カバー :	PC
Operation temperatures :	-40° C to +120° C	使用温度範囲 :	-40° C to +120° C
Rated current :	15Amp AC300V	定格 :	15Amp AC300V
Insulation withstands volt :	AC2000V min	耐電圧 :	AC2000V 一分間
Insulation resistance :	>5000MΩ at DC 500V	絶縁抵抗 :	DC500V 5000MΩ以上
PCB hole Dia :	φ 1.6mm~φ 1.8mm	基板穴径 :	φ 1.6mm~φ 1.8mm
Wire range :	16~22 AWG	電線径 :	16~22 AWG
Screw torque :	12 lb-in	ネジ締付トルク :	12 lb-in
	Screw with washer		ワッシャー付ネジ

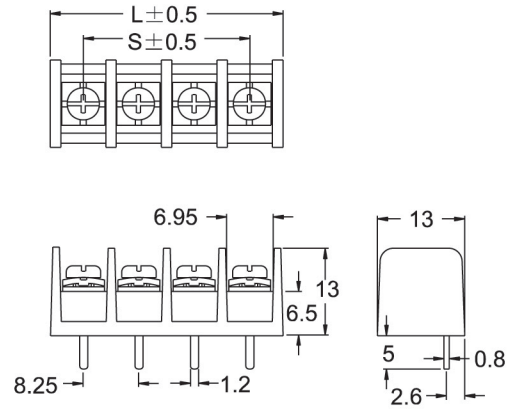
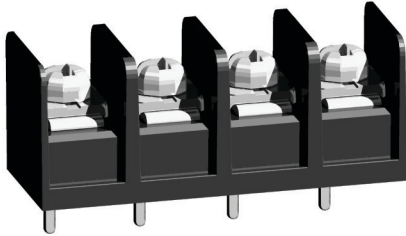
.325" PCB Barrier Terminal Blocks

TYPE:T32

Pitch:8.25mm

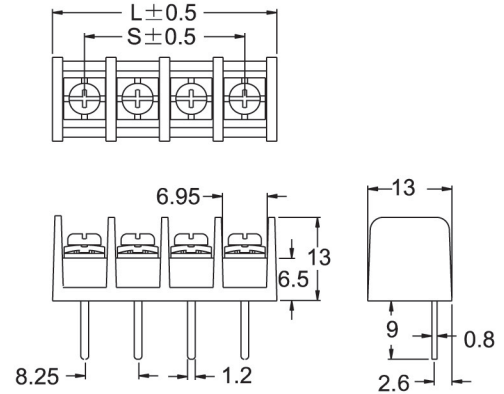
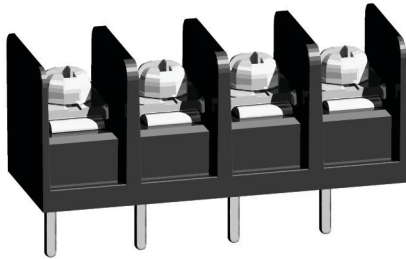
T32-BS11-04

Terminal style: S11



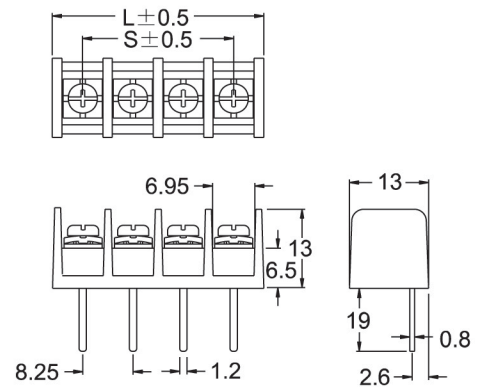
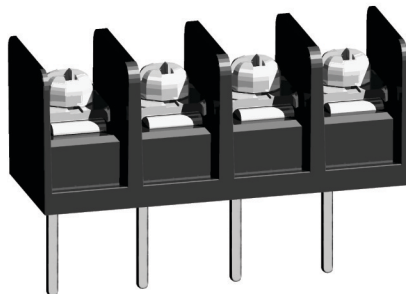
T32-BS12-04

Terminal style: S12



T32-BS14-04

Terminal style: S14



Poles	2	3	4	5	6	7	8	9	10	11	12	13	14	15	16
L(mm)	18.2	26.4	34.7	42.9	51.2	59.4	67.7	75.9	84.2	92.4	101	109	117	125	134
S(mm)	8.25	16.5	24.8	33.0	41.3	49.5	57.8	66.0	74.3	82.5	90.8	99.0	107	116	124
Poles	17	18	19	20	21	22	23	24	25	26	27	28	29	30	
L(mm)	142	150	158	167	175	183	191	200	208	216	224	233	241	249	
S(mm)	132	140	149	157	165	173	182	190	198	206	215	223	231	239	

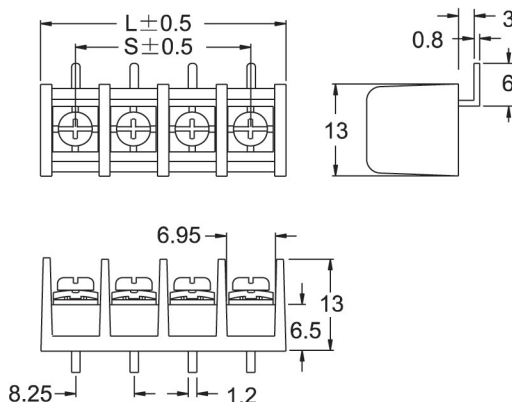
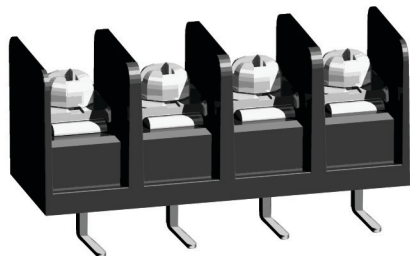
.325" PCB Barrier Terminal Blocks

TYPE:T32

Pitch:8.25mm

T32-BW12-04

Terminal style: W12



Poles	2	3	4	5	6	7	8	9	10	11	12	13	14	15	16
L(mm)	18.2	26.4	34.7	42.9	51.2	59.4	67.7	75.9	84.2	92.4	101	109	117	125	134
S(mm)	8.25	16.5	24.8	33.0	41.3	49.5	57.8	66.0	74.3	82.5	90.8	99.0	107	116	124
Poles	17	18	19	20	21	22	23	24	25	26	27	28	29	30	
L(mm)	142	150	158	167	175	183	191	200	208	216	224	233	241	249	
S(mm)	132	140	149	157	165	173	182	190	198	206	215	223	231	239	