



FEATURES:

- RoHS compliant
- SMD Package
- Low ripple and noise
- High efficiency up to 83%
- Operating temperature -40°C to + 85°C
- Input / Output Isolation 1000 & 3000VDC
- Pin compatible with multiple manufacturers
- UL94-VO Package

Models
Single output

Model	Input Voltage (V)	Output Voltage (V)	Output Current max (mA)	Isolation (VDC)	Efficiency (%)
AM1L-0303S-NZ	3.0-3.6	3.3	304	1000	70
AM1L-0305S-NZ	3.0-3.6	5	200	1000	71
AM1L-0309S-NZ	3.0-3.6	9	111	1000	71
AM1L-0312S-NZ	3.0-3.6	12	84	1000	72
AM1L-0315S-NZ	3.0-3.6	15	67	1000	72
AM1L-0324S-NZ	3.0-3.6	24	40	1000	72
AM1L-0503S-NZ	4.5-5.5	3.3	304	1000	70
AM1L-0505S-NZ	4.5-5.5	5	200	1000	78
AM1L-0509S-NZ	4.5-5.5	9	111	1000	74
AM1L-0512S-NZ	4.5-5.5	12	84	1000	77
AM1L-0515S-NZ	4.5-5.5	15	67	1000	78
AM1L-0524S-NZ	4.5-5.5	24	40	1000	73
AM1L-1203S-NZ	10.8-13.2	3.3	304	1000	75
AM1L-1205S-NZ	10.8-13.2	5	200	1000	73
AM1L-1209S-NZ	10.8-13.2	9	111	1000	75
AM1L-1212S-NZ	10.8-13.2	12	84	1000	79
AM1L-1215S-NZ	10.8-13.2	15	67	1000	80
AM1L-1224S-NZ	10.8-13.2	24	40	1000	73
AM1L-2403S-NZ	21.6-26.4	3.3	304	1000	70
AM1L-2405S-NZ	21.6-26.4	5	200	1000	72
AM1L-2409S-NZ	21.6-26.4	9	111	1000	72
AM1L-2412S-NZ	21.6-26.4	12	84	1000	83
AM1L-2415S-NZ	21.6-26.4	15	67	1000	81
AM1L-2424S-NZ	21.6-26.4	24	40	1000	80
AM1L-0505SH30-NZ	4.5-5.5	5	200	3000	70
AM1L-0509SH30-NZ	4.5-5.5	9	111	3000	75
AM1L-0512SH30-NZ	4.5-5.5	12	84	3000	78
AM1L-0515SH30-NZ	4.5-5.5	15	67	3000	80
AM1L-1205SH30-NZ	10.8-13.2	5	200	3000	72
AM1L-1209SH30-NZ	10.8-13.2	9	111	3000	76
AM1L-1212SH30-NZ	10.8-13.2	12	84	3000	79
AM1L-1215SH30-NZ	10.8-13.2	15	67	3000	81

Models
Dual output

Model	Input Voltage (V)	Output Voltage (V)	Output Current max (mA)	Isolation (VDC)	Efficiency (%)
AM1L-0505D-NZ	4.5-5.5	±5	±100	1000	75
AM1L-0509D-NZ	4.5-5.5	±9	±56	1000	78
AM1L-0512D-NZ	4.5-5.5	±12	±42	1000	79
AM1L-0515D-NZ	4.5-5.5	±15	±33	1000	78
AM1L-1205D-NZ	10.8-13.2	±5	±100	1000	76
AM1L-1209D-NZ	10.8-13.2	±9	±56	1000	78
AM1L-1212D-NZ	10.8-13.2	±12	±42	1000	79

Models

Dual output (continue)

Model	Input Voltage (V)	Output Voltage (V)	Output Current max (mA)	Isolation (VDC)	Efficiency (%)
AM1L-1215D-NZ	10.8-13.2	±15	±33	1000	77
AM1L-2405D-NZ	21.6-26.4	±5	±100	1000	76
AM1L-2409D-NZ	21.6-26.4	±9	±56	1000	75
AM1L-2412D-NZ	21.6-26.4	±12	±42	1000	77
AM1L-2415D-NZ	21.6-26.4	±15	±33	1000	75
AM1L-0505DH30-NZ	4.5-5.5	±5	±100	3000	72
AM1L-0509DH30-NZ	4.5-5.5	±9	±56	3000	75
AM1L-0512DH30-NZ	4.5-5.5	±12	±42	3000	78
AM1L-0515DH30-NZ	4.5-5.5	±15	±33	3000	79
AM1L-1205DH30-NZ	10.8-13.2	±5	±100	3000	74
AM1L-1209DH30-NZ	10.8-13.2	±9	±56	3000	76
AM1L-1212DH30-NZ	10.8-13.2	±12	±42	3000	78
AM1L-1215DH30-NZ	10.8-13.2	±15	±33	3000	79

Input Specifications

Parameters	Nominal	Typical	Maximum	Units
Voltage range	3	3.0-3.6		VDC
	5	4.5-5.5		
	12	10.8-13.2		
Filter	Capacitor			

Isolation Specifications

Parameters	Conditions	Typical	Maximum	Units
Tested voltage	60 sec	1000 & 3000		VDC
Resistance		> 1000		MOhm
Capacitance		60		pF

Output Specifications

Parameters	Conditions	Typical	Maximum	Units
Voltage accuracy	See the tolerance graph	±5		%
Voltage balance	Dual Output	±2		%
Short Circuit protection	1sec			
Line voltage regulation (Single)	For 1.0% of Vin	±1.2		%
Line voltage regulation (Dual)	For 1.0% of Vin	±1.2		%
Load voltage regulation (Single)	Load 10 – 100%	10		%
Load voltage regulation (Dual)	Load 10 – 100%	10		%
Temperature coefficient		±0.03		%/°C
Ripple & Noise	At 20MHz Bandwidth	75	100	mV p-p

General Specifications

Parameters	Conditions	Typical	Maximum	Units
Switching frequency	100% load	100		KHz
Case temperature			+95	°C
Operating temperature	Without derating		-40 to +85	°C
Storage temperature		-55 to +125		°C
Cooling	Free air convection			
Humidity	Non Condensing		95	%
Case material		Plastic UL94-VO		
Weight		1.5		g
Dimensions	Single 1000VDC		12.7 x 11.2 x 6.7 mm	
	Dual 1000VDC		15.2 x 11.2 x 6.7 mm	
	Single and Dual 3000VDC		15.24 x 11.2 x 6.7 mm	
MTBF		>980 000 hrs single, 1 000 000hrs dual (MIL-HDBK -217F, Ground Benign, t=+25°C)		

Safety Specifications

Standards

Agency approvals	cULus (for 3000VDC Isolated models and 5 and 12 Vin models with 1000VDC Isolation), CE (for 5 and 12 Vin single models)
------------------	---

Pin Out Specifications 1000VDC

Pin	Single
1	- V Input
2	+ V Input
3	N. C.
4	- V Output
5	.+V Output
6	N.C.
7	N.C.
8	N.C.

Pin	Dual
1	- V Input
2	+ V Input
3	N. C.
4	Common
5	.-V Output
6	N.C.
7	+V Output
8	N.C.
9	N.C.
10	N.C.

External capacitor – Single output

Vin (VDC)	External capacitor (μF)	Vout (VDC)	External capacitor (μF)
5	4.7	5	10
12	2.2	9	4.7
24	1	12	2.2
-	-	15	1

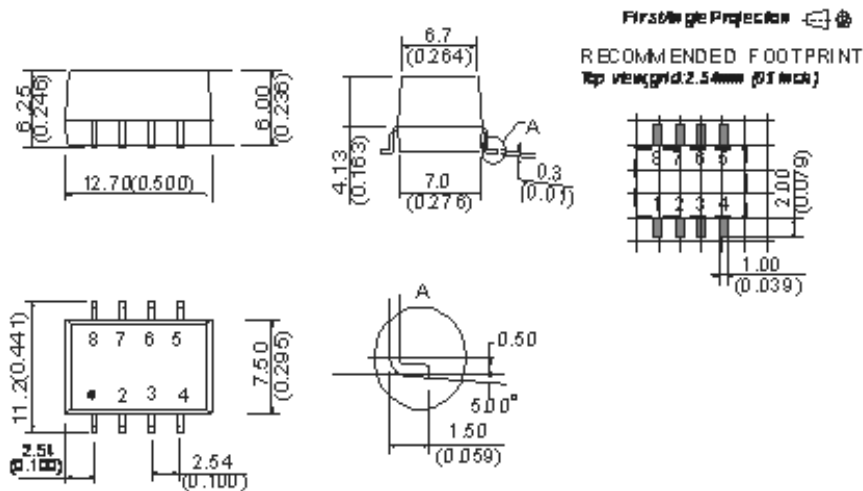
3000VDC

Pin	Single	Dual
1	- V Input	- V Input
2	+ V Input	+ V Input
3	N.C.	N.C.
4	Omitted	Omitted
5	-V Output	Common
6	N.C.	-V Output
7	N.C.	N.C.
8	+V Output	+V Output
9	Omitted	Omitted
10	N.C.	N.C.
11	N.C.	N.C.
12	N.C.	N.C.

External capacitor – Dual output

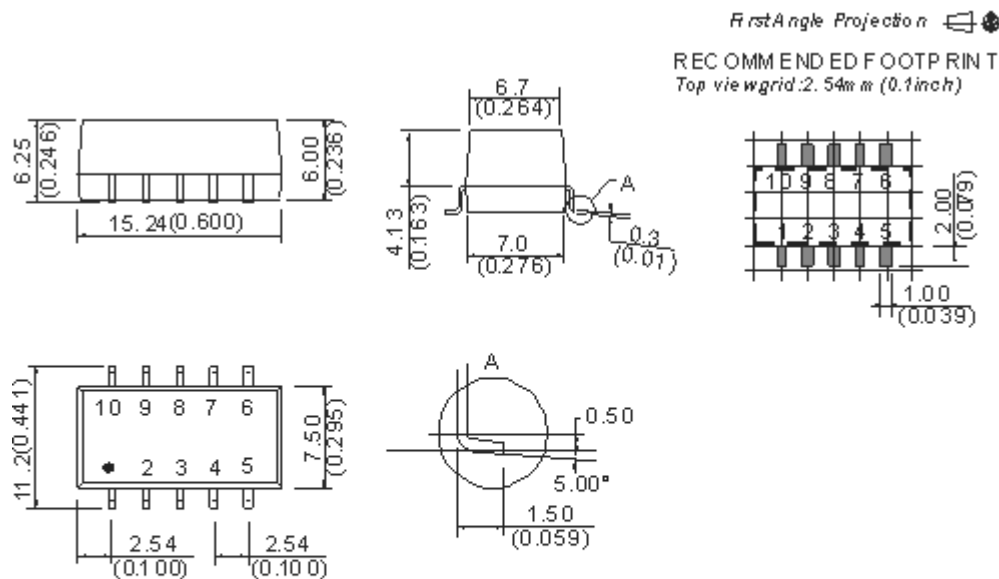
Vin (VDC)	External capacitor (μF)	Vout (VDC)	External capacitor (μF)
5	4.7	5	4.7
12	2.2	9	2.2
24	1	12	1
-	-	15	0.47

Dimensions Single 1000VDC



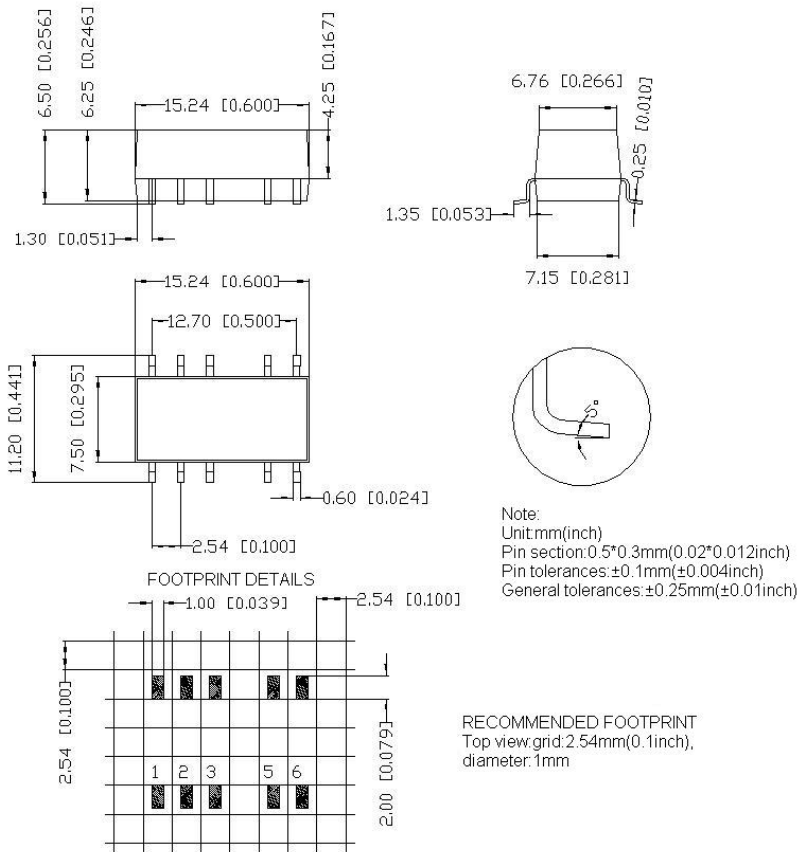
Note:
Unit: mm (inch)
Pin section: 0.60*0.25mm (0.024*0.010inch)
Pin tolerances: ±0.10mm (±0.004inch)
General tolerances: ±0.15mm (±0.006inch)

Dimensions Dual 1000VDC

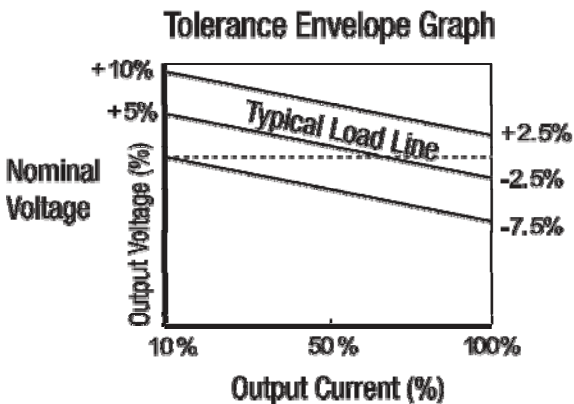


Note:
Unit: mm (inch)
Pin section: 0.60*0.25mm (0.024*0.010inch)
Pin tolerances: ±0.10mm (±0.004inch)
General tolerances: ±0.15mm (±0.006inch)

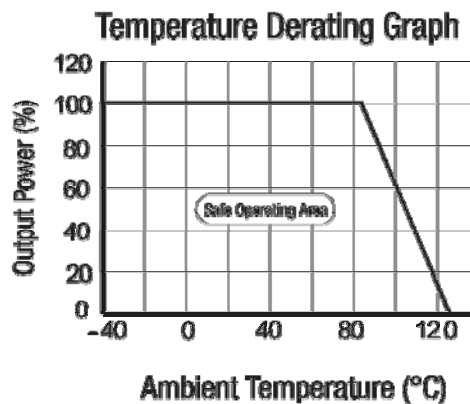
Dimensions Single and Dual 3000VDC



Tolerance Graph



Derating



NOTE: 1. Datasheets are updated as needed and as such, specifications are subject to change without notice. Once printed or downloaded, datasheets are no longer controlled by Aimtec; refer to www.aimtec.com for the most current product specifications. 2. Product labels shown, including safety agency certifications on labels, may vary based on the date manufactured. 3. Mechanical drawings and specifications are for reference only. 4. Aimtec may not have conducted destructive testing or chemical analysis on all internal components and chemicals at the time of publishing this document. CAS numbers and other limited information are considered proprietary and may not be available for release. 5. This product is not designed for use in critical life support systems, equipment used in hazardous environments, nuclear control systems or other such applications which necessitate specific safety and regulatory standards other than the ones listed in this datasheet.