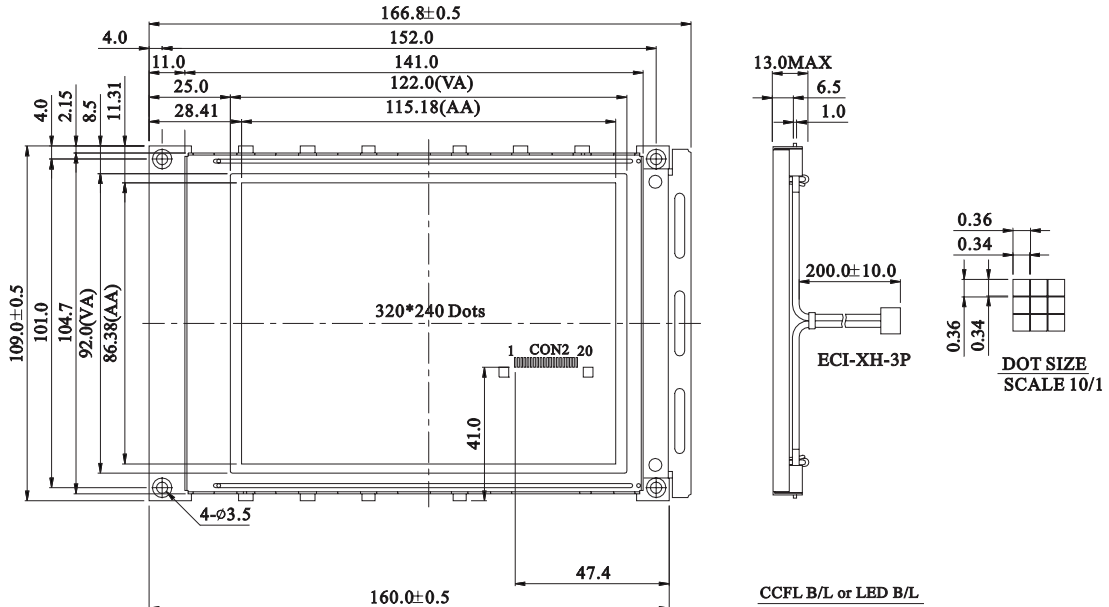




Graphic 320x240dots **WG320240B**

Dimension drawing



Feature

1. Built-in Epson SED 1335 controller and SRAM
2. Built-in Negative Voltage generator
3. 1/240 duty cycle
4. Touch screen option (analog type)
5. Temperature compensation option

Mechanical Data

Item	Standard Value	Unit
Module Dimension	166.8x109.0	mm
Viewing Area	122.0x92.0	mm
Dot Size	0.34x0.34	mm
Dot Pitch	0.36x0.36	mm
Mounting hole	152.0 x 101.0	mm

Absolute Maximum Rating

Item	Symbol	Standard Value			Unit
		min.	typ.	max.	
Power Supply	VDD-VSS	4.75	5.0	5.25	V
Input Voltage	VI	-0.3	---	VDD	V

Note : VSS=0 Volt, VDD=5.0 Volt.

Electronical Characteristics

Item	Symbol	Condition	Standard Value			Unit
			min.	typ.	max.	
Input Voltage	VDD	L level	0.7VDD	---	VDD	V
	VIO	H level	0	---	0.3VDD	V
Supply Current	IDD	VDD=5V	---	100	105	mA
Recommended LC Driving Voltage for Normal Temp. Version module	VDD-V0	0°C	22.0	23.0	24.0	V
		25°C	21.3	22.2	23.0	
		50°C	19.5	20.8	22.1	
CCFL Starting Voltage	VFLS	25°C	---	600	---	Vrms
CCFL Driving Voltage	VFLD	25°C	---	268	---	Vrms
CCFL Driving Current	IFLD	VFQ=450Vrms 30KHZ	---	5.0	---	mArms

Pin NO.	Symbol	Function
1	Vss	Ground
2	Vdd	Power supply for Logic
3	Vo	Driving voltage for LCD
4	Ao	Data type select
5	WR	8080 family: Write signal, 6800 family: R/W signal
6	RD	8080 family: Read signal, 6800 family: Enable clock
7	DB0	Data bus line
8	DB1	Data bus line
9	DB2	Data bus line
10	DB3	Data bus line
11	DB4	Data bus line
12	DB5	Data bus line
13	DB6	Data bus line
14	DB7	Data bus line
15	CS	Chip select, Active L
16	RES	Controller reset signal Active L
17	Vee	Negative Voltage output
18	NC	No connection
19	NC	No connection
20	NC	No connection



Graphic type