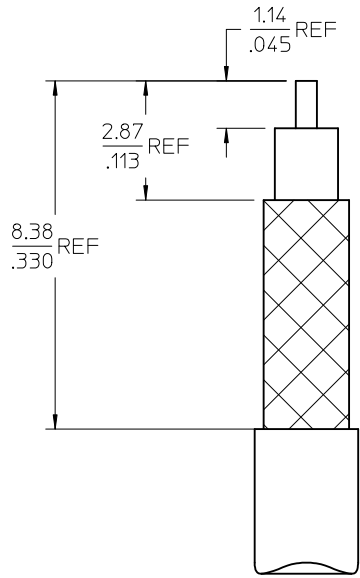


MATERIALS AND FINISHES:

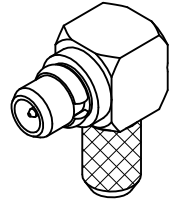
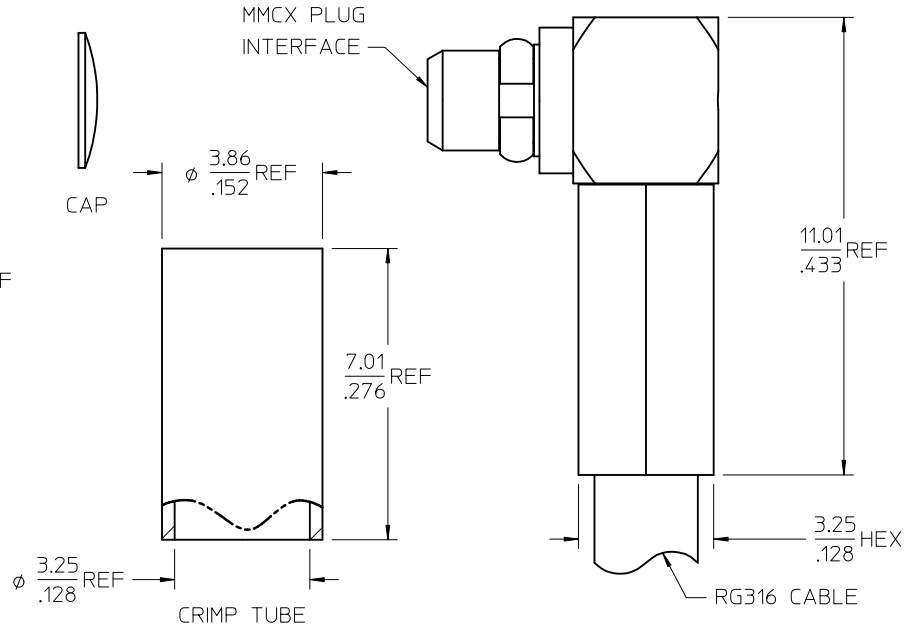
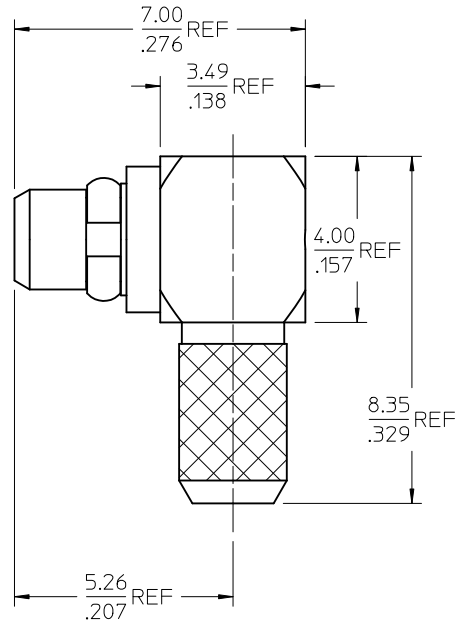
BODY, CAP, CRIMP TUBE,  
CONTACT: BRASS  
FINISH: GOLD

SNAP RING: BERYLLIUM COPPER  
FINISH: GOLD

INSULATOR: TEFLON



CABLE STRIP DIMENSIONS



|            |  |
|------------|--|
| 73415-1123 | BODY(10), CAP(10), TUBE(10), CONTACT(30), RING(30)U" |
| 73415-1122 | P/N 73415-1121, ONE PER BAG                          |
| 73415-1121 | PER COMMERCIAL REQUIREMENTS, BULK                    |
| 73415-1120 | PER MILITARY REQUIREMENTS, BULK                      |
| PART NO.   | PLATING AND PACKAGING                                |

|                   |                       |
|-------------------|-----------------------|
| ES-73599-0000-015 | INTERFACE             |
| PS-89675-1930     | ELECTRO/MECH PERFORM. |
| SPECIFICATION     | DESCRIPTION           |

CHG: ADDED -1123

EC NO: URF2011-0427  
 DRWN: JLEE02 2011/01/13  
 CHKD: SSS 2011/01/13  
 APPR: WIENER 2011/01/13

DESCRIPTION  
 REV: A5

QUALITY SYMBOLS  
 ▽=0  
 ▽=0  
 DRAFT WHERE APPLICABLE  
 MUST REMAIN  
 WITHIN DIMENSIONS

GENERAL TOLERANCES  
 (UNLESS SPECIFIED)  

|          | mm     | INCH    |
|----------|--------|---------|
| 4 PLACES | ± .005 | ± .0005 |
| 3 PLACES | ± .003 | ± .0003 |
| 2 PLACES | ± .002 | ± .0002 |
| 1 PLACE  | ± .001 | ± .0001 |

 ANGULAR ± 2°  
 DIMENSION STYLE  
 MM/IN  
 DRAWN BY DATE  
 TEF 2000/01/13  
 CHECKED BY DATE  
 TEF 2000/01/13  
 APPROVED BY DATE  
 GMH 2000/01/13  
 MATERIAL NO.  
 SEE TABLE  
 SIZE  
 C

SCALE  
 DESIGN UNITS  
 METRIC  
 THIRD ANGLE  
 PROJECTION  
 TITLE  
 MMCX PLUG, R/A RG316  
 50 OHMS  
 MMCX-PC  
 MOLEX INCORPORATED  
 DOCUMENT NO.  
 SD-73415-112  
 SHEET NO.  
 1 OF 1  
 THIS DRAWING CONTAINS INFORMATION THAT IS PROPRIETARY TO MOLEX  
 INCORPORATED AND SHOULD NOT BE USED WITHOUT WRITTEN PERMISSION