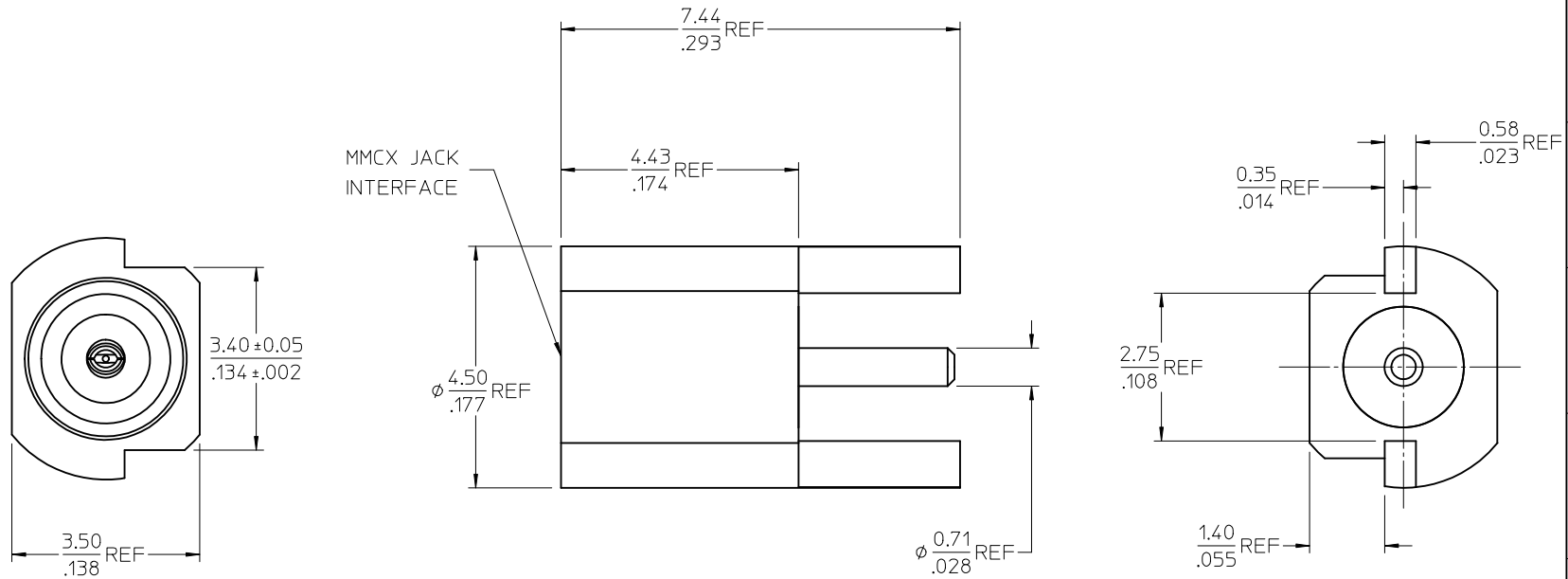


MATERIALS AND FINISHES:

BODY BRASS  
PLATED GOLD

CONTACT BERYLLIUM COPPER  
PLATED GOLD

INSULATOR TEFLON

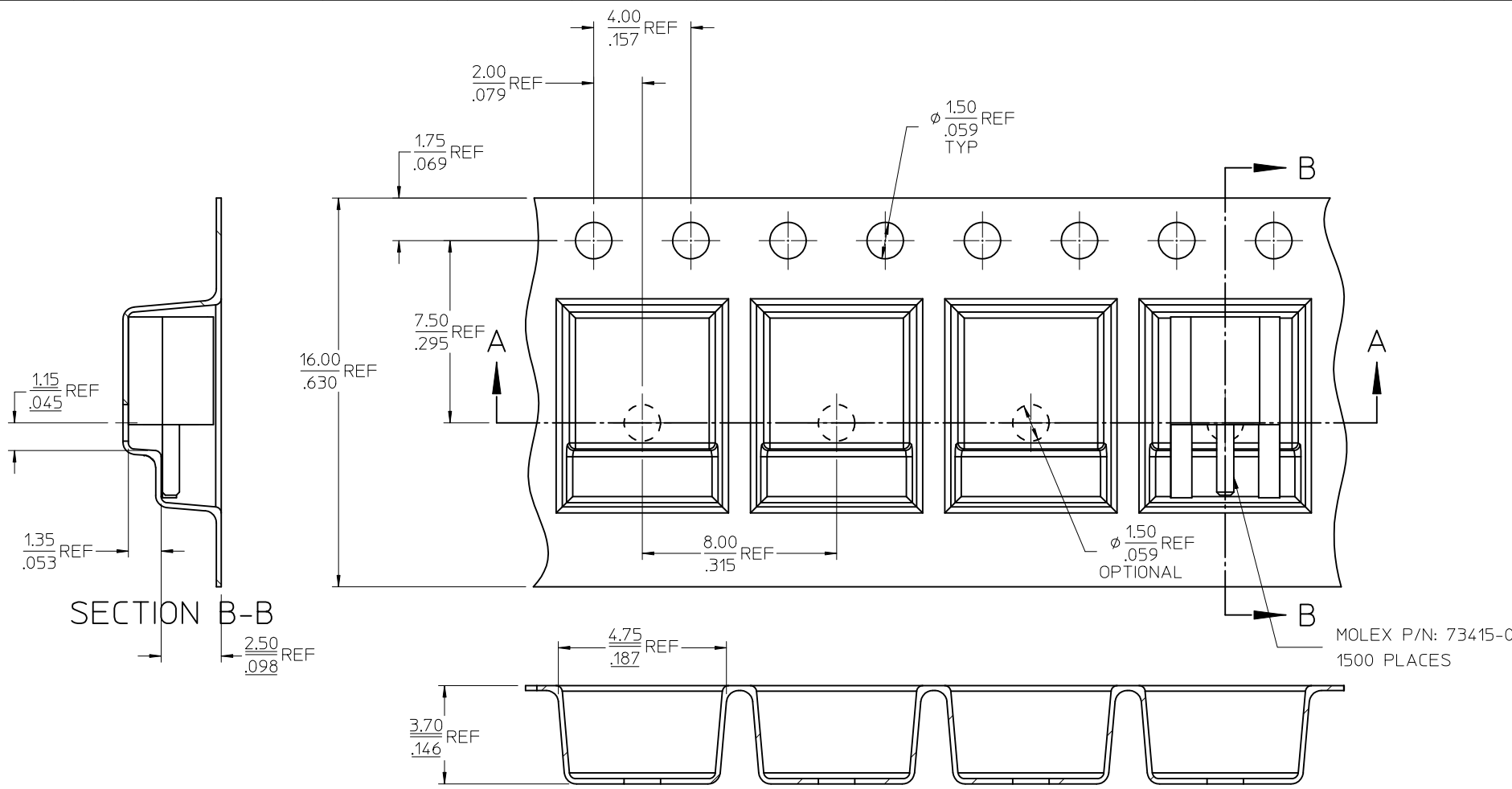


FOR PCB LAYOUT SEE SHEET 4

REEL SIZE FOR TAPE AND REEL: 1500 PIECES

		73415-0968	PER COMMERCIAL REQUIREMENTS	INDIVIDUAL BAGS -- SEE SHEET 2
		73415-0967	PER MILITARY REQUIREMENTS	LEADS ORIENTED OPPOSITE FEED HOLES WITHOUT LABEL
		73415-0966	PER COMMERCIAL REQUIREMENTS	LEADS ORIENTED TOWARDS FEED HOLES WITHOUT LABEL
		73415-0965	PER COMMERCIAL REQUIREMENTS	LEADS ORIENTED OPPOSITE FEED HOLES
		73415-0964	PER MILITARY REQUIREMENTS	LEADS ORIENTED TOWARDS FEED HOLES
		73415-0963	PER COMMERCIAL REQUIREMENTS	LEADS ORIENTED TOWARDS FEED HOLES
		73415-0962	PER MILITARY REQUIREMENTS	LEADS ORIENTED OPPOSITE FEED HOLES
CECC-22-340	INTERFACE	73415-0961	PER COMMERCIAL REQUIREMENTS	INDIVIDUAL BAGS
PS-89675-1920	ELECTRO/MECH PERFORMANCE	73415-0960	PER MILITARY REQUIREMENTS	INDIVIDUAL BAGS
SPECIFICATION	DESCRIPTION	PART NUMBER	GOLD PLATING	PACKAGING

CHG: PS-89675-1920 WAS PS-89675-1910 INTERFACE SPECIFICATION WAS ES-73599-0000-0160 -0966 WAS MILITARY -0967 WAS COMM DELETE SHEET 4 EC NO: URF2011-0222 DRWN: JWIENER 2010/10/08 CHKD: SSS 2010/10/08 APPR: JWIENER 2010/10/11 REV: F4	QUALITY SYMBOLS ▽=0 ▽=0	GENERAL TOLERANCES (UNLESS SPECIFIED) mm INCH 4 PLACES ± --- ± --- 3 PLACES ± --- ± --- 2 PLACES ± --- ± --- 1 PLACE ± --- ± --- ANGULAR ± 2°	DIMENSION STYLE MM/IN DRAWN BY DATE EDC 1999/02/15 CHECKED BY DATE DHG 1999/02/15 APPROVED BY DATE JWIENER 2010/02/24	SCALE DESIGN UNITS METRIC THIRD ANGLE PROJECTION	TITLE MMCX JACK PCB EDGE MOUNT 50 OHM MMCX-J/PCB	MATERIAL NO. SEE TABLE	DOCUMENT NO. SD-73415-096	SHEET NO. 1 OF 4
	DRAFT WHERE APPLICABLE MUST REMAIN WITHIN DIMENSIONS		MOLEX MOLEX INCORPORATED		THIS DRAWING CONTAINS INFORMATION THAT IS PROPRIETARY TO MOLEX INCORPORATED AND SHOULD NOT BE USED WITHOUT WRITTEN PERMISSION			



MOLEX P/N: 73415-0960  
1500 PLACES

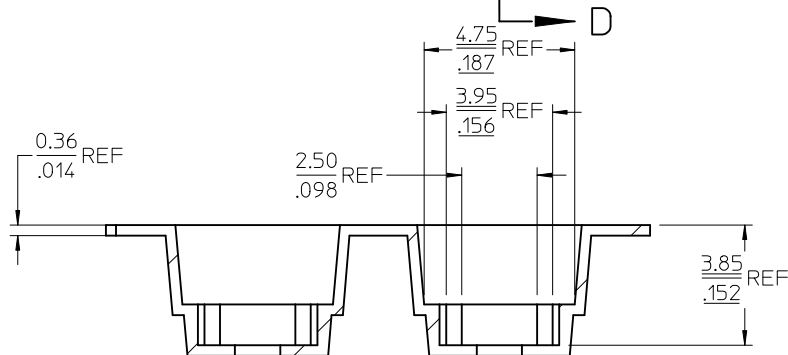
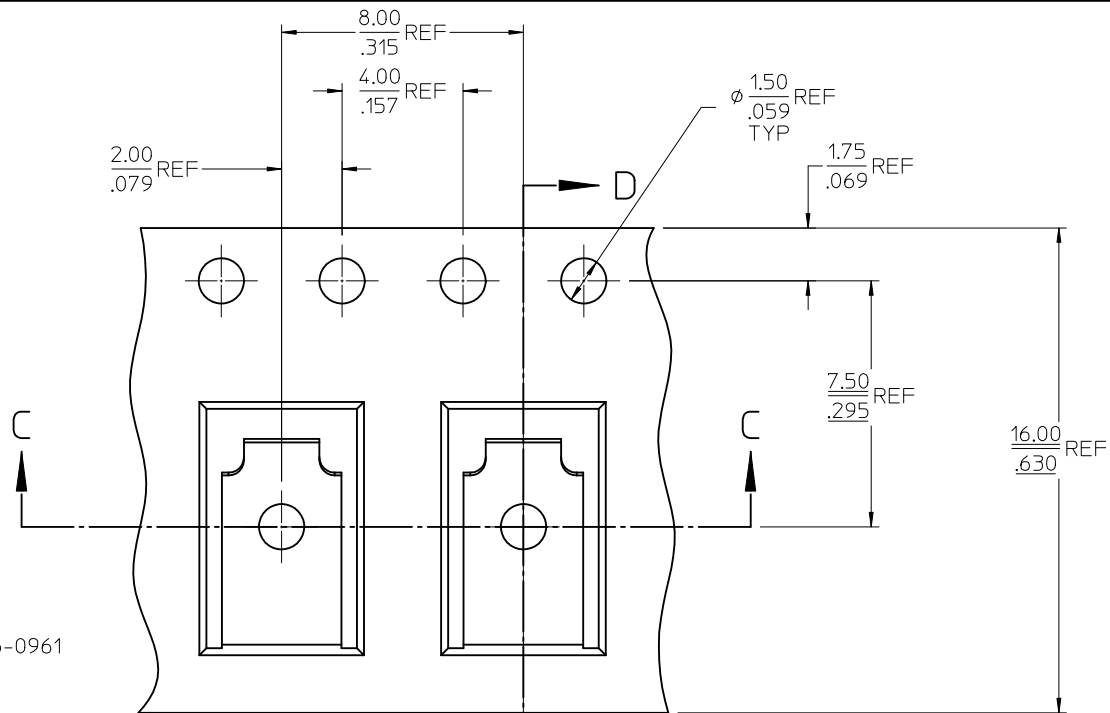
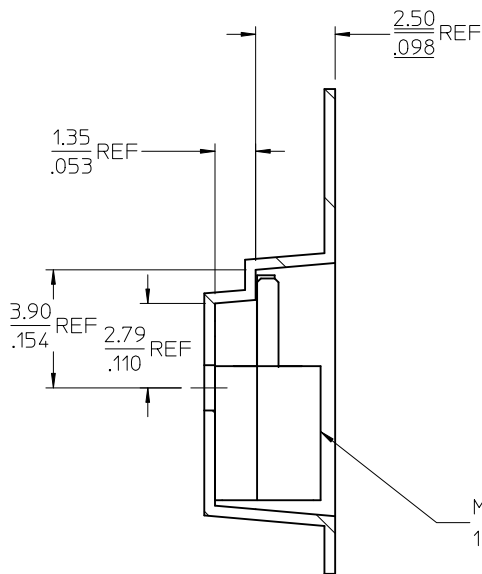
SECTION A-A

PACKAGING FOR 73415-0968 ONLY  
(INDIVIDUAL BAGS):

NOTE:  
1. DIMENSIONS ARE PROVIDED FOR REFERENCE ONLY.  
PART # 73415-0962/73415-065/73415-0967

1. PASTE COLOR LABEL OFFERED BY CUSTOMER ON EVERY POLYBAG SHOWING QTY, CUSTOMER P/N:- K00G0027
2. PASTE COLOR LABEL ON MASTER CARTON SHOWING P/N & QTY.

CHG: SEE SHEET 1 EC NO: URF2011-0222 DRWN: JWIENER 2010/10/08 CHKD: SSS 2010/10/08 APPR: JWIENER 2010/10/11	QUALITY SYMBOLS ▽=0 ▽=0	GENERAL TOLERANCES (UNLESS SPECIFIED)		DIMENSION STYLE	SCALE	DESIGN UNITS	THIRD ANGLE PROJECTION	
				MM/IN	METRIC			
				DRAWN BY	DATE	TITLE		
				CHECKED BY	DATE			
		ANGULAR ± 2°		APPROVED BY	DATE			
		DRAFT WHERE APPLICABLE MUST REMAIN WITHIN DIMENSIONS		MATERIAL NO.	DOCUMENT NO.	SHEET NO.		
				SEE SHEET 1	SD-73415-096	2 OF 4		
		THIS DRAWING CONTAINS INFORMATION THAT IS PROPRIETARY TO MOLEX INCORPORATED AND SHOULD NOT BE USED WITHOUT WRITTEN PERMISSION						



NOTES:

1. DIMENSIONS ARE PROVIDED FOR REFERENCE ONLY.

PART # 73415-0963/73415-0964/73415-0966

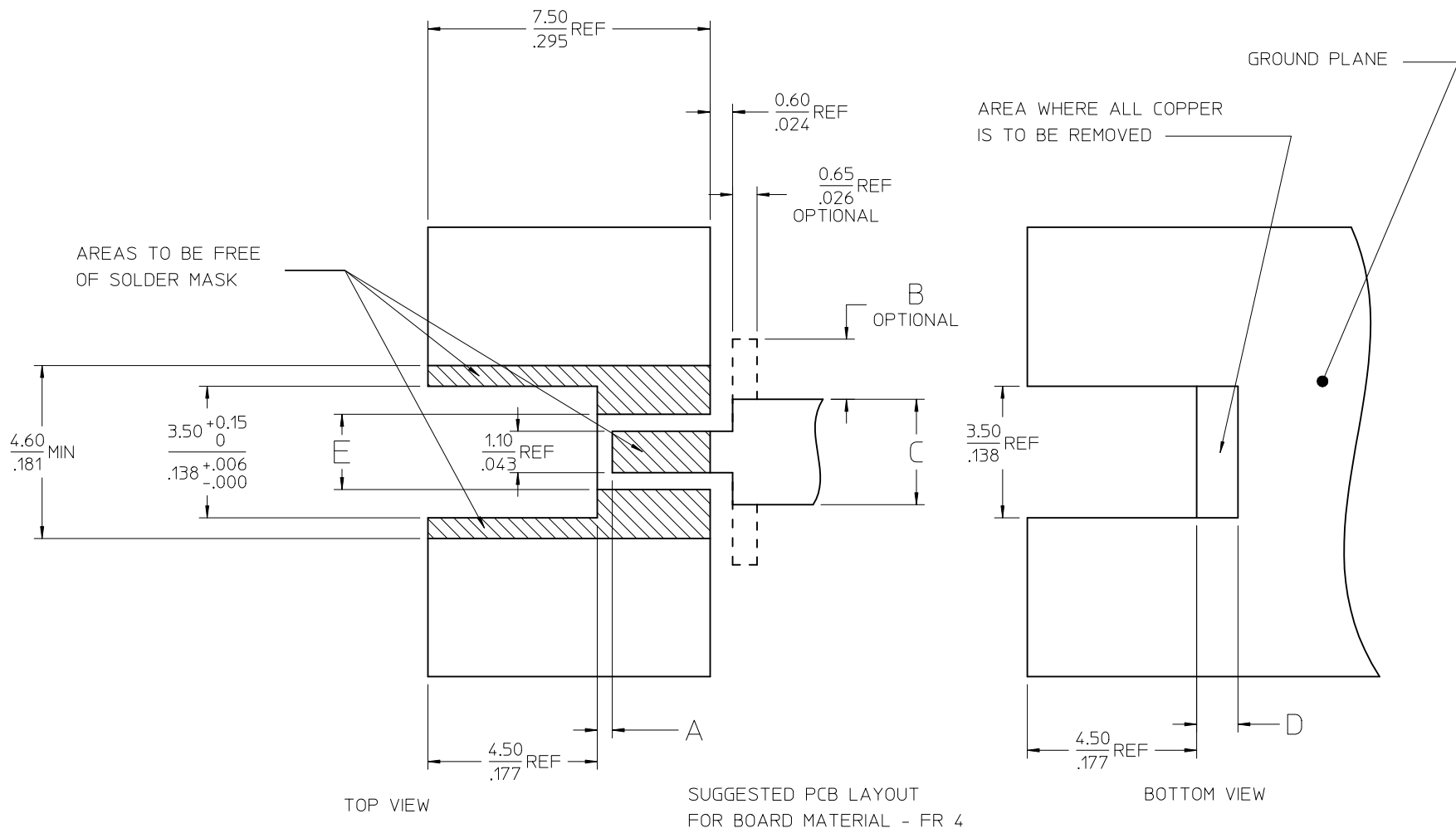
CHG: SEE SHEET 1	2010/10/08
EC NO: URF2011-0222	2010/10/08
DRWN: JWIENER	2010/10/08
CHKD: SSS	2010/10/08
APPR: JWIENER	2010/10/11
REV	DESCRIPTION
F4	

QUALITY SYMBOLS
◀=0
▽=0

GENERAL TOLERANCES (UNLESS SPECIFIED)
4 PLACES ± --- ± ---
3 PLACES ± --- ± ---
2 PLACES ± --- ± ---
1 PLACE ± --- ± ---
ANGULAR ± 2 °
DRAFT WHERE APPLICABLE MUST REMAIN WITHIN DIMENSIONS

DIMENSION STYLE	MM/IN
DRAWN BY	DATE
EDC	1999/02/15
CHECKED BY	DATE
DHG	1999/02/15
APPROVED BY	DATE
JWIENER	2010/02/24
MATERIAL NO.	SEE SHEET 1
SIZE	C

SCALE	DESIGN UNITS	THIRD ANGLE PROJECTION
	METRIC	
TITLE		
MMCX JACK PCB EDGE MOUNT		
50 OHM		
MMCX-J/PCB		
MOLEX MOLEX INCORPORATED		
DOCUMENT NO.	SHEET NO.	
SD-73415-096	3 OF 4	
THIS DRAWING CONTAINS INFORMATION THAT IS PROPRIETARY TO MOLEX INCORPORATED AND SHOULD NOT BE USED WITHOUT WRITTEN PERMISSION		



TOP VIEW

SUGGESTED PCB LAYOUT FOR BOARD MATERIAL - FR 4

BOTTOM VIEW

0.80 MM / .031 INCHES	.039 REF	1.00 REF	----	----	.055 REF	1.40 REF	.043 REF	1.10 REF	.071 REF	1.80 REF
1.00 MM / .039 INCHES	.035 REF	0.90 REF	.012 REF	0.30 REF	.071 REF	1.80 REF	.047 REF	1.20 REF	.065 REF	1.64 REF
1.60 MM / .063 INCHES	.016 REF	0.40 REF	.063 REF	1.60 REF	.110 REF	2.80 REF	.091 REF	2.30 REF	.059 REF	1.50 REF
PCB THICKNESS	IN	MM	IN	MM	IN	MM	IN	MM	IN	MM

A B C D E

CHG: SEE SHEET 1	2010/10/08
EC NO: URF2011-0222	2010/10/08
DRWN: JWIENER	2010/10/08
CHKD: SSS	2010/10/08
APPR: JWIENER	2010/10/11
REV	DESCRIPTION
F4	

QUALITY SYMBOLS	GENERAL TOLERANCES (UNLESS SPECIFIED)
▽=0	mm INCH
▽=0	4 PLACES ± --- ± ---
	3 PLACES ± --- ± ---
	2 PLACES ± --- ± ---
	1 PLACE ± --- ± ---
	ANGULAR ± 2 °
	DRAFT WHERE APPLICABLE MUST REMAIN WITHIN DIMENSIONS

DIMENSION STYLE		SCALE	DESIGN UNITS	THIRD ANGLE PROJECTION
MM/IN			METRIC	
DRAWN BY	DATE	TITLE		
EDC	1999/02/15	MMCX JACK PCB EDGE MOUNT 50 OHM MMCX-J/PCB		
CHECKED BY	DATE			
DHG	1999/02/15			
APPROVED BY	DATE			
JWIENER	2010/02/24			
MATERIAL NO.	DOCUMENT NO.			
SEE SHEET 1	SD-73415-096			
SIZE	THIS DRAWING CONTAINS INFORMATION THAT IS PROPRIETARY TO MOLEX INCORPORATED AND SHOULD NOT BE USED WITHOUT WRITTEN PERMISSION			

MATERIAL NO.		DOCUMENT NO.	SHEET NO.
SEE SHEET 1		SD-73415-096	4 OF 4
MOLLEX MOLEX INCORPORATED			