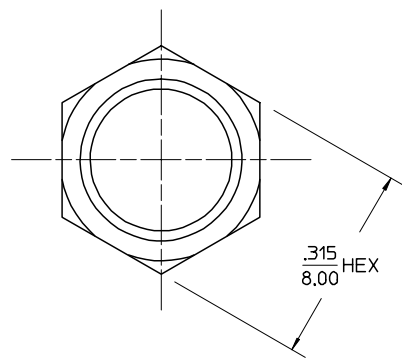
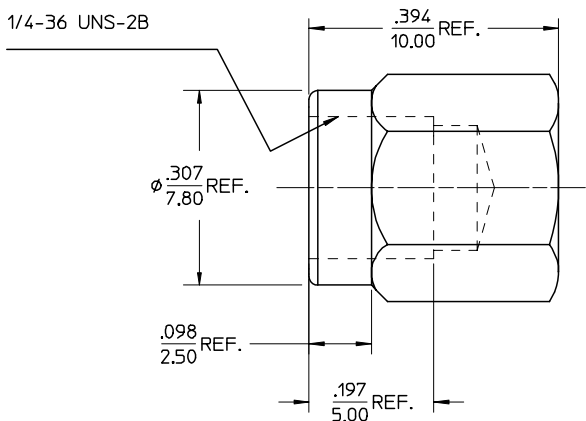


MATERIAL & PLATING :  
 BODY : BRASS  
 GOLD PLATED 1 MICROINCH MIN.



PART NO.# SD-73391-0741

UBORD.DGN REV A 96/06/12 LEVEL 4	A	CHG: NEW RELEASED EC NO. RF04-167 DRWN: DARRY JUN.08'04 CHK: KERRIE CHEN APPR: MISEN HUANG CHG: ADD P/NO.	2	EC NO. URF-XXXX DRWN: DARRY MAR.29'04 CHK: KERRIE CHEN APPR: MISEN HUANG	1	CHG: NEW RELEASED PDR04-038 EC NO. URF-XXXX DRWN: DARRY MAR.02'04 CHK: KERRIE CHEN APPR: MISEN HUANG	DESCRIPTION	UNLESS OTHERWISE SPECIFIED DIMS ARE INCHES AND ANGLES ARE DEGREES. 1. ✓ 63 ALL OVER. 2. NO CHATTER OR NON-UNIFORM SURFACE FINISH ALLOWED. 3. PARTS TO BE FREE OF BURRS & SHARP EDGES .005 MAX BREAK, & EXTERNAL THREADS TO BE ROLLED OR SINGLE POINT. 4. EXTERNAL THREADS TO BE ROLLED OR SINGLE POINT. 5. DIAMETERS TO BE CONCENTRIC WITHIN .003 TIR.	QUALITY SYMBOLS MAJOR CRITICAL	GENERAL TOLERANCES: (UNLESS SPECIFIED)		SCALE	DESIGN UNITS <input type="checkbox"/> mm <input checked="" type="checkbox"/> INCH	THIRD ANGLE PROJECTION	DIMENSIONS: <input type="checkbox"/> mm <input checked="" type="checkbox"/> INCH <input type="checkbox"/> mm ONLY		1	A
										4 PLACES * — * 3 PLACES * — * 2 PLACES * 0.13 * ---- 1 PLACE * 0.25 * ----	mm	INCH	DRAWN BY & DATE DARRY MAR.02'04	TITLE: NUT, COUPLING, SMA SMA-NC		SHT	REV	
		A	2	1					DRAFT WHERE APPLICABLE MUST REMAIN WITHIN DIMENSIONS		APPROVED BY & DATE	CAD FILENAME	MATERIAL NO. SEE NOTE	DRAWING NO. SD-73391-074	SHEET NO. 1 of 1		SIZE B	
										ANGULAR: ±2°		THIS DRAWING CONTAINS INFORMATION THAT IS PROPRIETARY TO MOLEX INCORPORATED AND SHOULD NOT BE USED WITHOUT WRITTEN PERMISSION.						